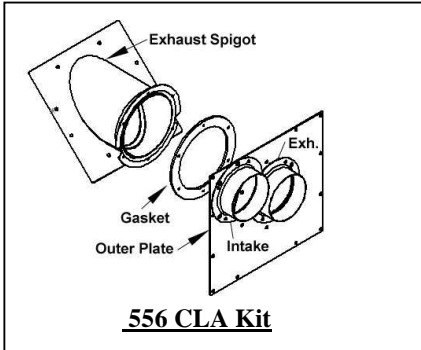




Model 534/535 Direct Vent Installed as an Insert Using Model 556 Co-Linear Adapter

April '04

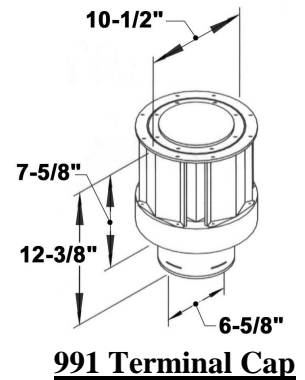
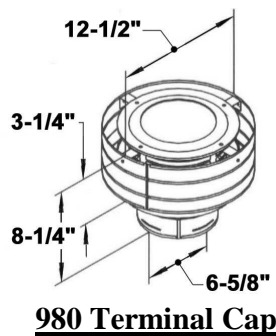
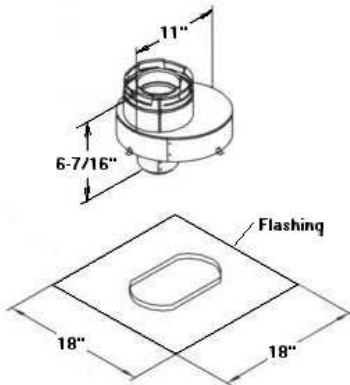


General

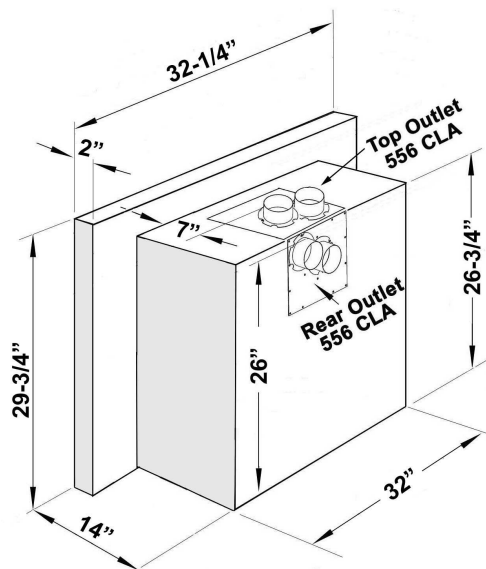
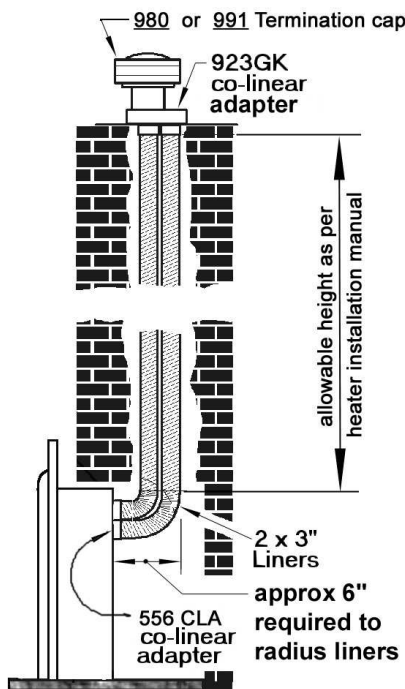
The 556 CLA Co-Linear adapter is a field installed kit to convert listed direct vent heaters from solid co-axial piping to flexible 3", side by side, co-linear piping for installation into existing solid fuel fireplaces and chimneys. Co-linear piping can not be used in combustible fireplace and chimney cavities. The 556 CLA may be fitted to the Top or Rear outlet of the 534 model heaters and Top outlet only of 535 model heaters. This kit is for vertical termination only – not sidewall.

A Simpson Dura-Vent 923GK and either a 980 or 991 Terminal cap are required to complete the termination of the co-linear chimney system.

Note : Venting limitations and restrictors are as per those listed for co-axial venting in the heater installation manual



923 GK Adapter & Flashing



Rear View of Heater (Z.C shielding removed)