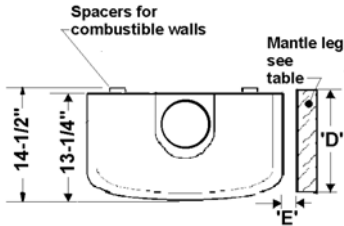




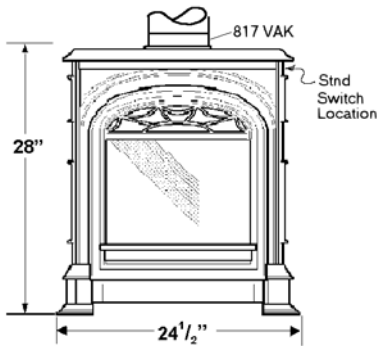
Model 530 Free Standing Top Outlet Direct Vent

May 2000

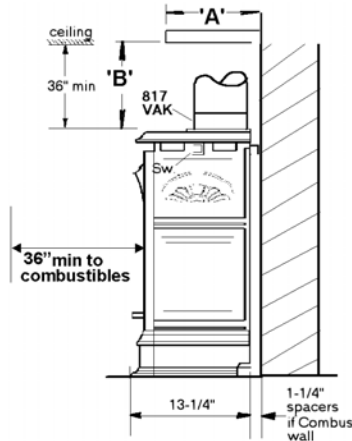


Top View

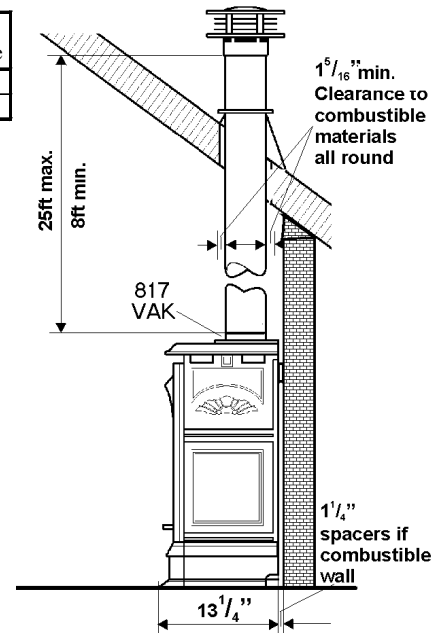
'A'	'B'	'D'	'E'
mantle depth	min. clearance	mantle projection	min. clearance
0-12"	4"	0-8"	1"
12-18"	8"	8+ "	6"
18+ "	Add extra 1" for every 1" increase in depth		



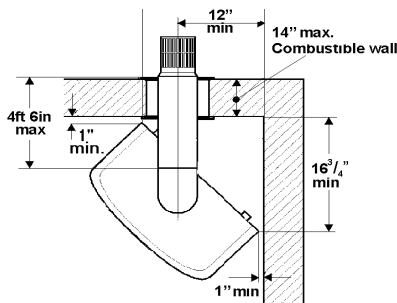
Front View



Side View

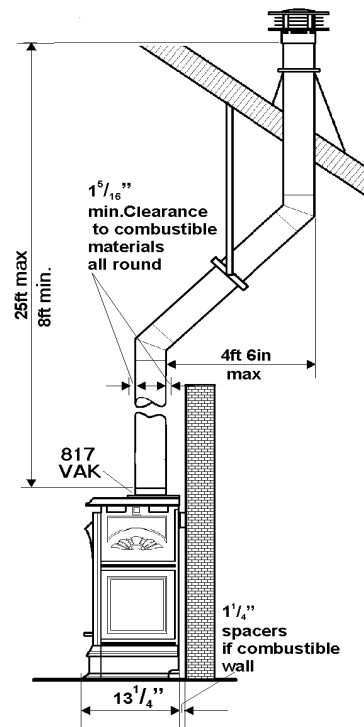


Thru Roof

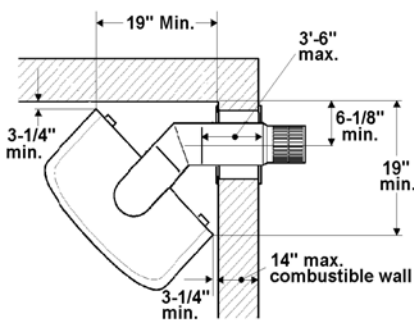


Corner

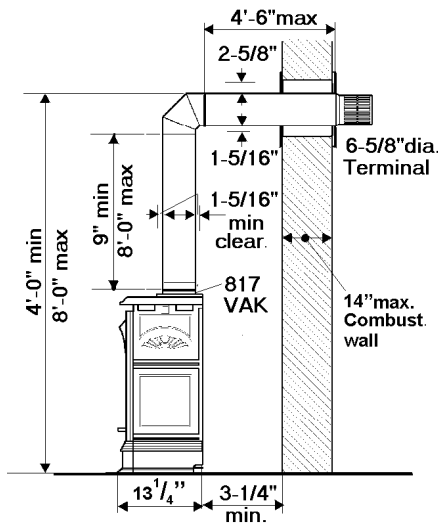
Max. Vent Configuration
2-90 deg. Elbows
or Equivalent



Thru Roof w/ Offset



Corner w/ Offset



Thru Wall



Phone 1 - 800 - GO - VALOR
www.valorflame.com