



# 530 B-VENT GAS FIREPLACE HEATER

## Installation & Operating Instructions

*Please read this manual before installing and operating this heater.  
This manual should remain with the homeowner.*

**USE THIS MANUAL IN CONJUNCTION WITH THE MANUAL SUPPLIED  
WITH THE 530X ENGINE**

**WARNING:** If the information in these instructions is not followed exactly, a fire or explosion may result causing property damage, personal injury or loss of life.

Do not store or use gasoline or other flammable vapours and liquids in the vicinity of this or any other appliance.

### WHAT TO DO IF YOU SMELL GAS

- Do not try to light the appliance.
- Do not touch any electrical switch; do not use any phone in your building.
- Immediately call your gas supplier from a neighbor's phone. Follow the gas supplier's instructions.
- If you cannot reach your gas supplier, call the fire department.

Installation and service must be performed by a qualified installer, service agency or the gas supplier.

This appliance is a domestic room-heating appliance. It must not be used for any other purposes such as drying clothes, etc.

This appliance is suitable for installation in a bedroom or bed sitting room.

Manufactured by  
**MILES INDUSTRIES LTD.**  
British Columbia, Canada  
[www.milesfireplaces.com](http://www.milesfireplaces.com)

Vous pouvez vous procurer un exemplaire français de ce manuel auprès de votre marchand.

# Safety and Warning Information

**READ** and **UNDERSTAND** all instructions carefully before starting the installation. **FAILURE TO FOLLOW** these installation instructions may result in possible fire hazard and will void the warranty.

Prior to the first firing of the fireplace, **READ** the Owner's Information Section of this manual.

**DO NOT USE** this appliance if any part has been under water. Immediately, **CALL** a qualified service technician to inspect the unit and to replace any part of the control system and any gas control that has been under water.

**THIS UNIT IS NOT FOR USE WITH SOLID FUEL.**

Installation and repair should be **PERFORMED** by a qualified service person. The appliance and venting system should be **INSPECTED** before initial use and at least annually by a professional service person. More frequent cleaning may be required due to excessive lint from carpeting, bedding, etc. It is **IMPERATIVE** that the units control compartment, burners, and circulating air passageways **BE KEPT CLEAN** to provide for adequate combustion and ventilation air.

Always **KEEP** the appliance clear and free from combustible materials, gasoline, and other flammable vapors and liquids.

**NEVER OBSTRUCT** the flow of combustion and ventilation air. Keep the front of the appliance **CLEAR** of all obstacles and materials for servicing and proper operation.

Due to the high temperature, the appliance should be **LOCATED** out of traffic areas and away from furniture and draperies. Clothing or flammable material **SHOULD NOT BE PLACED** on or near the appliance.

Children and adults should be **ALERTED** to the hazards of high surface temperature and should **STAY AWAY** to avoid burns or clothing ignition. Young children should be **CAREFULLY SUPERVISED** when they are in the same room as the appliance.

This unit **MUST** be used with a vent system as described in this Installation manual. **NO OTHER** vent system or components **MAY BE USED**.

This gas fireplace and vent assembly **MUST** be vented directly to the outside and **MUST NEVER** be attached to a chimney serving a separate solid fuel burning appliance. Each gas appliance **MUST USE** a separate vent system. Common vent systems are **PROHIBITED**.

**INSPECT** the external vent cap on a regular basis to make sure that no debris is interfering with the air flow.

The glass door assembly **MUST** be in place and sealed before the unit can be placed into safe operation.

**DO NOT OPERATE** this appliance with the glass door removed, cracked, or broken. Replacement of the glass door should be performed by a licensed or qualified service person. **DO NOT** strike or slam the glass door.

The glass door assembly **SHALL ONLY** be replaced as a complete unit, as supplied by the fireplace manufacturer. **NO SUBSTITUTE** material may be used.

**DO NOT USE** abrasive cleaners on the glass door assembly. **DO NOT ATTEMPT** to clean the glass door when it is hot.

Turn off the gas before servicing this appliance. It is recommended that a qualified service technician perform an appliance check-up[ at the beginning of each heating season.

Any safety screen or guard removed for servicing must be replaced before operating this appliance.

**DO NOT** place furniture or any other combustible household objects within 36" of the fireplace front.

# Options

Heater engine unit #530XAN/P/XCN/P and B-vent conversion kit #552BVK is used with all installations.

The 530 B-Vent installation requires the cast iron stove #531CSB—Cast Stove Black.

## Additional optional features

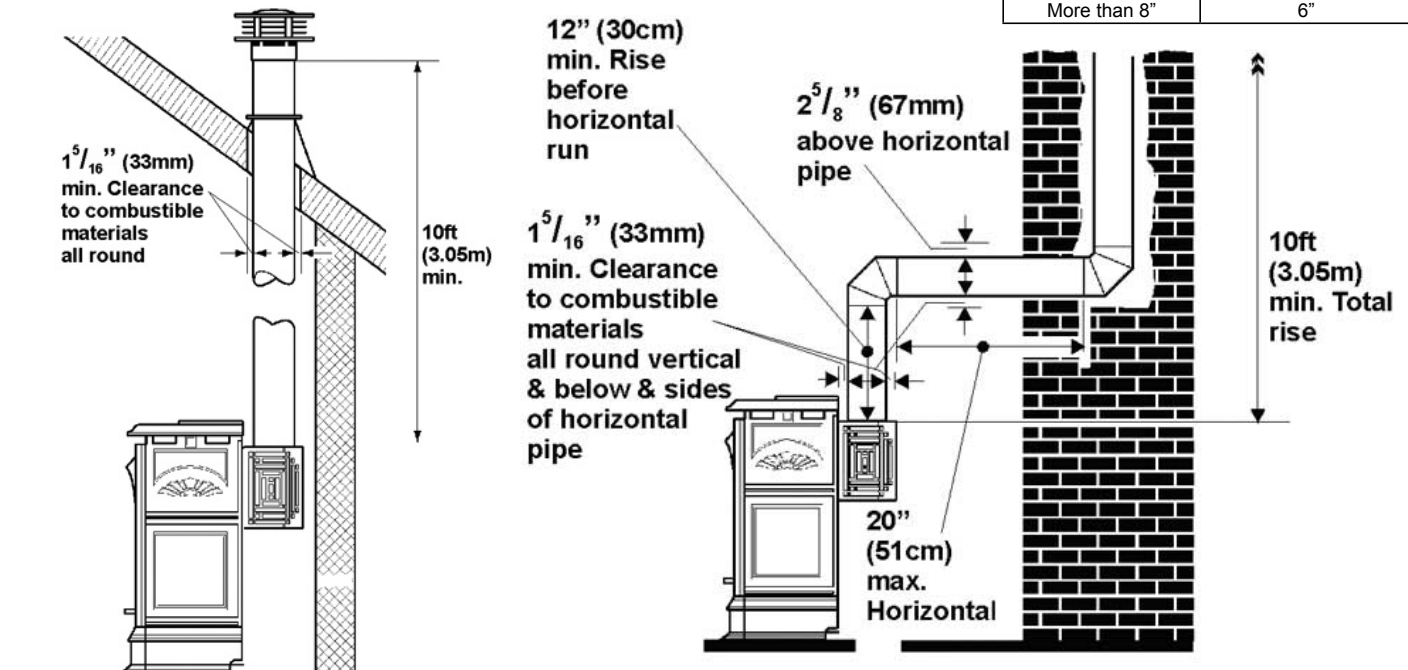
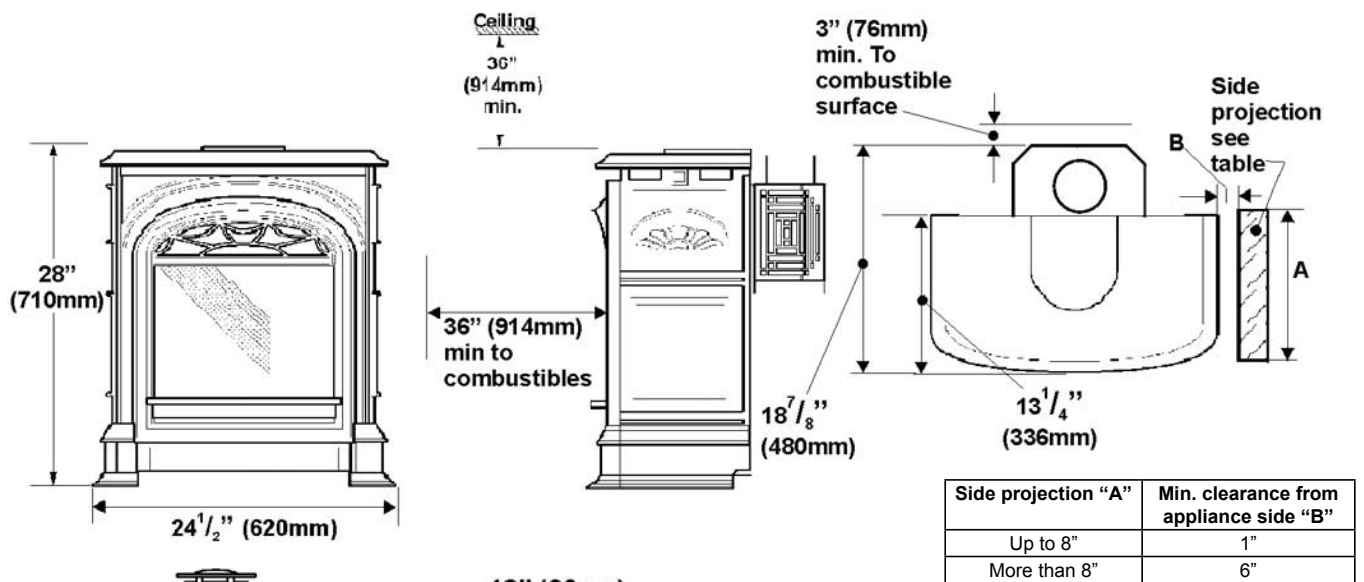
### Circulating Fan Kit #555CFK.

Having variable speed and temperature control, it is designed to boost the natural convection process through the appliance. It may be fitted before the fireplace is installed or retrofitted at a later date.

### LPG Conversion Kit #554LPK.

Burner & injector kit for conversion from natural gas to propane.

## Dimensions & Clearances



# General

## Approvals & codes

This appliance is certified by International Approval Services for use in Canada and the USA. The appliance is for installation connected to an approved 4" metal B type vent.

This appliance is supplied for use with natural gas. It can be converted for use with LP gas with Kit #554LPK.

The appliance complies with CGA P.4.1, Testing method for measuring annual fireplace efficiencies. The installation must conform with local codes or, in the absence of local codes with the National Fuel Gas Code, ANSI Z223.1 or the Canadian installation code CAN/CGA-149. Only qualified licensed or trained personnel should install the appliance.

## Ratings

	Natural Gas	Propane Gas <sup>1</sup>
Altitude (ft)	0–4,500 <sup>2</sup>	
Input Maximum (Btu/h)	20,500	19,000
Input Minimum (Btu/h)	6,500	12,500
Manifold Pressure (in w.c.)	3.5–3.9	10.3–10.7
Minimum Supply Pressure (in w.c.)	5.0	11.0

<sup>1</sup>When converted using kit #554LPK

<sup>2</sup>Tested to CAN/CGA - 2.17 Gas fired appliances for use at high altitudes. In the USA installations may require deration over 2000ft - Check local codes.

## Location

The President FS can be installed as a free standing unit with connected to a suitable type "B" vent or connected to an existing masonry chimney—see the section Dimensions & Clearances on page 3.

The installation **must** conform to the minimum clearance dimensions shown in Dimensions & Clearance on page 3.

An existing masonry chimney must be cleaned and checked to make sure that it is safe for use. Reline the chimney with an approved 4" flue liner installed according to the instructions supplied with the liner.

The appliance is suitable for fixing to the floor. If the appliance is installed directly on carpeting, tile or other combustible material other than wood flooring, it must be installed on a metal or wood panel extending the full width and depth of the appliance.

**CAUTION! A GAS APPLIANCE MUST NOT BE CONNECTED TO A CHIMNEY FLUE SERVING A SEPARATE SOLID-FUEL BURNING APPLIANCE.**

## Supply Gas

- All appliances are supplied for installation with natural gas. The supply pressure must be between the limits shown in section Ratings of this manual.
- The supply connection is 3/8”NPT.
- The opening for the gas supply line is at the rear left corner of the appliance.

## Pack Contents

### #552BVK B-Vent Conversion Kit

- 1 B-vent adapter unit with vent switch
- 1 Thermocouple interrupter
- 1 Case rear cover plate
- 2 “P” clips (for wire fastening)

Take care when removing the contents from the packaging to prevent damage. Check that all the contents are in the packs and are undamaged.

**Note: The restrictor plates supplied with the 530 engine are NOT required for the B-vent installation.**

# Appliance Preparation

Detach the window.

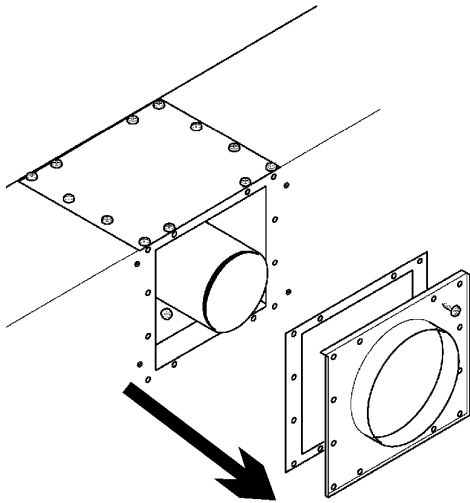
Refer to the Installation Instructions supplied with the 530 Engine.

Check ignition spark.

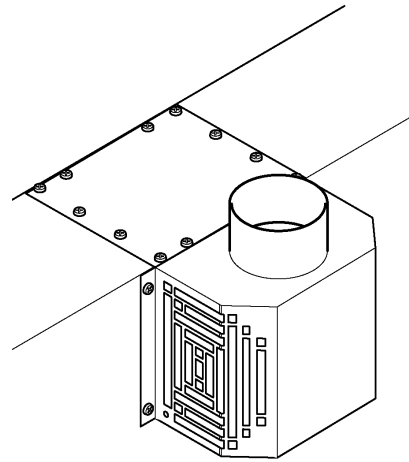
Refer to the Installation Instructions supplied with the 530 Engine.

## B-Vent Conversion Kit Installation

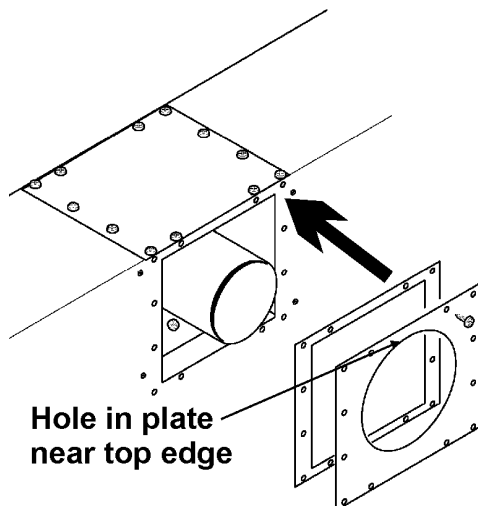
1. Remove the rear outlet vent collar and seal by unscrewing 12 screws.



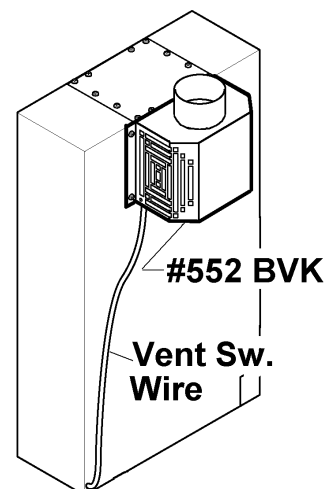
3. Remove 4 screws from the case back (2 each side just outside of the cover plate). Fit the adapter unit to the case using these screws.



2. Fit the rear cover plate (supplied with the kit) using the seal and 12 screws previously removed. The hole in the cover plate must be nearest the top edge.

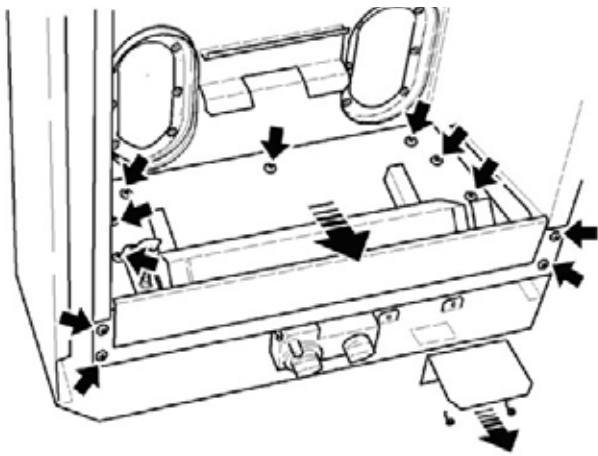


4. Fit a "P" clip at the bottom rear right corner of the appliance case. Fit the vent switch wire to the clip. Feed the wire into the case through the hole at the bottom corner.

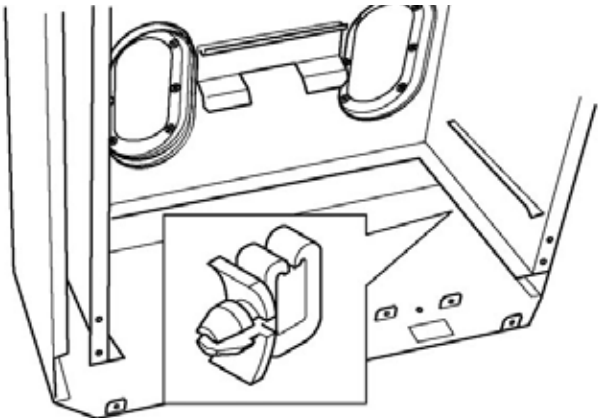


## Adapting Burner Module

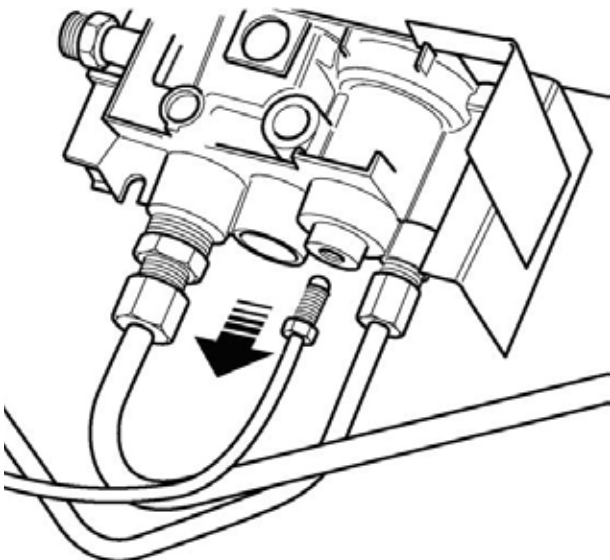
1. Detach the battery shield by removing two screws.
2. Detach the burner module by removing 11 screws.



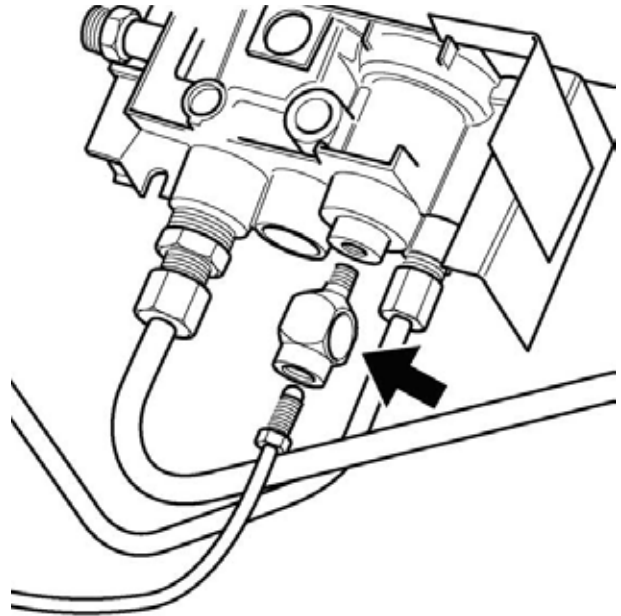
3. Fit a "P" clip at the right side of the inside of the case. Fit the vent switch wire to the clip.



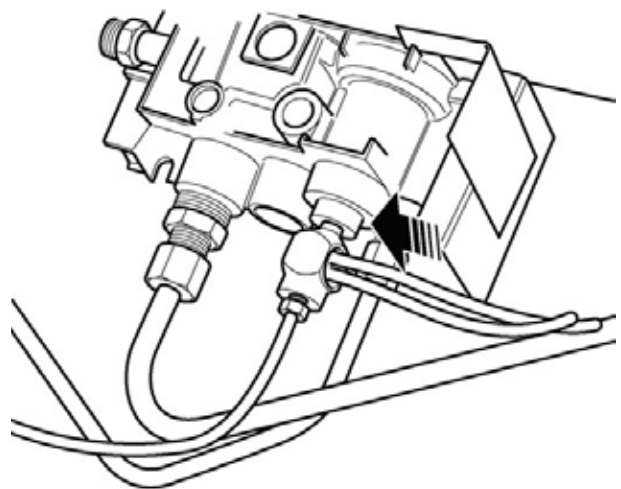
4. Disconnect the thermocouple from the regulator block.



5. Fit the thermocouple interrupter block to the valve. Do not overtighten. Finger tighten approximately 1/4 of a turn.



6. Connect the vent switch wires into the thermocouple interrupter block. Screw the thermocouple into the interrupter block until finger tight. Make sure that the wires are properly located and finally tighten the thermocouple nut (approx. 1/4 turn) with a wrench to secure the wires with good contact.



7. If the appliance is to be fixed to the floor, don't attach the burner module to the appliance yet. Wait until the appliance is accurately positioned with the B-vent attached. The holes in the appliance base for floor fixing are not accessible when the burner module is fitted.

Attaching top air deflector

Refer to the Installation Instructions supplied with the 530 engine.

Floor Fixing

Refer to the Installation Instructions supplied with the 530 engine.

## **Venting & Appliance Fixing**

Refer to the Installation Instructions supplied with the 530 engine.

## **Gas Supply Installation**

Refer to the Installation Instructions supplied with the 530 engine.

## **Aeration Setting Check**

Refer to the Installation Instructions supplied with the 530 engine.

## **Ceramic Fuel Bed Installation**

Refer to the Installation Instructions supplied with the 530 engine.

## **Window Refitting & Checking**

Refer to the Installation Instructions supplied with the 530 engine.



# Operation Checks

## Burner operation

Refer to the Installation Instructions supplied with the 530 Engine.

## Aeration adjustment

Refer to the Installation Instructions supplied with the 530 Engine.

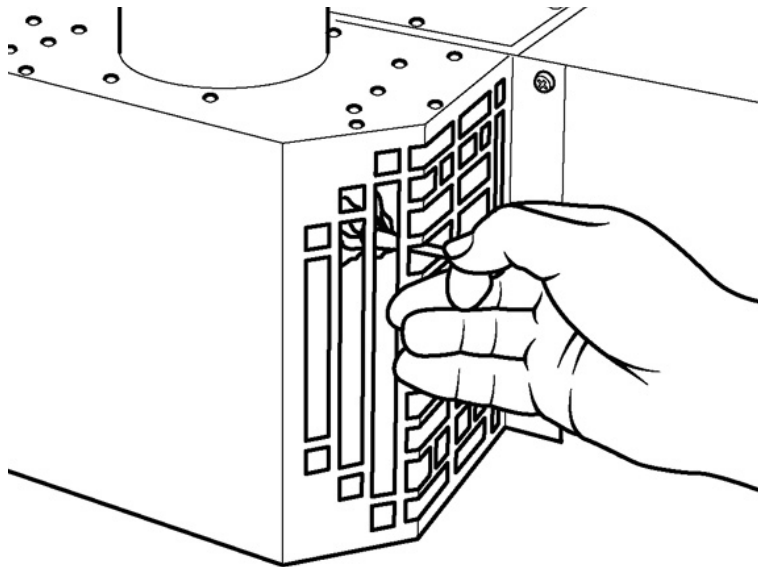
## Venting

A check for correct venting of combustion products must be made before the installed heater is left with the customer. The test should be made in the following manner.

1. Light the heater.
2. Turn the gas control to the **ON** position and thermostat to the highest setting.
3. After the appliance has been alight for five minutes place smoke match or taper inside the opening in the B-vent adapter box. See figure below.

The installation is satisfactory if the smoke is drawn into the adapter box and up to the vent pipe. If the vent is blocked or has strong reverse flow, the thermally actuated switch mounted in the adapter box will automatically shut off the gas supply within about ten minutes. If the smoke is not drawn in, leave for about ten minutes and then try again.

If the smoke is still not drawn into the adapter and vent pipe, turn the heater off and check cause of lack of draft, if necessary get expert advice.



## Installation Completion

Refer to the Installation Instructions supplied with the 530 engine.