

Valor[®] Portrait

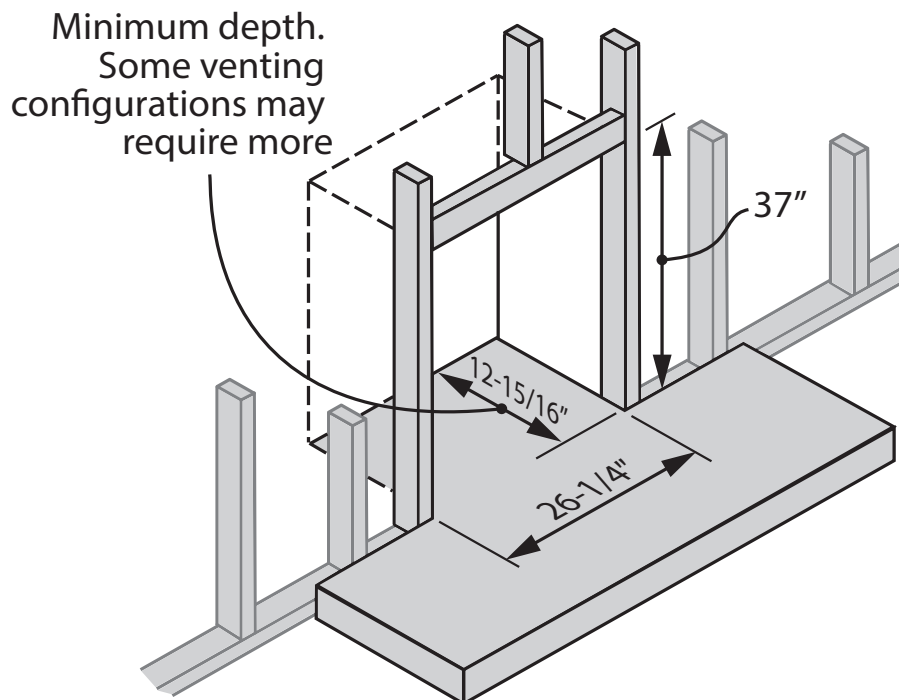
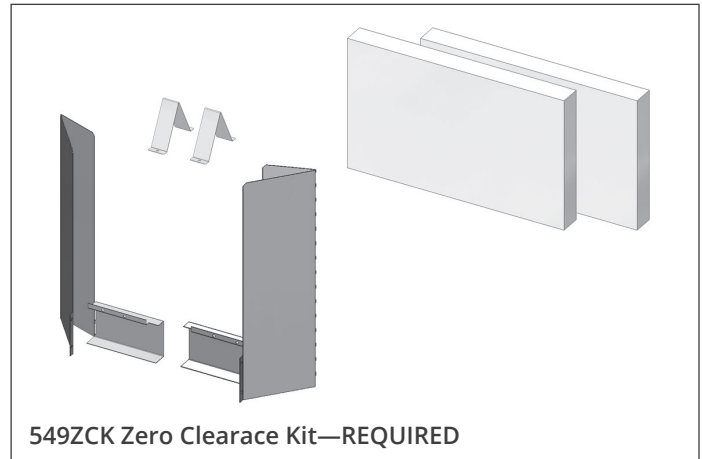
Dec 2022

1/2

ZC 549 Arches—Framing

Framing

- The framing dimensions for installation of the 530 heater with the models 549 Arch Fronts is shown below.
- A non-combustible hearth is not necessary in front of the 530 heater.
- The 530 is approved for installation directly on any combustible material **other than** soft flooring material such as carpet or vinyl.
- Any framing construction must be clear of the stand-offs—see Dimensions & Clearances.
- A hearth or floor, flush with the bottom of the heater, will be required to support the removable hearth fender.

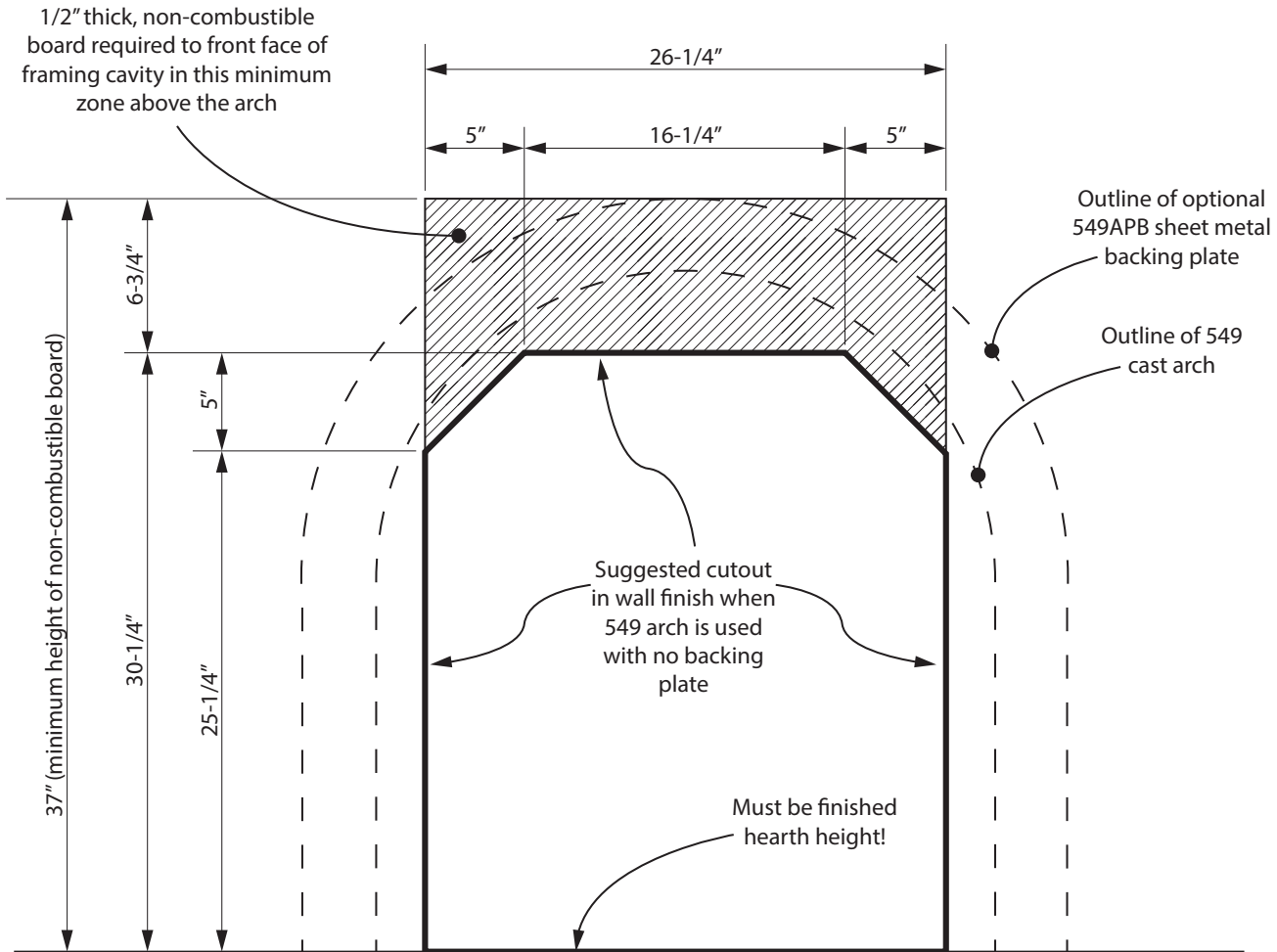


Valor[®] Portrait

Dec 2022
2/2

ZC 549 Arches—Wall Finish

Wall Finish Requirements



Note

When positioning the heater, the flanges on the top baffle and side mounting brackets will need to be flush with the finished wall surface. Position the heater forward of the framing to account for the total finished wall thickness.