

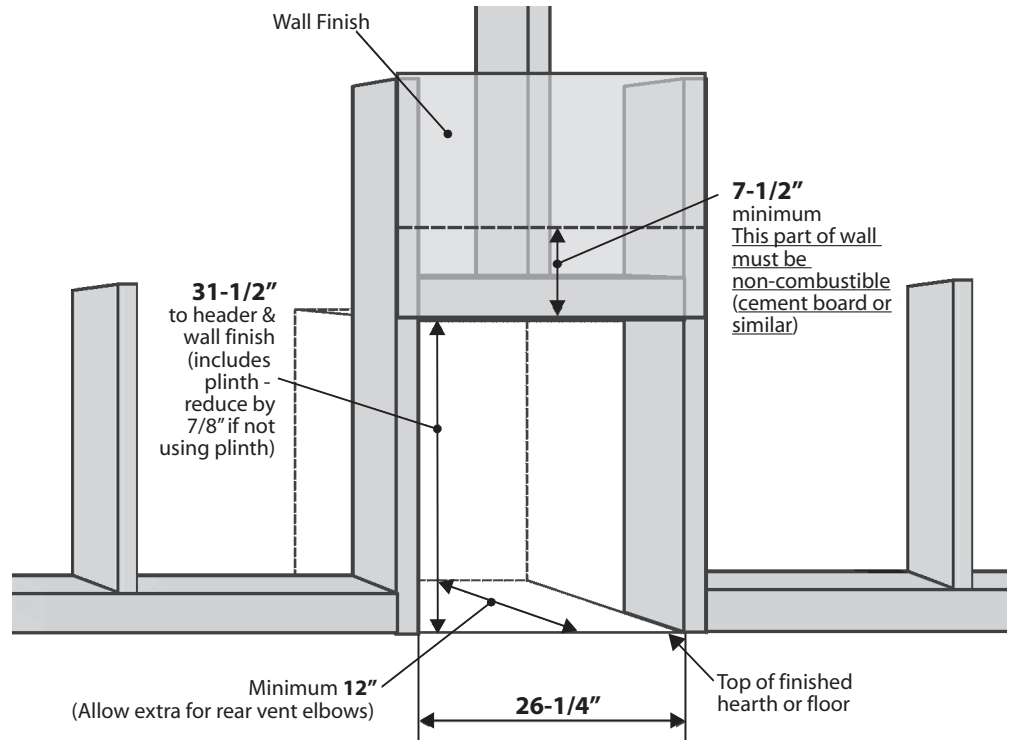
Valor® Portrait

Dec 2022

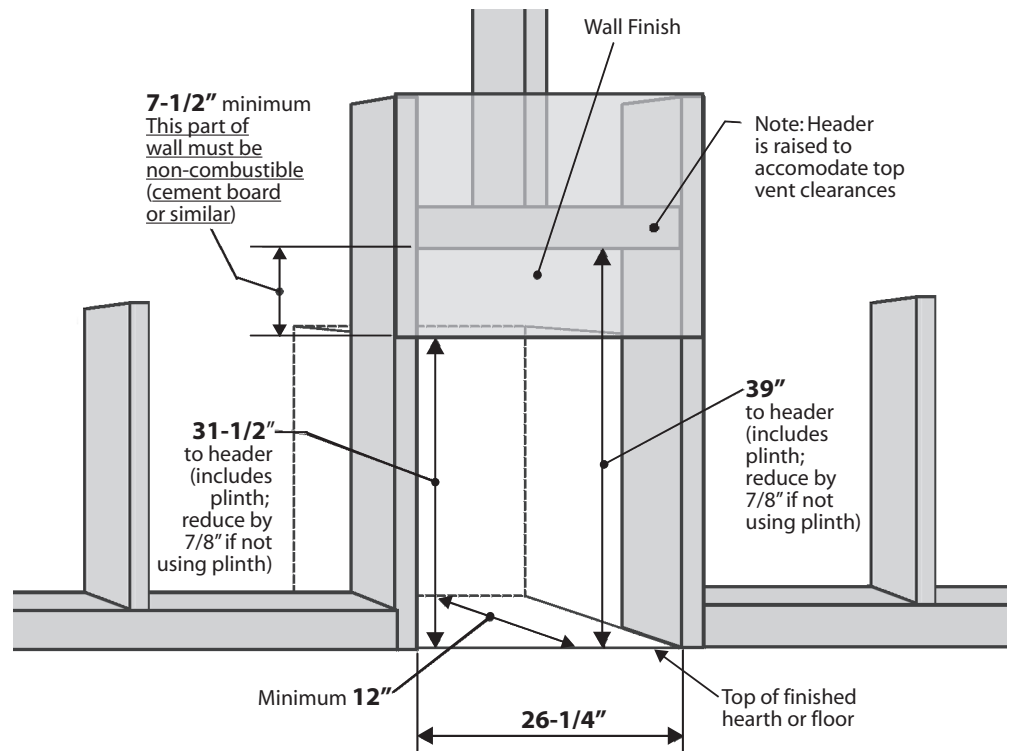
1/3

ZC 541 Bolero—Framing

Rear vent framing



Top vent framing



valor® Portrait

Dec 2022

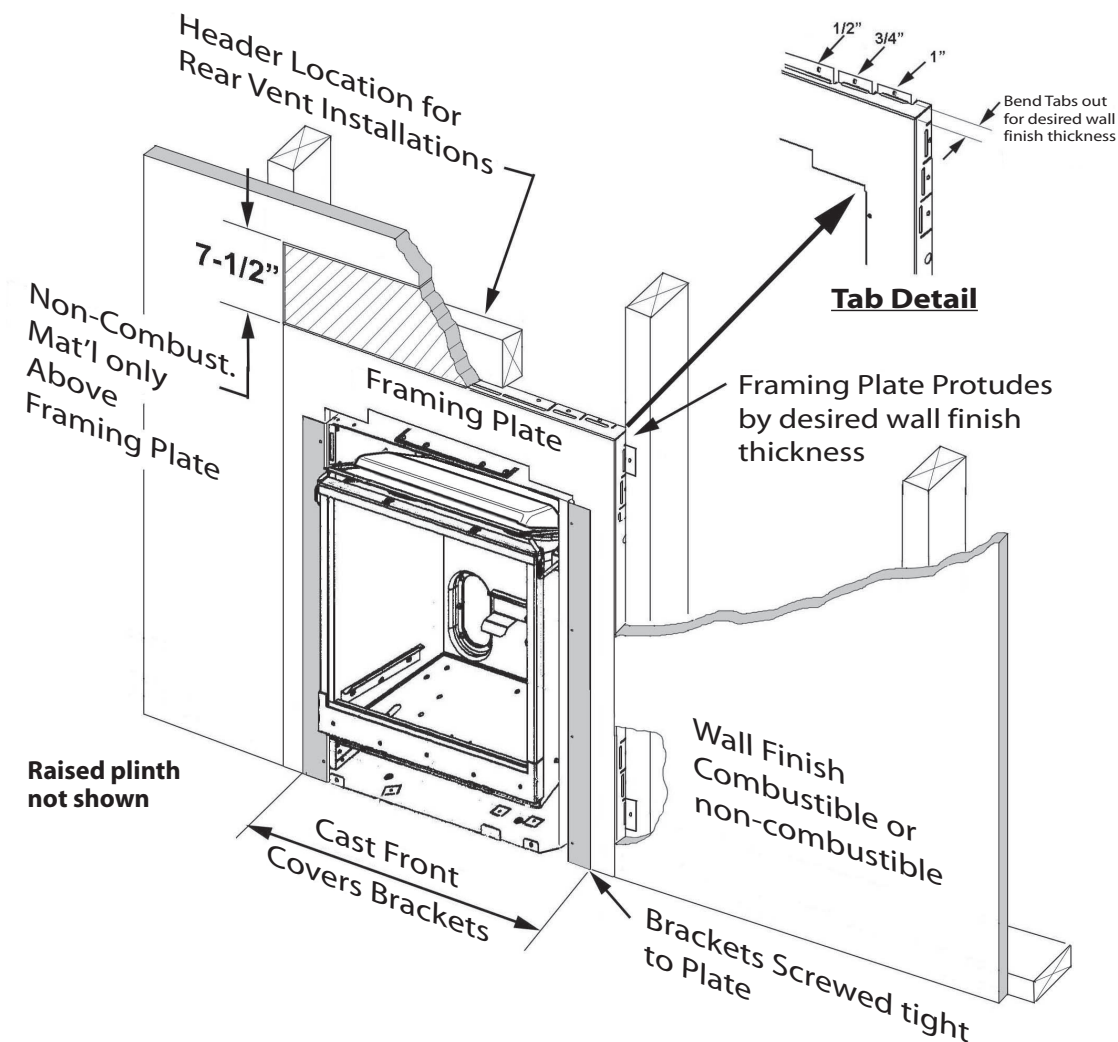
2/3

ZC 541 Bolero—Wall Finish

The 541BPC Bolero Front comes supplied with a framing plate for zero clearance applications. The framing plate is painted black and may be left exposed beyond the perimeter of the cast iron front or may be covered with non-combustible material if desirable.

- A non-combustible hearth is not necessary in front of this appliance.
- The appliance is approved to install directly on wood sub-flooring.
- Any framing construction must be clear of stand-offs.
- Be aware that the area of 7½" x 26¼" (19 cm x 67 cm) immediately above the framing plate must be constructed with non-combustible materials as shown in figures below and next page.

Framing plate exposed



valor[®] Portrait

Dec 2022

3/3

ZC 541 Bolero—Wall Finish

Framing plate covered

