

# Valor Legend

(Model 736CN)



## REPAIR PARTS LIST

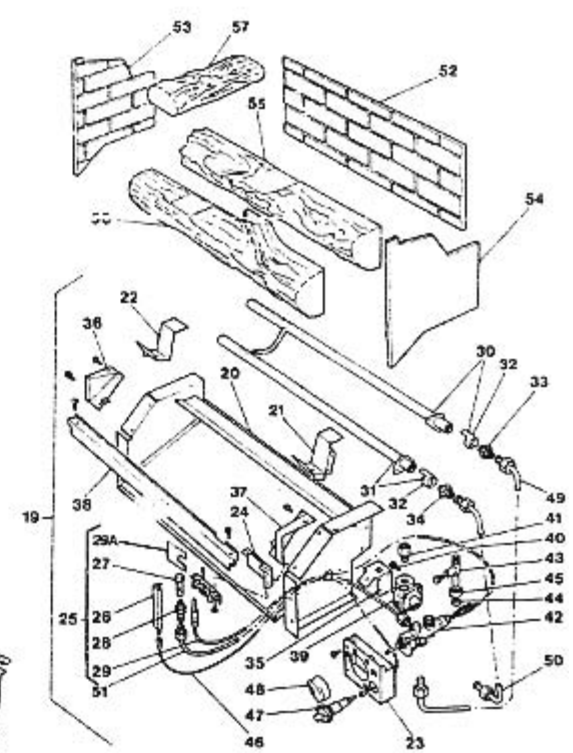
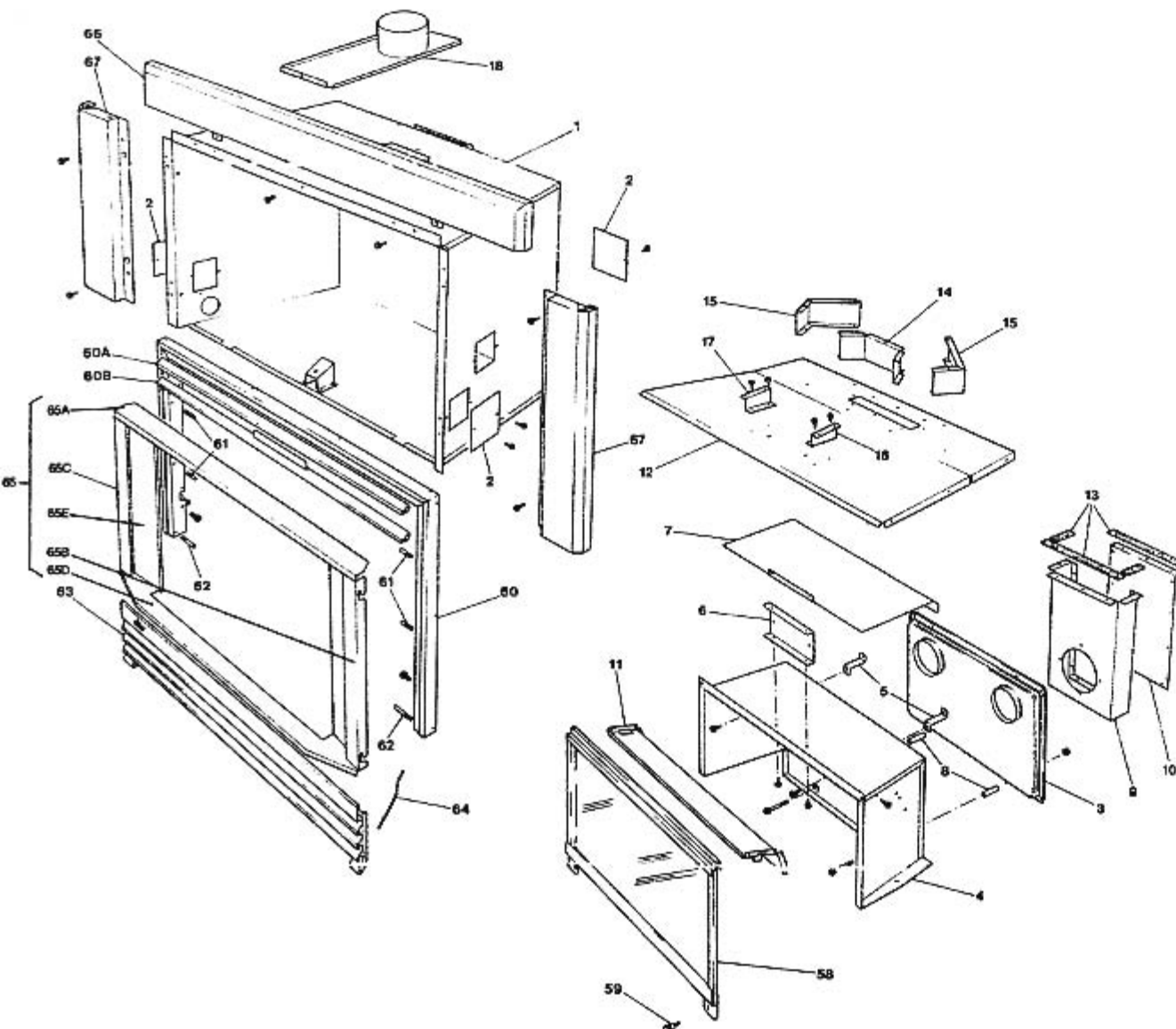
**Valor HEATING LIMITED**  
ERDINGTON · BIRMINGHAM B24 9QP · ENGLAND

Distributed by:

**MILES**  
INDUSTRIES LTD  
829 Third Street West,  
NORTH VANCOUVER, B.C. V7P 3K7  
Phone (604) 984-3496

Because our Policy is one of constant development and improvement,  
details may vary slightly from those given in this publication.

Vous pourrez vous procurer un exemplaire en langue Française de  
cette chez brochure votre concessionnaire.



| KEY No. | DESCRIPTION                             | QUANTITY PER APPLIANCE | PART No. |
|---------|---|------------------------|----------|
| 1       | Case                                    | 1                      | 520429   |
| 2       | Cover Plate                             | 3                      | 520439   |
| 3       | Heat Exchanger                          | 1                      | 520449   |
| 4       | Fire Box                                | 1                      | 520459   |
| 5       | Upper Fire Box Spacer                   | 2                      | 520469   |
| 6       | Fire Box Support                        | 1                      | 520479   |
| 7       | Convection Air Baffle                   | 1                      | 520489   |
| 8       | Lower Fire Box Spacer                   | 2                      | 520499   |
| 9       | Collector Box Body                      | 1                      | 520509   |
| 10      | Collector Box Back                      | 1                      | 520519   |
| 11      | Fire Box Baffle                         | 1                      | 520529   |
| 12      | Divider Panel                           | 1                      | 520539   |
| 13      | Seal - Collector Box/Divider            | 1                      | 520549   |
| 14      | Deflector                               | 1                      | 520559   |
| 15      | Down Draft Side Deflector               | 2                      | 520569   |
| 16      | Spacer - Right Side Divider             | 1                      | 520579   |
| 17      | Spacer - Left Side Divider              | 1                      | 520589   |
| 18      | Vent Connector Unit                     | 1                      | 520599   |
| 19      | Burner & Manifold Module                | 1                      | 520609   |
| 20      | Burner Box                              | 1                      | 520619   |
| 21      | Log Support Right Side                  | 1                      | 520629   |
| 22      | Log Support Left Side                   | 1                      | 520639   |
| 23      | Control Bracket                         | 1                      | 520649   |
| 24      | Pilot Bracket                           | 1                      | 520659   |
| 25      | Pilot Complete Unit                     | 1                      | 521949   |
| 26      | Electrode                               | 1                      | 508779   |
| 27      | Pilot Head                              | 1                      | 508789   |
| 28      | Pilot Gas Jet                           | 1                      | 522779   |
| 29      | Thermocouple                            | 1                      | 508809   |
| 29A     | Pilot Gauze                             | 1                      | 521939   |
| 30      | Rear Burner Rail with Aeration Shutter  | 1                      | 520689   |
| 31      | Front Burner Rail with Aeration Shutter | 1                      | 520689   |
| 32      | Aeration Shutter                        | 2                      | 520679   |
| 33      | Gas Jet - Rear Burner                   | 1                      | 520699   |
| 34      | Gas Jet - Front Burner                  | 1                      | 520709   |

| KEY No. | DESCRIPTION   | QUANTITY PER APPLIANCE | PART No. |
|---------|---|------------------------|----------|
| 35      | Regulator Bracket   | 1                      | 520719   |
| 36      | Burner Box Side Extension - Left Side   | 1                      | 520729   |
| 37      | Burner Box Side Extension - Right Side  | 1                      | 520739   |
| 38      | Air Guide Bar   | 1                      | 520749   |
| 39      | Regulator   | 1                      | 508199   |
| 40      | Screw - Regulator Fixing  | 2                      | 548609   |
| 41      | Gas Supply Line Connector   | 1                      | 506429   |
| 42      | Control Valve -<br>For Serial No.s without Suffix                               | 1                      | 520759   |
|         | For Serial No.s with Suffix 'B'   | 1                      | 521539   |
| 43      | Pressure Test Tapping Unit with Nut & Olive -<br>For Serial No.s without Suffix | 1                      | 520769   |
|         | For Serial No.s with Suffix 'B'   | 1                      | 521549   |
| 44      | Olive for Test Tapping Unit -<br>For Serial No.s without Suffix                 | 1                      | 520779   |
|         | For Serial No.s with Suffix 'B'   | 1                      | 519779   |
| 45      | Olive Nut for Test Tapping Unit -<br>For Serial No.s without Suffix             | 1                      | 520789   |
|         | For Serial No.s with Suffix 'B'   | 1                      | 521559   |
| 46      | Electrode Lead  | 1                      | 542349   |
| 47      | Ignition Spark Generator  | 1                      | 554909   |
| 48      | Control Knob  | 1                      | 520799   |
| 49      | Pipe - Control Valve to Rear Burner -<br>For Serial No.s without Suffix         | 1                      | 520809   |
|         | For Serial No.s with Suffix 'B'   | 1                      | 521569   |
| 50      | Pipe - Control Valve to Front Burner -<br>For Serial No.s without Suffix        | 1                      | 520819   |
|         | For Serial No.s with Suffix 'B'   | 1                      | 521589   |
| 51      | Pipe - Control Valve to Pilot -<br>For Serial No.s without Suffix               | 1                      | 520829   |
|         | For Serial No.s with Suffix 'B'   | 1                      | 521579   |
| 52      | Ceramic Back Wall   | 1                      | 520839   |
| 53      | Ceramic Side Wall - Left Side   | 1                      | 520849   |
| 54      | Ceramic Side Wall - Right Side  | 1                      | 520859   |
| 55      | Rear Log  | 1                      | 520869   |

| KEY No. | DESCRIPTION                     | QUANTITY PER APPLIANCE | PART No. |
|---------|---------------------------------|------------------------|----------|
| 56      | Front Log                       | 1                      | 520879   |
| 57      | Cross Log                       | 1                      | 520889   |
| 58      | Window Unit                     | 1                      | 520899   |
| 59      | Knurled Screw for Window Fixing | 2                      | 548919   |
| 60      | Front Frame                     | 1                      | 520909   |
| 60A     | Upper Outlet Louvre             | 1                      | 521009   |
| 60B     | Center Outlet Louvre            | 1                      | 521019   |
| 61      | Inner Front Support Stud        | 4                      | 520919   |
| 62      | Bottom Grille Hinge Stud        | 2                      | 520929   |
| 63      | Bottom Grille                   | 1                      | 520939   |
| 64      | Bottom Grille Retaining Chain   | 2                      | 520949   |
| 65      | Inner Front                     | 1                      | 520959   |
| 65A     | Top Cross Member - Inner Front  | 1                      | 521959   |
| 65B     | Right Side - Inner Front        | 1                      | 521969   |
| 65C     | Left Side - Inner Front         | 1                      | 521979   |
| 65D     | Apron - Inner Front             | 1                      | 521989   |
| 65E     | Side Panel - Inner Front        | 2                      | 521999   |
| 66      | Outer Surround Top              | 1                      | 520969   |
| 67      | Outer Surround Side             | 2                      | 520979   |
| —       | Instruction Manual              | 1                      | 520989   |