



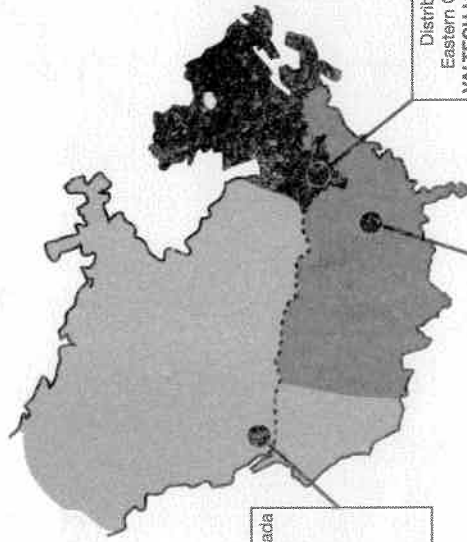
Valor

Legend REPAIR PARTS LIST for models

736AN and 736AP

(With Thermostat and Vent safety shutoff unit)

Manufactured by
VALOR HEATING
Birmingham, England

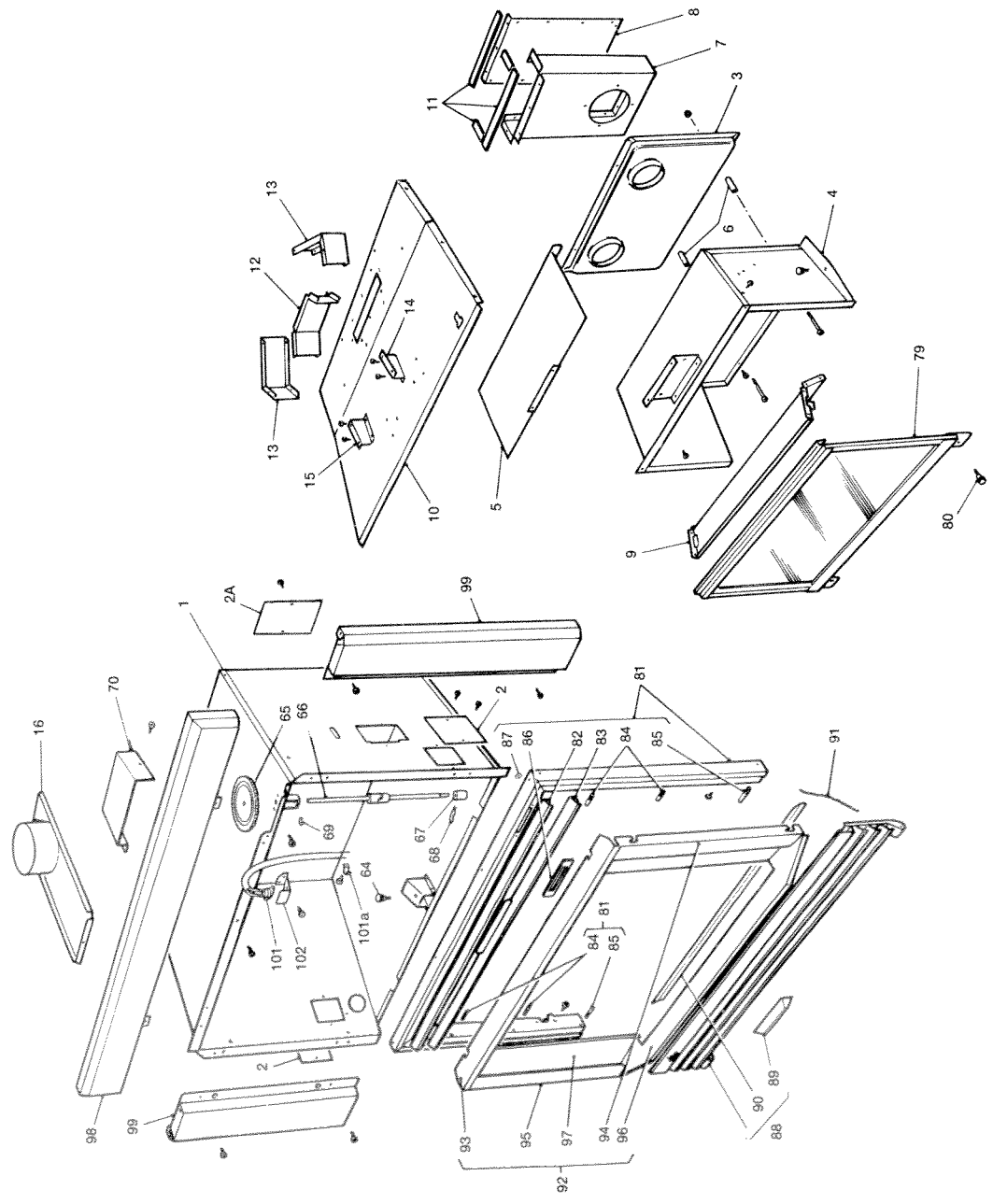
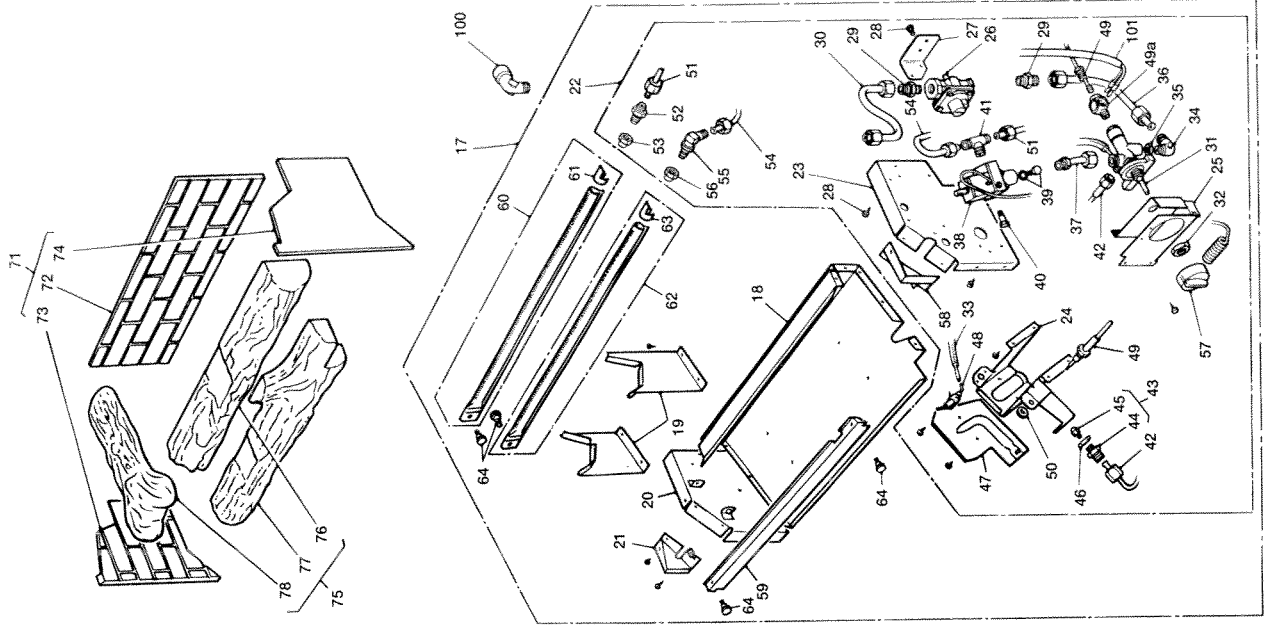


Distributed in Western Canada
and Western U.S.A. by
MILES INDUSTRIES
829 Third Street West
North Vancouver
B.C. V7P 3K7
Ph. (604) 984-3496
Fax (604) 984-0246

Distributed in
Eastern Canada by
VALTECH HEATING LTD
6660 Kennedy Road,
Mississauga,
Ontario, L5T 2M9
Ph. (905) 795-0333
Fax (905) 795-0336

Distributed in Central and
Eastern U.S.A. by
FRANK BRUMMETT
DISTRIBUTING
601 Hope Street,
Bowling Green, Ky. 42101
Ph. (502) 796-8406
Fax (502) 796-8421





KEY No	DESCRIPTION	QUANTITY PER APPLIANCE		PART No		KEY No	DESCRIPTION	QUANTITY PER APPLIANCE		PART No			
		Model		Model				Model		Model			
		736AN	736AP	736AN	736AP			736AN	736AP	736AN	736AP		
1	Case	1	1	520429	520429	37	Pipe - Valve to Thermostat	1		736AN	736AP	539709	539709
2	Cover Plate - Air circulation	2	2	520439	520439	38	Thermostat	1		539719	539969	539719	539969
2A	Cover Plate - Inlet opening	1	1	539559	539559	39	Thermostat By-Pass Screw	1		539729	539979	539729	539979
3	Heat Exchanger	1	1	520449	520449	40	Pressure Test Tapping Unit	1		539739	539739	539739	539739
4	Fire Box	1	1	520459	520459	41	T Coupling	1		539749	539749	539749	539749
5	Convection Air Baffle	1	1	520489	520489	42	Pipe - Valve to Pilot	1		539759	539759	539759	539759
6	Lower Fire Box Spacer	2	2	520499	520499	43	Pilot Injector & Carrier	1		525589	539989	525589	539989
7	Collector Box Body	1	1	520509	520509	44	Injector Carrier	1		522959	522959	522959	522959
8	Collector Box Back	1	1	520519	520519	45	Pilot Injector	1		522969	523169	522969	523169
9	Fire Box Baffle	1	1	520529	520529	46	Carrier Locknut	1		528839	528839	528839	528839
9A	Vent Thermostat	1	1	539569	539569	47	Pilot and Cross-Lighting Burner	1		522979	522979	522979	522979
9B	Vent Thermostat Bracket	1	1	540009	540009	48	Electrode	1		522989	522989	522989	522989
10	Divider Panel	1	1	539579	539579	49	Thermocouple	1		522999	522999	522999	522999
11	Seal - Collector Box/Divider	1	1	520549	520549	49A	Thermocouple Interruptor	1		522389	522389	522389	522389
12	Deflector	1	1	520559	520559	50	Thermocouple Locknut	1		547759	547759	547759	547759
13	Down Draft Side Deflector	2	2	520569	520569	51	Pipe - T Coupling to Rear Burner	1		539769	539769	539769	539769
14	Spacer - Right Side Divider	1	1	520579	520579	52	Gas Jet - Rear Burner	1		520699	539369	520699	539369
15	Spacer - Left Side Divider	1	1	520589	520589	53	Carrier - Burner Jet	1		523019	523019	523019	523019
16	Vent Connector Unit	1	1	520599	520599	54	Pipe - T Coupling to Front Burner	1		539779	539779	539779	539779
17	Burner & Manifold Module	1	1	540289	540329	55	Injector & Elbow	1		539789	539999	539789	539999
18	Burner Box Body	1	1	522849	522849	56	Carrier - Burner Jet	1		523019	523019	523019	523019
19	Front Log Support	2	2	522859	522859	57	Valve Control Knob	1		520799	520799	520799	520799
20	Burner Box Left Side	1	1	522869	522869	58	Burner Box Side Extension - Right Side	1		523059	523059	523059	523059
21	Burner Box Side Extension - Left Side	1	1	522879	522879	59	Air Guide Bar	1		520749	520749	520749	520749
22	Burner Box Right Side & Control Unit	1	1	540299	539959	60	Rear Burner with Aeration Shutter	1		523069	523069	523069	523069
23	Burner Box Right Side	1	1	522899	540339		Rear Burner	1					
24	Bracket for Pilot and Cross-Lighting Burner	1	1	522909	522909	61	Aeration Shutter	1		523079	523079	523079	523079
25	Valve Control Bracket	1	1	539609	539609	62	Front Burner with Aeration Shutter	1		523089	523089	523089	523089
26	Regulator	1	1	508199	508209	63	Aeration Shutter	1		523079	523079	523079	523079
27	Regulator Bracket	1	1	539629	539629	64	Knurled Screw	5		539799	539799	539799	539799
28	Screw - Regulator Fixing	2	2	548609	548609	65	Thermostat Control Wheel	1		539809	539809	539809	539809
29	Regulator Connector	2	2	539639	539639	66	Thermostat Control Linkage	1		539819	539819	539819	539819
30	Supply Inlet Pipe	1	1	539649	539649	67	Shaft Adaptor	1		539869	539869	539869	539869
31	Control Valve	1	1	539669	539669	68	1/2" Clip	1		539859	539859	539859	539859
32	Control Valve Locknut	1	1	502739	502739	69	1/2" Clip	1		539879	539879	539879	539879
33	Wire Insulation Sleeve	1	1	523049	523049	70	Thermostat Control Cover	1		539889	539889	539889	539889
34	Control Valve Elbow	1	1	539679	539679	71	Set of Ceramic Walls	1		523099	523099	523099	523099
35	Elbow Locknut	1	1	539689	539689	72	Ceramic Back Wall	1		520839	520839	520839	520839
36	Pipe - Regulator to Valve	1	1	539699	539699	73	Ceramic Side Wall - Left Side	1		520849	520849	520849	520849

KEY No	DESCRIPTION	QUANTITY PER APPLIANCE		PART No	
		Model		Model	
		736AN	736AP	736AN	736AP
74	Ceramic Side Wall - Right Side	1	1	520859	520859
75	Set of Ceramic Logs	1	1	523199	523199
76	Rear Log	1	1	520869	520869
77	Front Log	1	1	523209	523209
78	Cross Log	1	1	520889	520889
79	Window Unit	1	1	520899	520899
80	Knurled Screw	2	2	539799	539799
81	Front Frame	1	1	539899	539899
82	Upper Outlet Louvre	1	1	521009	521009
83	Center Outlet Louvre	1	1	521019	521019
84	Inner Front Support Stud	4	4	520919	520919
85	Bottom Grille Hinge Stud	2	2	520929	520929
86	Thermostat Control Bezel	1	1	539909	539909
87	Grip Washer	2	2	534419	534419
88	Bottom Grille	1	1	520939	520939
89	Grille Handle	1	1	525549	525549
90	Grille Heat Shield	1	1	524559	524559
91	Bottom Grille Retaining Chain	2	2	520949	520949
92	Inner Front	1	1	520959	520959
93	Top Cross Member - Inner Front	1	1	521959	521959
94	Right Side - Inner Front	1	1	521969	521969
95	Left Side - Inner Front	1	1	521979	521979
96	Apron - Inner Front	1	1	521989	521989
97	Side Panel - Inner Front	2	2	521999	521999
98	Outer Surround Top	1	1	539919	539919
99	Outer Surround Side	2	2	520979	520979
100	Supply Connection Elbow	1	1	548899	548899
101	Vent Shutoff Switch	1	1	540279	540279
101A	Wire Clamp	1	1	549719	549719
102	Vent Switch Bracket	1	1	540009	540009
	Instruction Manual	1	1	540309	540309