

VALOR



Homeflame

MODELS

475RB	-	N
475RB	-	P
475RP	-	N
475RP	-	P

REPAIR PARTS LIST

VALOR Inc.
Hendersonville, Tn.

Because our Policy is one of constant development and improvement, details may vary slightly from those given in this publication.

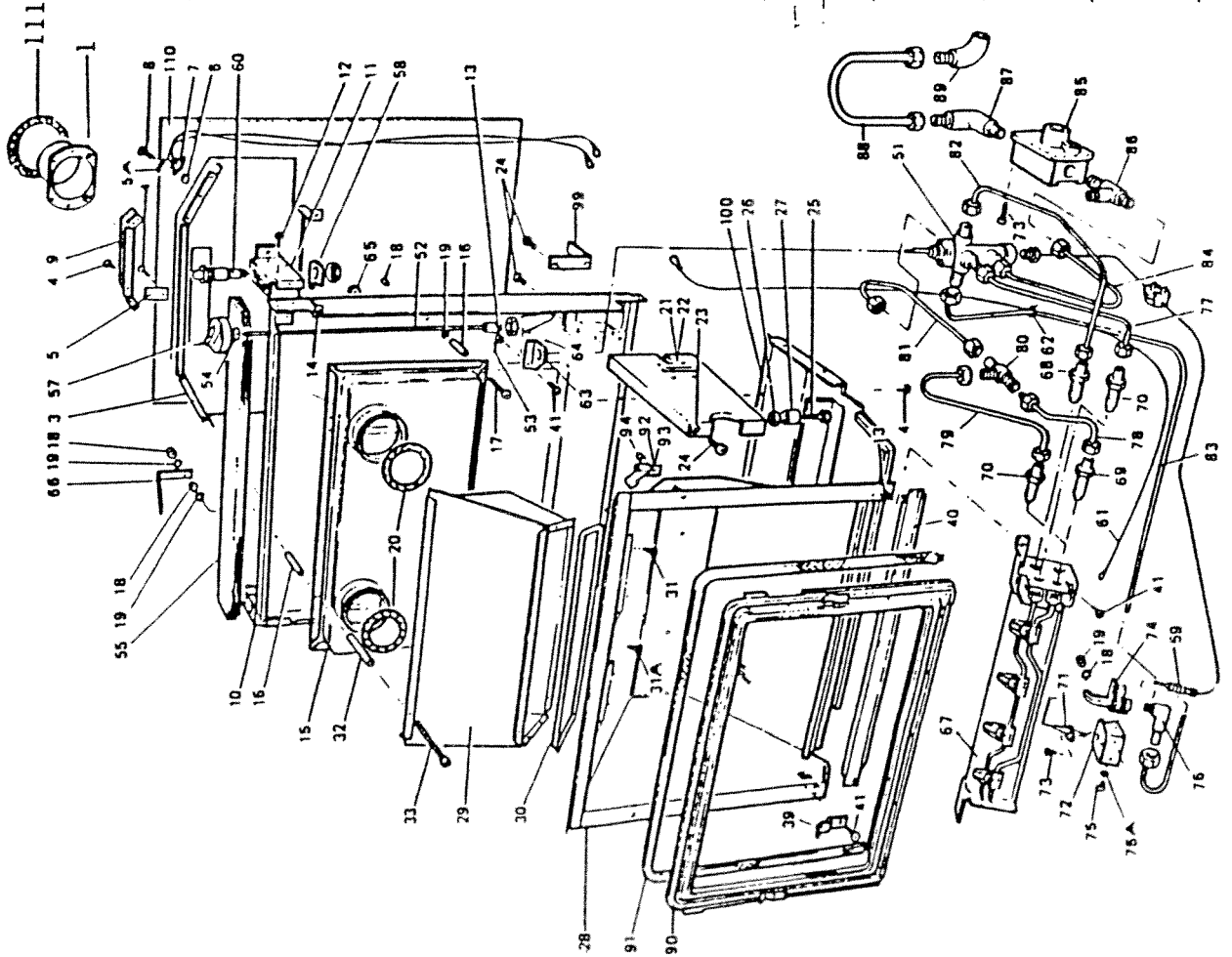


Copyright Valor Heating Ltd 1986

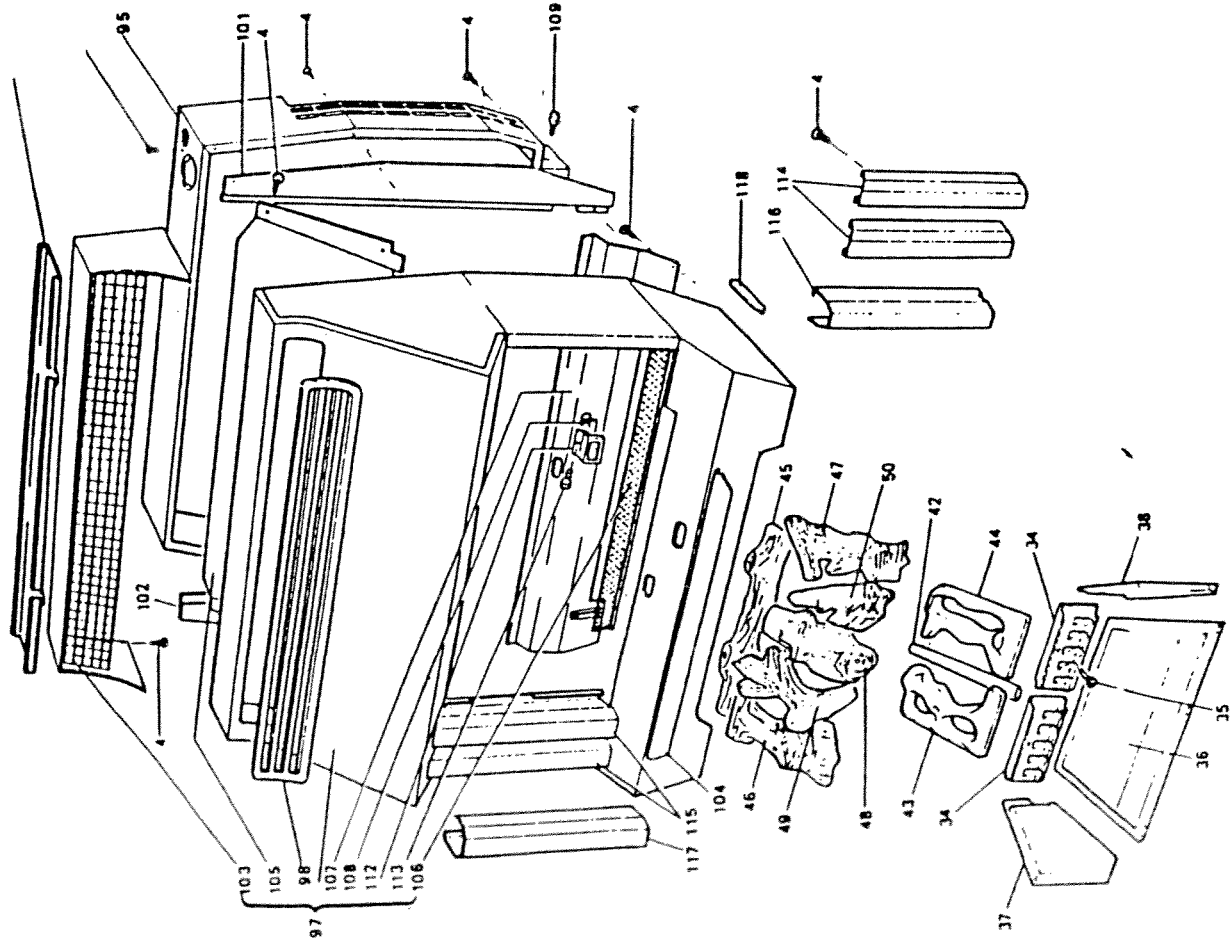
REPAIR PARTS

DESCRIPTION

KEY No	DESCRIPTION	TOTAL No PER APPLANCE PART	SPA
1	FLUE COLLAR	1	552
2	SCREW No 10 x 3/8"	8	5474
3	FLUE BAFFLE ASSEMBLY	1	5484
4	SCREW No 8 x 3/4"	93	5341
5	VENTING REQUIREMENT PLATE	1	5484
5A	FIBER WASHER - THIN	2	5321
6	FIBER WASHER - THICK	2	5490
7	VENT SAFETY THERMOSWITCH UNIT	1	5484
8	SCREW 3 mm x 25 mm 'TAPTITE'	2	5490
9	FLUE DEFLECTOR	1	5470
10	BACK PANEL UNIT	1	5500
11	IGNITER LOCATION BRACKET	1	5500
12	SCREW 4 mm x 6 mm 'TAPTITE'	2	5162
13	NUT (PUSH TYPE) 5 mm BRIGHT	3	5470
14	SCREW 4 mm x 10 mm 'TAPTITE'	1	5470
15	HEAT EXCHANGER (INCLUDING SEALS - KEY 20)	1	5471
16	SPACER - HEAT EXCHANGER TO BACK	4	5470
17	SCREW 5 mm x 40 mm	2	5331
18	NUT 5 mm HEXAGON	2	5321
19	WASHER EXTERNAL STAR 5 mm	6	5321
20	SEAL - HEAT EXCHANGER PORTS	12	5151
21	FOOT - RIGHT SIDE	2	5470
22	FOOT - LEFT SIDE	1	5500
23	NUT (PUSH TYPE) 6 mm	1	5500
24	SCREW 6 mm x 10 mm BLACK	8	5471
25	SCREW - FOOT ADJUSTMENT 6 mm x 35 mm BLACK	6	5471
26	NUT - FOOT ADJUSTMENT 6 mm HEX. BLACK	2	5351
27	SPACER - FOOT SCREW	2	5321
28	RADIANT BOX UNIT	2	5484
29	COLLECTOR BOX UNIT	1	5470
30	SEAL - COLLECTOR BOX	1	5470
31	SCREW No 8 x 1/2" NICKEL PLATED	9	5360
31A	SCREW No 8 x 1/2" NICKEL PLATED	5	5483
32	SPACER - HEAT EXCHANGER TO COLLECTOR BOX	2	5470
33	SCREW - 5 mm x 80 mm	2	5338
34	REAR SUPPORT BRICKS	2	5340
35	SCREW 5 mm x 15 mm	2	5340
36	BASE BOARD	1	5471
37	LEFT SIDE CHEEK	1	5339
38	RIGHT SIDE CHEEK	1	5339
39	BOTTOM WINDOW RETAINER	2	5484
40	FRONT SUPPORT ROD HOLDER	1	5488
41	SCREW 5 mm x 10 mm	5	5333
42	SUPPORT ROD	10	5488
43	GRID - LEFT SIDE	1	5479
44	GRID - RIGHT SIDE	1	5479
45	LOG No 1	1	5479
46	LOG No 2	1	5471
47	LOG No 3	1	5479
48	LOG No 4	1	5472
49	LOG No 5	1	5479
50	LOG No 6	1	5479
51	GAS CONTROL VALVE	1	5485C
52	CONTROL SHAFT UNIT	1	5479E
53	SPLIT FIXING PIN	1	5283E
54	CONTROL KNOB WASHER	1	53252
55	TOP INSULATOR	1	5479E
56	UPPER HOOD SHIELD	1	55011
57	CONTROL KNOB	1	54851
58	CONTROL INDICATOR BRACKET	1	5477E
59	THERMOCOUPLE & JUNCTION UNIT	1	5485E
60	PIEZO ELECTRIC IGNITION GENERATOR	1	5485E



REPAIR PAI



DESCRIPTION

63	64	65	66	67	68	69	70	71	72	73	74	75	75A	76	77	78	79	80	81	82	83	84	85	86	87	88	89	90	91	92	93	94	95	96	97	98	99	100	101	102	103	104	105	106	107	108	109	110	111	112	113	114	115	116	117	118									
CONTROL VALVE BRACKET	CONTROL VALVE LOCKING NUT	ABRASION PROTECTION WASHER	INSULATOR RETAINING BRACKET	BURNER UNIT	FOR NATURAL GAS MODELS FOR PROPANE GAS MODELS	FOR NATURAL GAS MODELS FOR PROPANE GAS MODELS	GAS INJECTOR - MAIN BURNER LOWER (OUTER)	FOR NATURAL GAS MODELS FOR PROPANE GAS MODELS	GAS RESTRICTOR - DECORATIVE FLAME BURNER	SPARK IGNITION ELECTRODE	ELECTRODE BRACKET	SCREW No. 6 x 1/4" TAPTITE 32 TP1	PILOT UNIT	FOR NATURAL GAS MODELS FOR PROPANE GAS MODELS	SCREW 2 B.A. x 3/8" NICKEL PLATED	WASHER 5 mm NICKEL PLATED	PILOT ELBOW	PIPE UNIT - FLAME BURNER UPPER TO VALVE	PIPE UNIT - MAIN BURNER LOWER TO T CONNECTOR	T CONNECTOR	PIPE UNIT - T CONNECTOR TO VALVE	PIPE UNIT - MAIN BURNER UPPER TO VALVE	PIPE UNIT - PILOT TO VALVE	PIPE UNIT - PRESSURE TAPPING UNIT TO VALVE	GAS PRESSURE REGULATOR	FOR NATURAL GAS MODELS FOR PROPANE GAS MODELS	PRESSURE TAPPING UNIT	REGULATOR ELBOW	PIPE UNIT - REGULATOR ELBOW TO INLET ELBOW	INLET ELBOW	WINDOW SEAL	WINDOW UNIT	TOP WINDOW RETAINER LEFT SIDE	TOP WINDOW RETAINER RIGHT SIDE	LOCK NUT 5 mm AEROTIGHT	OUTER REAR FRAME	CONTROL POSITION INDICATOR PIN	OUTER CASE UNIT - PEWTER (INCLUDES KEYS 98, 103, 105 to 108, 112, 113, 118)	OUTER CASE UNIT - BLACK (INCLUDES KEYS 98, 103, 105 to 108, 112, 113, 118)	HOOD GRILL	REAR SUPPORT LEGS	FLOOR PLATE UNIT	CASE REAR PLATE - RIGHT SIDE	CASE REAR PLATE - LEFT SIDE	LOWER HOOD SHIELD & MESH	LEDGE TRIM STAINLESS STEEL (FOR PEWTER MODELS)	LEDGE TRIM BRASS (FOR BLACK MODELS)	HOOD FRONT SHIELD	BURNER GUARD	BOTTOM FRONT HEATSHIELD	BURNER VIEWING WINDOW	THUMB SCREW - OUTER CASE ATTACHMENT	SEALING PLATE	FLUE COLLAR SEALING RING	BURNER WINDOW BRACKET	SCREW 4mm x 6mm TAPTITE BLACK	OUTER SIDE TRIM - RIGHT SIDE	OUTER SIDE TRIM - LEFT SIDE	INNER SIDE TRIM - RIGHT SIDE	INNER SIDE TRIM - LEFT SIDE	INNER SIDE TRIM - RIGHT SIDE STAINLESS STEEL (FOR PEWTER MODELS)	INNER SIDE TRIM - LEFT SIDE STAINLESS STEEL (FOR BLACK MODELS)	INNER SIDE TRIM - LEFT SIDE - STAINLESS STEEL (FOR PEWTER MODELS)	NAMEPLATE (FOR PEWTER MODELS)	NAMEPLATE (FOR BLACK MODELS)