

valor[®] Madrona

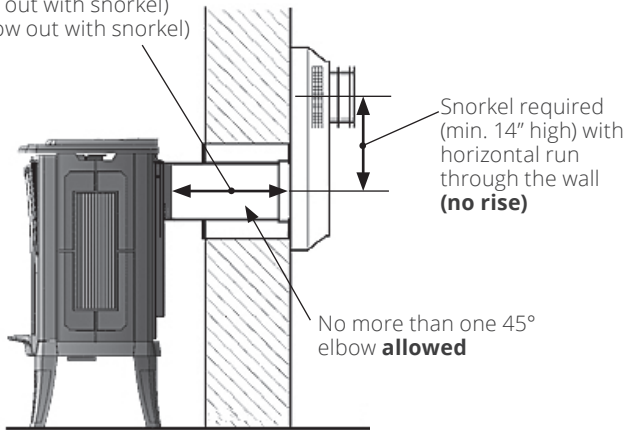
Dec 2020

1/3

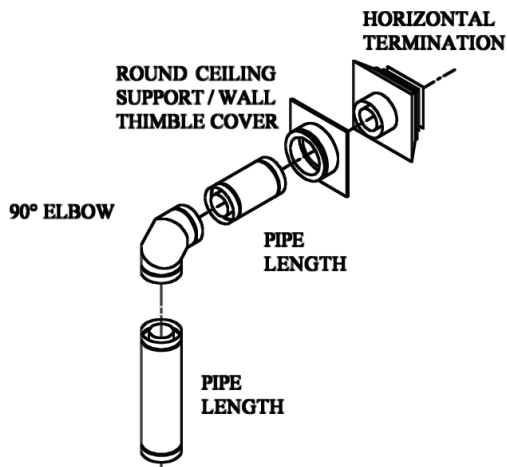
MF28 Madrona Stoves—Co-Axial Venting

Typical Venting Components .

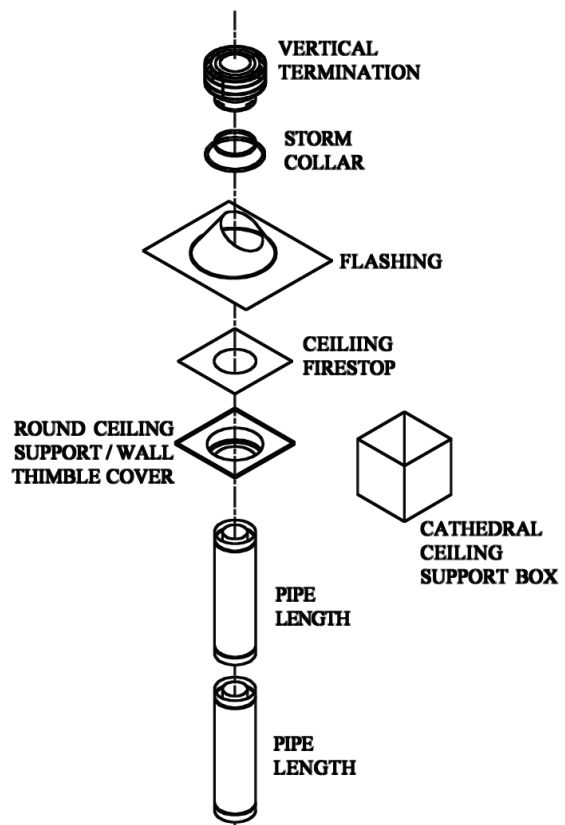
Maximum pipe length:
 24" (straight out with snorkel)
 14" (45° elbow out with snorkel)



Through wall (without vertical rise)



Through wall (with vertical rise)



Through roof

MF28 Madrona Stoves—Co-Axial Venting

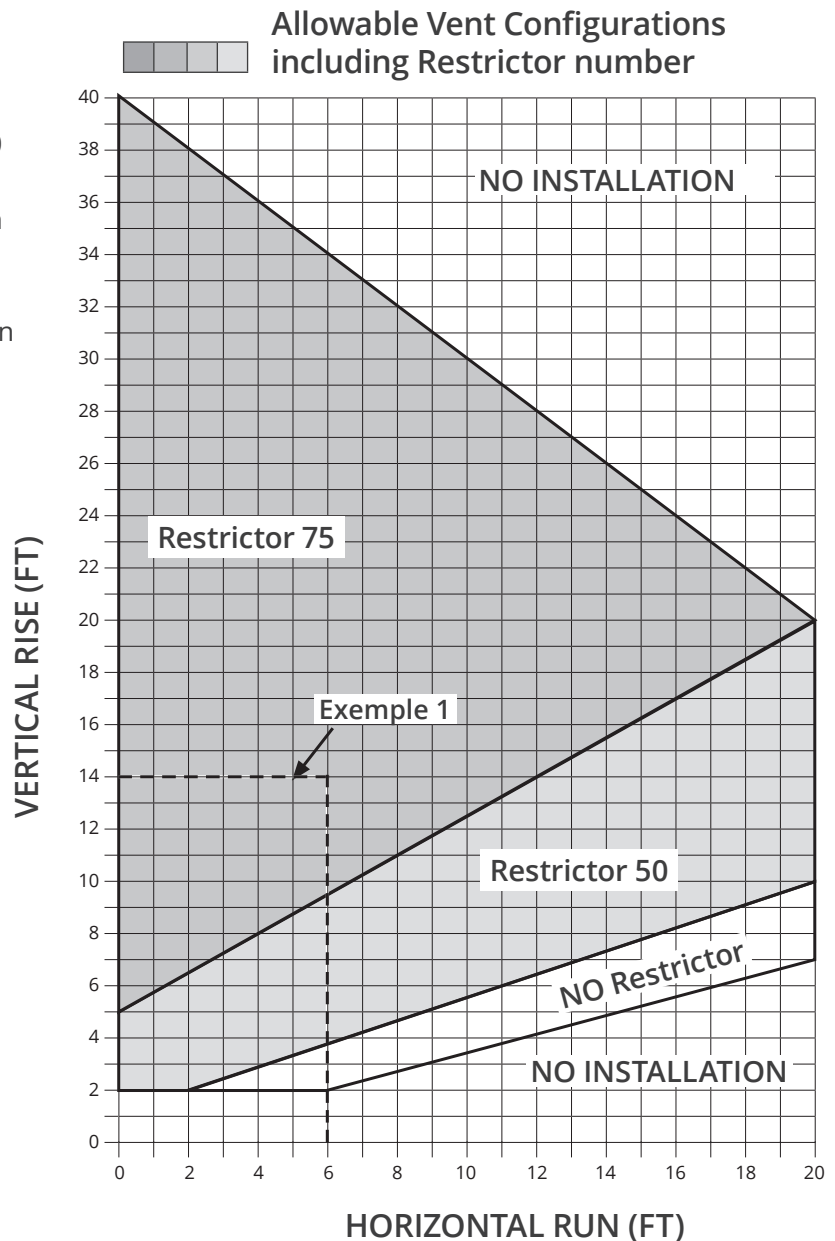
How to Read the Venting Chart

The chart below applies to top or rear outlet, roof or wall termination **with a vertical rise**.

All rear outlet venting without a vertical rise must be terminated by a snorkel.

1. Total length of the vent pipe cannot exceed 40 feet.
2. Minimum vertical height with roof termination is 8 feet.
3. Any combination of rise and run can be used as long as within the allowable limits shown on the chart below.
4. Maximum of 5 x 90 degrees elbows or equivalent (2 x 45 degrees = 90 degrees) can be used.
5. Each 90 degrees elbow installed on the horizontal plane is equivalent to a 3 feet horizontal pipe; therefore, 3 feet must be subtracted from allowable horizontal run. (45 degrees elbow is equivalent to 18 inches horizontal pipe.)
6. All horizontal pipe runs must be graded 1/4 inch per foot upwards in the direction of the exhaust flow.
7. **Co-linear rear venting** in existing chimney systems is limited to 40 feet vertical rise.
8. **Restrictors are not required** for co-linear installations.

Vent Chart



Example 1

$$V \text{ Value} = V1 (6') + V2 (6') + V3 (2') = 14'$$

$$H \text{ Value} = H1 (3') + H2 (3') = 6'$$

75% restrictor required

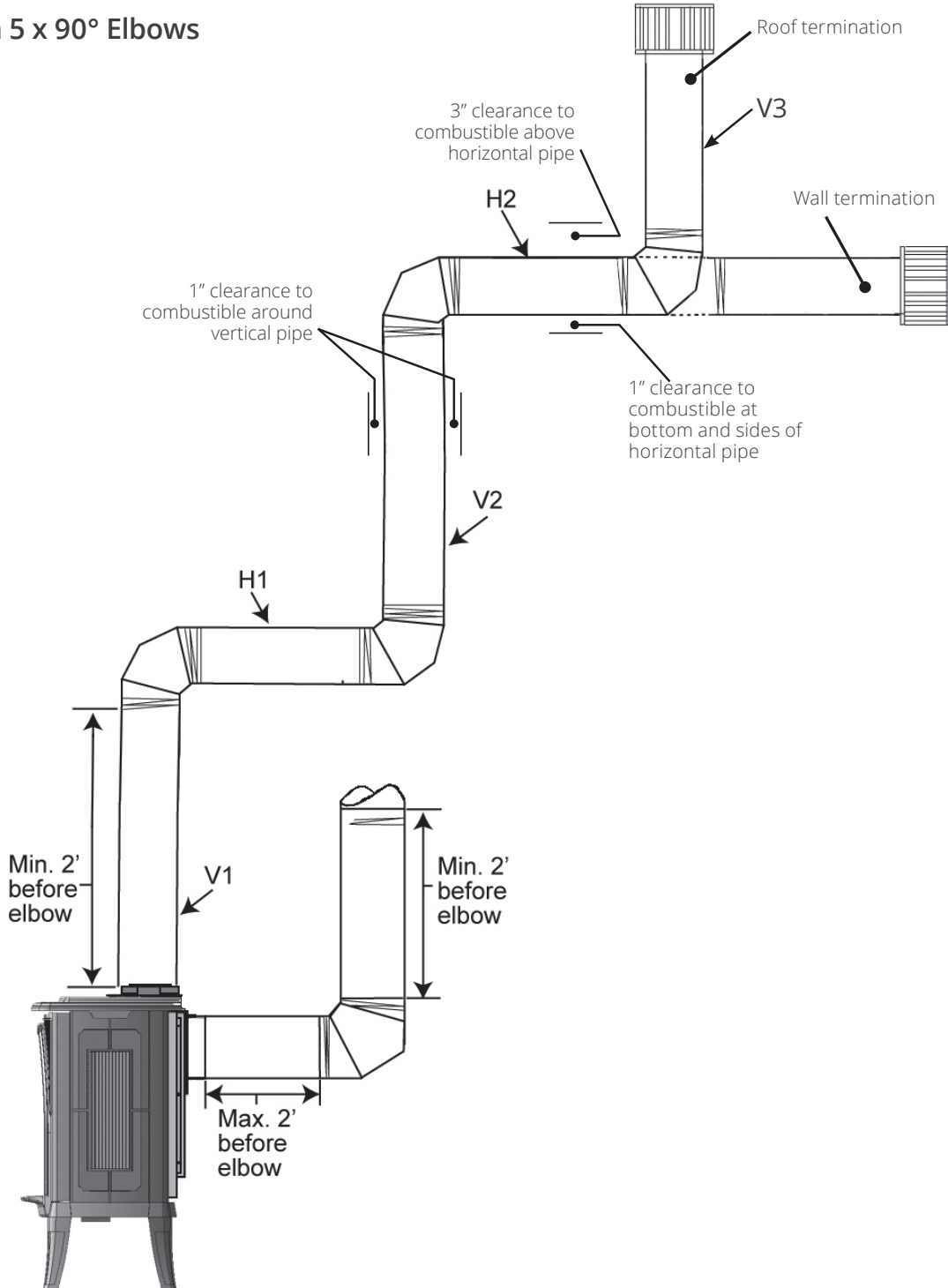
valor[®] Madrona

Dec 2020

3/3

MF28 Madrona Stoves—Co-Axial Venting

Maximum 5 x 90° Elbows



Not to scale