

MF28 Madrona—Co-Axial Flex 3x5 Venting

Applications

This appliance can be converted to install as a co-axial using flex pipes application. The co-axial flex portion of the vent system may only be installed within a solid-fuel burning appliance.

This appliance must not be connected to a chimney flue serving a separate solid-fuel burning appliance.

Have the chimney swept and the fireplace cavity including ash dumps and clean-outs cleaned before installing the heater and vent liners. Any creosote or soot residue remaining in the fireplace cavity chimney or clean-out may cause odors or stains once the heater is installed. Consult with chimney sweep for information on how best to clean.

Types of Installations

- Partial installation into an existing fireplace
- Installation into an adjacent chimney

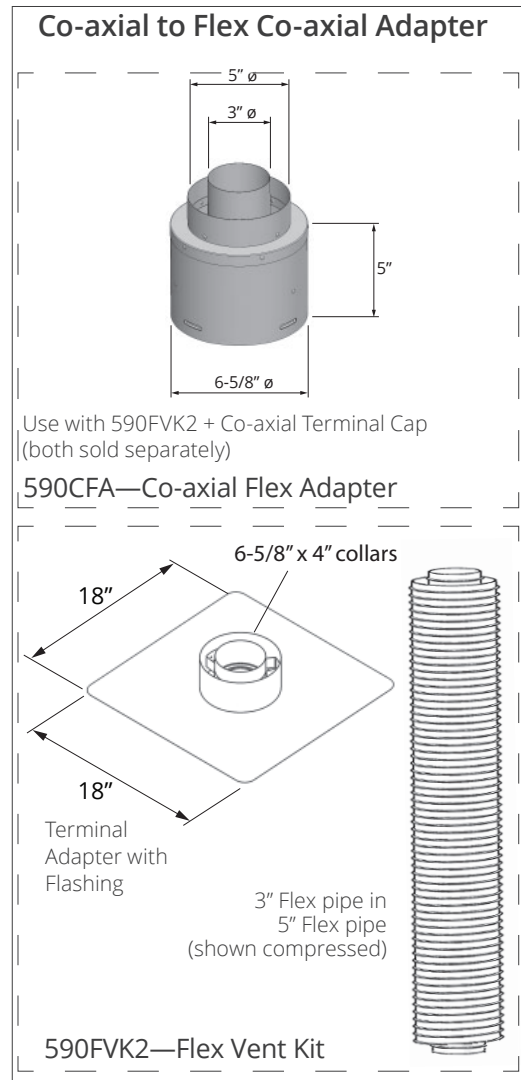
See the following pages for each installation details.

Rules for Co-Axial Flex Venting

- Maximum 40 feet vertical pipe
- Minimum 10 feet vertical
- Maximum offset 8 feet with liners at minimum 45 degrees from horizontal plane
- Restrictor: Use restrictors #75. See following page.

NOTE

Co-axial flexible aluminum venting liners should be professionally inspected periodically for corrosion and damage and replaced when necessary. If the installation does not allow for future inspection or replacement of the flexible aluminum liners, then stainless steel vent liners are recommended.



MF28 Madrona—Co-Axial Flex 3x5 Venting

Venting Chart

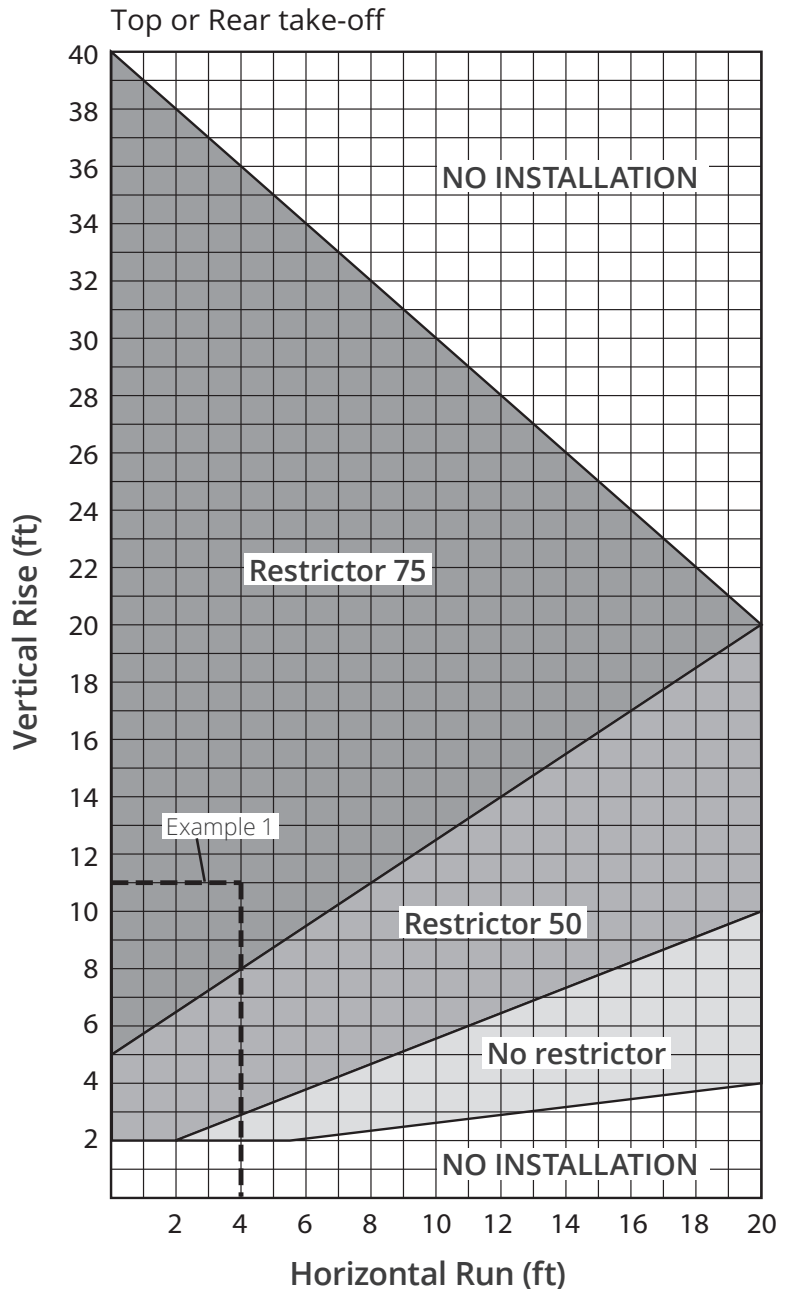
How to Read the Venting Charts

The chart below applies to co-axial roof or wall termination in installations **with vertical rise**.

All rear venting without a vertical rise must be terminated by a 36" snorkel—see page 11.

1. The total length of the vent pipe cannot exceed 40 feet.
2. The minimum vertical height with roof termination is 8 feet.
3. Any combination of rise and run can be used as long as they are within the allowable limits shown on the chart.
4. A maximum of 5 x 90 degrees elbows—or equivalent (2 x 45 degrees = 90 degrees)—can be used.
5. Each 90 degrees elbow installed on the horizontal plane is equivalent to a 3 feet horizontal pipe; therefore, 3 feet must be subtracted from allowable horizontal run. (45 degrees elbow is equivalent to 18 inches horizontal pipe.)
6. All horizontal pipe runs must be graded 1/4 inch per foot upwards in the direction of the exhaust flow. The final pipe length, when terminating through the wall may be graded downwards slightly to prevent water migration.
7. **Maximum co-axial flex venting** in existing chimney systems is limited to 40 feet vertical rise.
8. **Restrictors are required for co-axial flex** installations.

Allowable Co-Axial Vent Configurations with restrictor positions



valor[®] Madrona

Nov 2024

3/3

MF28 Madrona—Co-Axial Flex 3x5 Venting

Partial Installation Into an Existing Chimney or Into an Adjacent Chimney with 590CFA

The appliance's venting system can be partially inserted into the non-combustible adjacent chimney as illustrated below.

In this case, the appliance must maintain clearances to combustibles as shown in this manual.

Required venting components:

- Valor 590CFA—Co-axial 4 x 6-5/8 to 3 x 5 vent adapter;
- Valor 590FVK2 Flex Vent Kit;
- High wind vertical co-axial vent terminal cap or low profile co-axial vertical termination.

NOTE

This appliance must maintain clearances to combustibles as shown in its installation manual.

NOTE

See 590CFA and 590FVK2 installation manuals for complete instructions.

