


valor[®] LX2 Corners

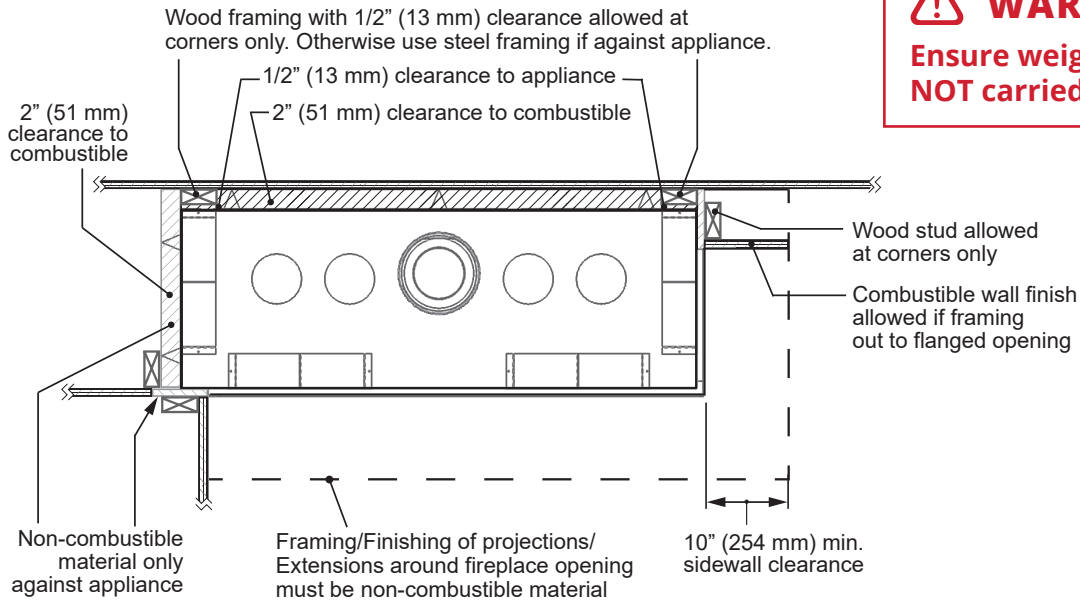
Dec 2022

1/2

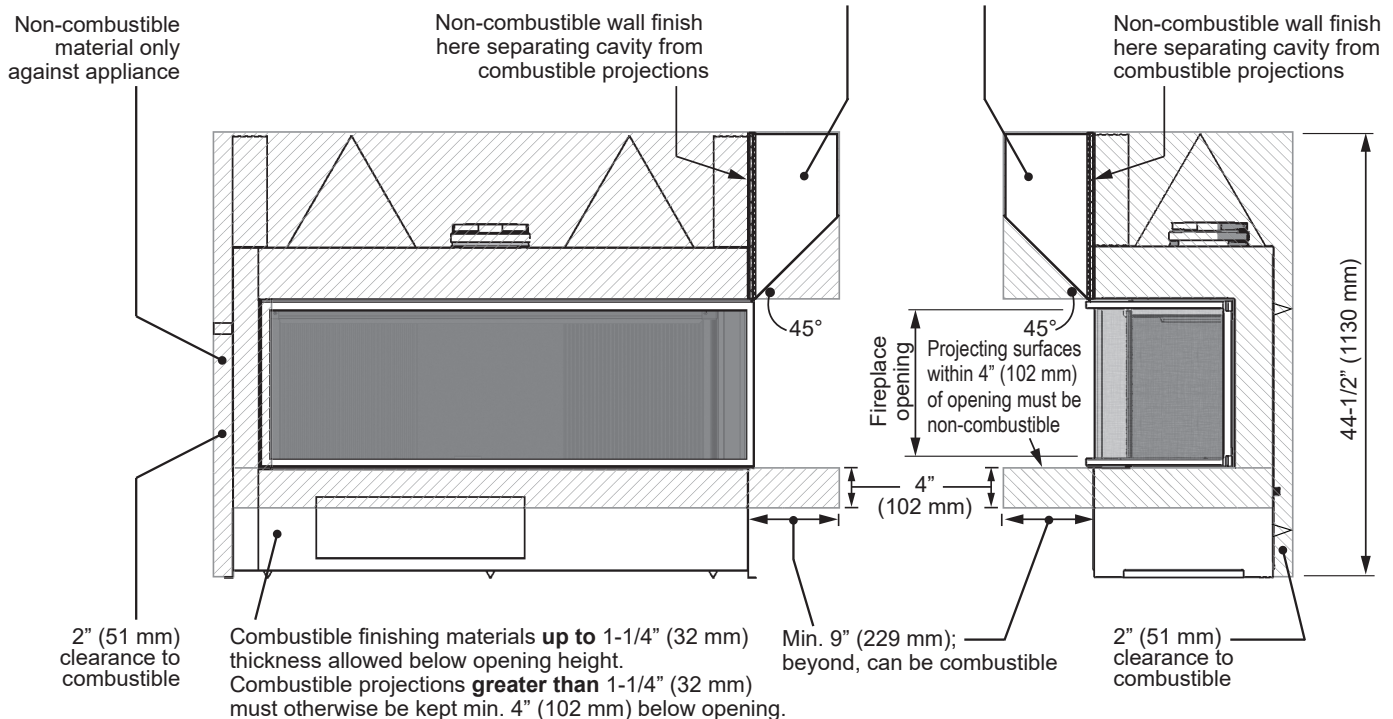
Clearances—Combustible projections

 Non-combustible material

 **WARNING**
Ensure weight of wall above is NOT carried by the appliance.



Combustible projections allowed in this area provided area is separated from the main cavity by non-combustible wall finish. Otherwise everything below stand-off height and within cavity must be non-combustible.



Valor[®] LX2 Corners

Dec 2022

2/2

Clearances—Alcove

Alcove above opening

