

Valor® L3 1800K

February 2020
1/4

Co-Linear Venting—existing fireplace cavity

Installation Into Existing Fireplace Cavity

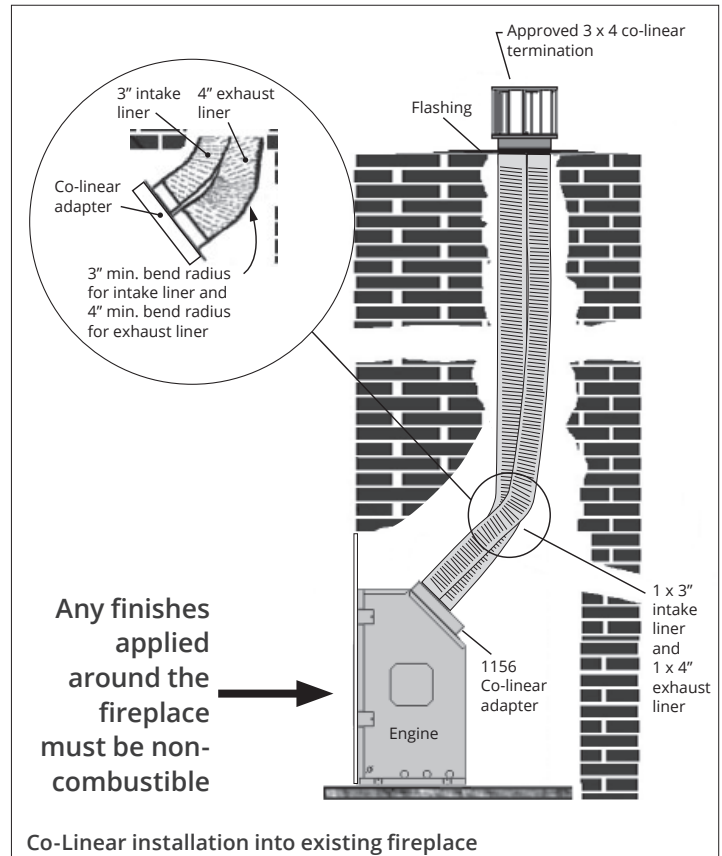
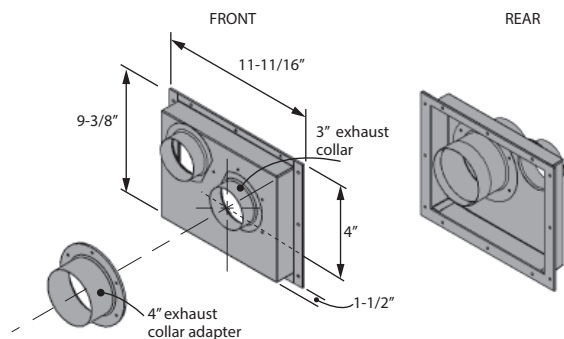
Note: Co-linear portion of vent system may only be installed within a solid-fuel burning fireplace and chimney.

The appliance must not be connected to a chimney flue serving a separate solid-fuel burning appliance.

Requires the Valor Co-Axial to Co-Linear appliance Adapter 1156CLA, two lengths of 2-ply flexible chimney liner both approved for venting gas appliances: one 3" diameter liner for intake and one 4" diameter liner for exhaust, a 3 x 4 co-linear termination kit and flashing.

Firebox zero clearance standoffs supplied with the heater may be removed to suit this application.

1156CLA Co-Linear Vent Adapter



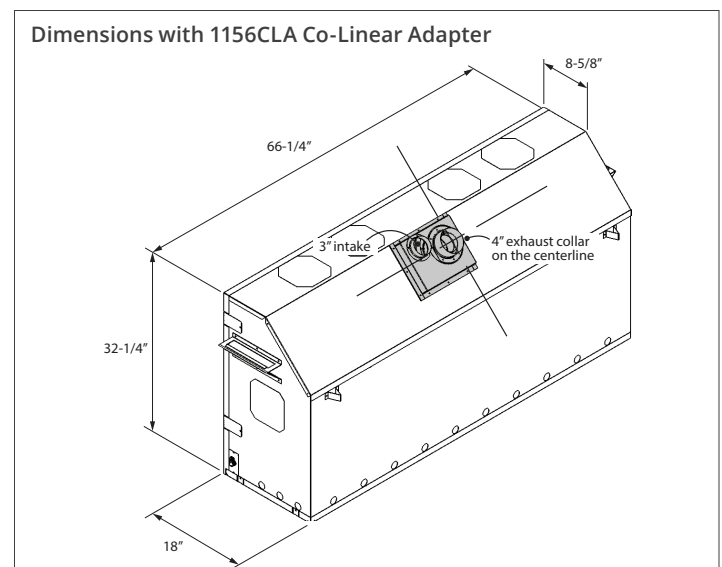
Rules for Co-Linear Venting

- Maximum 40 feet vertical pipe
- Minimum 10 feet vertical
- Maximum offset 8 feet with liners at minimum 45 degrees from horizontal plane
- Restrictor: Not required when using co-linear venting.

Installation

For installation of the adapter to the appliance, see the instructions supplied with the 1156CLA.

Note: Co-linear flexible aluminum venting should be professionally inspected periodically for corrosion and damage and replaced when necessary. If the installation does not allow for future inspection or replacement of the flexible aluminum venting, then stainless steel vent liners should be used.



valor® L3 1800K

February 2020
2/4

Co-Linear Venting partially into existing cavity

Installation Partially Into Fireplace Cavity

Note: Co-linear portion of vent system may only be installed within a solid-fuel burning fireplace and chimney.

The appliance can be adapted to co-linear applications using an existing chimney. The appliance must not be connected to a chimney flue serving a separate solid-fuel burning appliance.

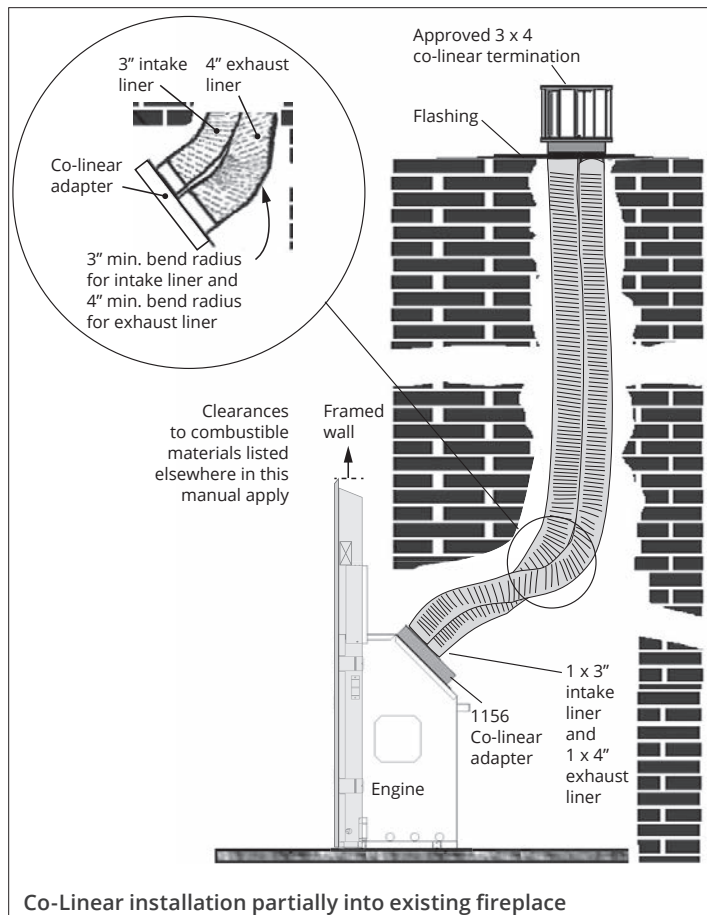
Requires the Valor Co-Axial to Co-Linear appliance Adapter 1156CLA, 46DVA-GCL34 or equivalent, two lengths of 2-ply flexible chimney liner both approved for venting gas appliances: one 3" diameter liner for intake and one 4" diameter liner for exhaust, a 3 x 4 co-linear termination kit and flashing.

The appliance must be fully enclosed while maintaining clearances to combustibles detailed elsewhere in this manual.

Rules for Co-Linear Venting

- Maximum 40 feet vertical pipe
- Minimum 10 feet vertical
- Maximum offset 8 feet with liners at minimum 45 degrees from horizontal plane
- Restrictor: Not required when using co-linear venting.

Note: Co-linear flexible aluminum venting should be professionally inspected periodically for corrosion and damage and replaced when necessary. If the installation does not allow for future inspection or replacement of the flexible aluminum venting, then stainless steel vent liners should be used.



valor® L3 1800K

February 2020
3/4

Co-Linear Venting into existing adjacent chimney

Installation Into Existing Adjacent Chimney

Note: Co-linear portion of vent system may only be installed within a solid-fuel burning fireplace and chimney.

The appliance can be adapted to co-linear applications using an existing chimney. The appliance must not be connected to a chimney flue serving a separate solid-fuel burning appliance.

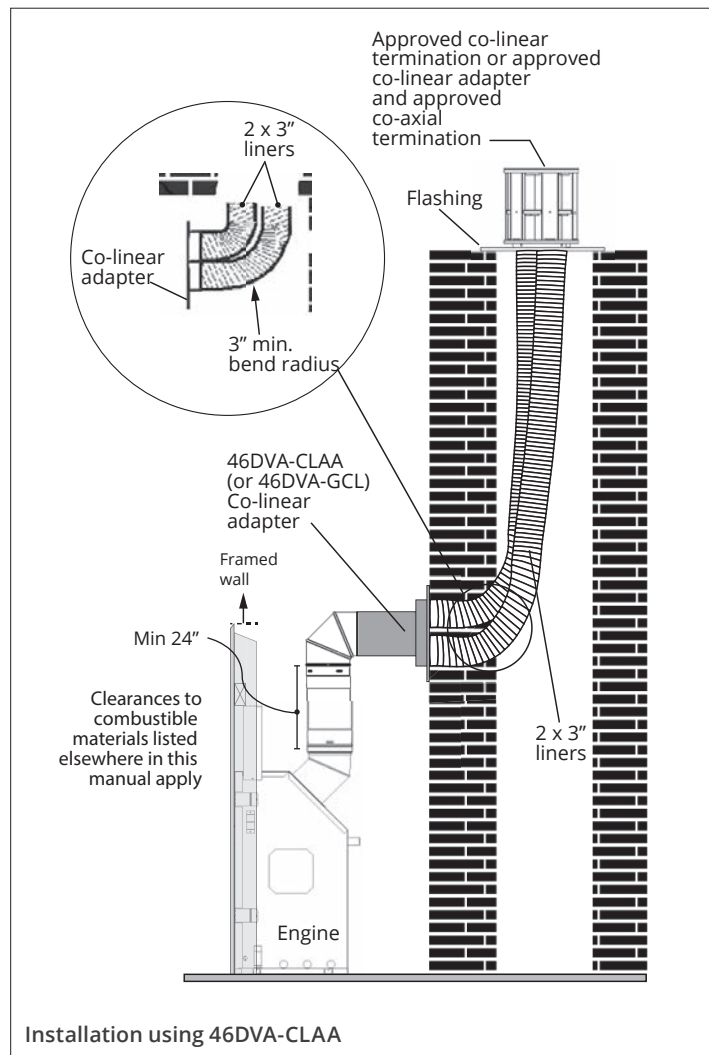
Requires the Co-Axial to Co-Linear appliance Adapter 46DVA-34CLAA or equivalent, two lengths of 2-ply flexible chimney liner both approved for venting gas appliances: one 3" diameter liner for intake and one 4" diameter liner for exhaust, a 3 x 4 co-linear termination kit and flashing.

The appliance must be fully enclosed while maintaining clearances to combustibles detailed elsewhere in this manual.

Rules for Co-Linear Venting

- Maximum 40 feet vertical pipe
- Minimum 10 feet vertical
- Maximum offset 8 feet with liners at minimum 45 degrees from horizontal plane
- Restrictor: Not required when using co-linear venting.

Note: Co-linear flexible aluminum venting should be professionally inspected periodically for corrosion and damage and replaced when necessary. If the installation does not allow for future inspection or replacement of the flexible aluminum venting, then stainless steel vent liners should be used.



valor[®] L3 1800K

February 2020
4/4

Co-Linear Venting—Example of accessories

Co-axial to Co-linear Appliance Adapters



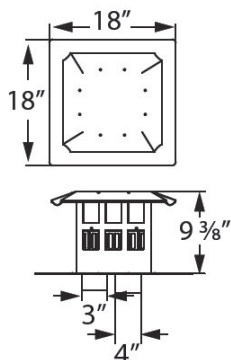
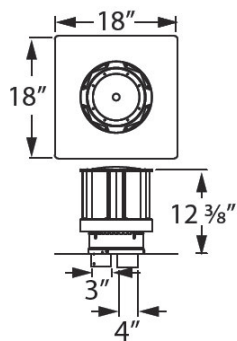
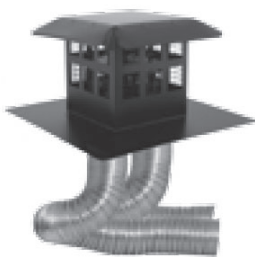
46DVA-GCL34



46DVA-34CLAA

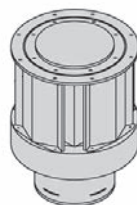
Note: Co-linear flexible aluminum venting should be professionally inspected periodically for corrosion and damage and replaced when necessary. If the installation does not allow for future inspection or replacement of the flexible aluminum venting, then stainless steel vent liners should be used.

Co-linear Terminal Configurations



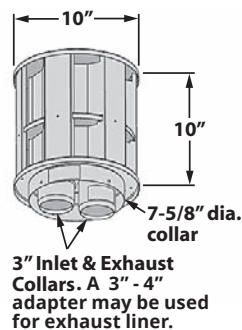
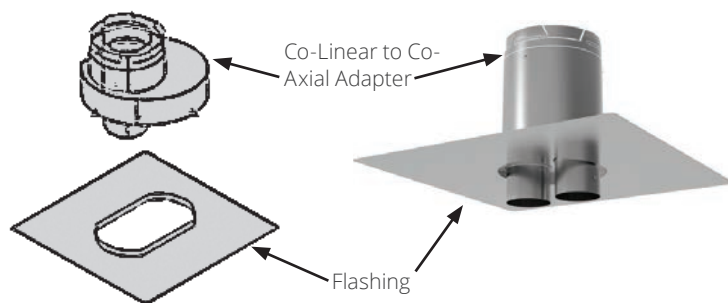
Co-linear Termination Kits

Alternate Co-linear to Co-axial Conversion at Terminal

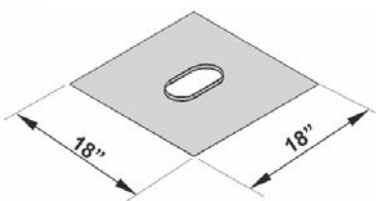


With...

Co-axial Terminal Cap



Co-Linear Terminal (typical)



Flashing Kit