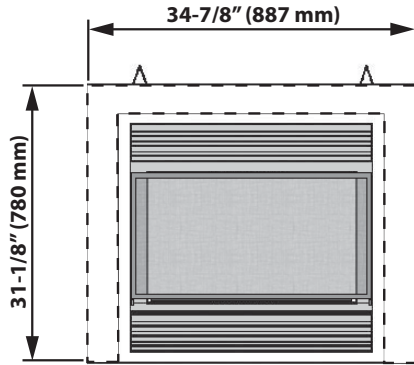
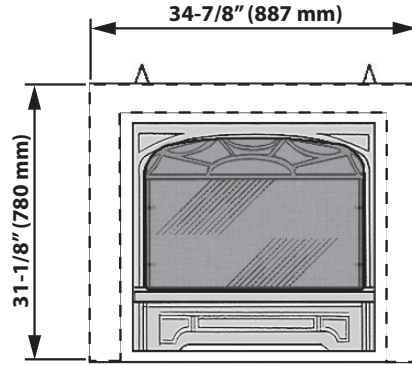


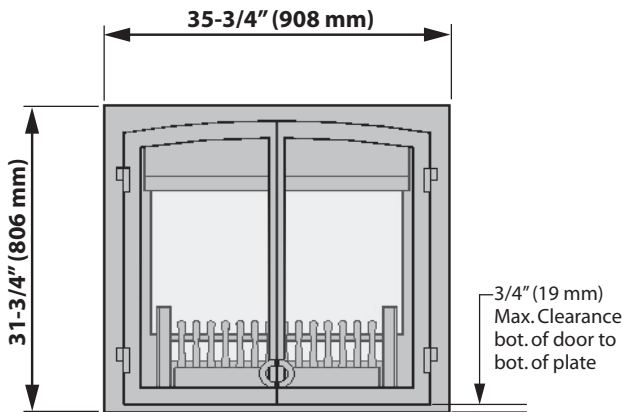
Fronts



601SFB

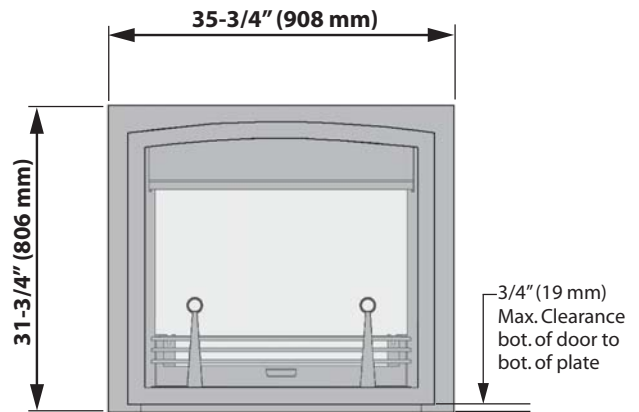


602CFB



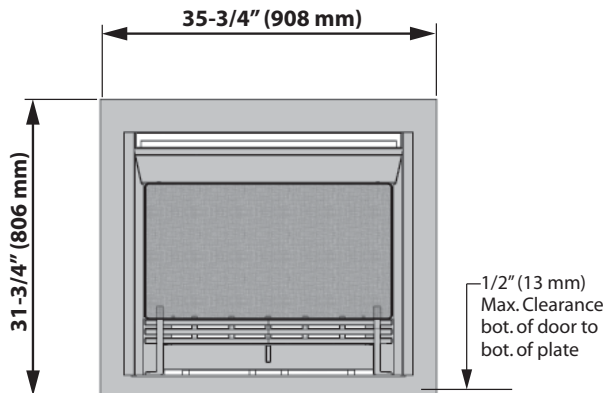
***NOTE: Bottom of plate is flush with bottom of heater. Install bottom of heater flush with finished hearth.**

610FVI



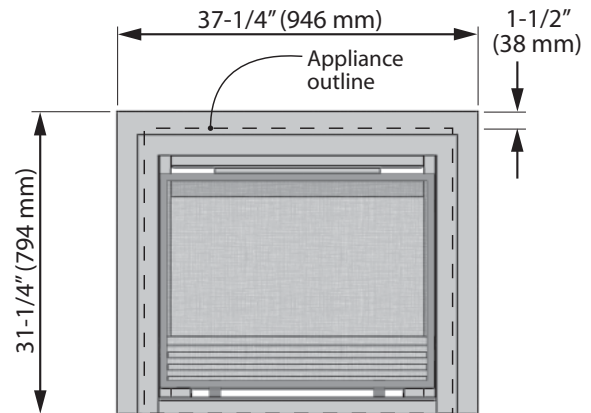
***NOTE: Bottom of plate is flush with bottom of heater. Install bottom of heater flush with finished hearth.**

611FVI



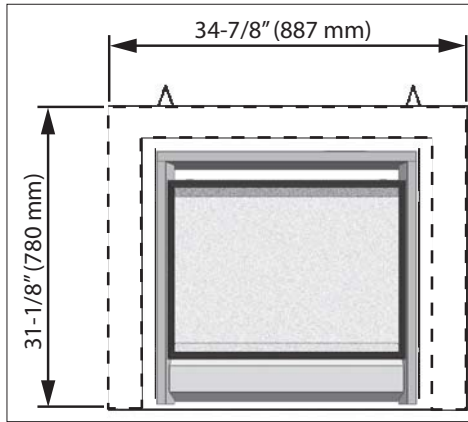
***NOTE: Bottom of plate is flush with bottom of heater. Install bottom of heater flush with finished hearth.**

613CCB

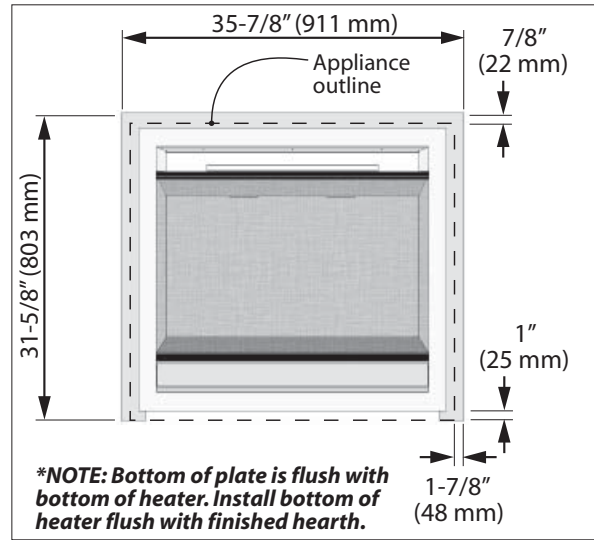


***NOTE: Bottom of plate is flush with bottom of heater. Install bottom of heater flush with finished hearth.**

645CFV

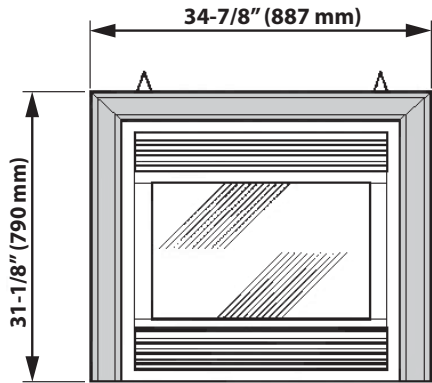


672MBF

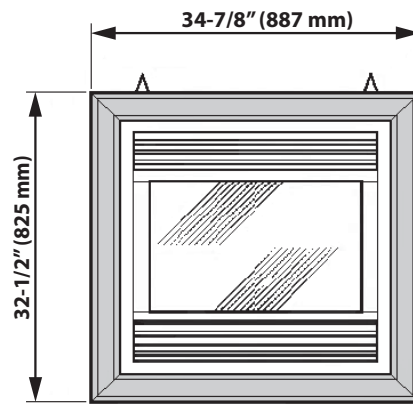


673ED

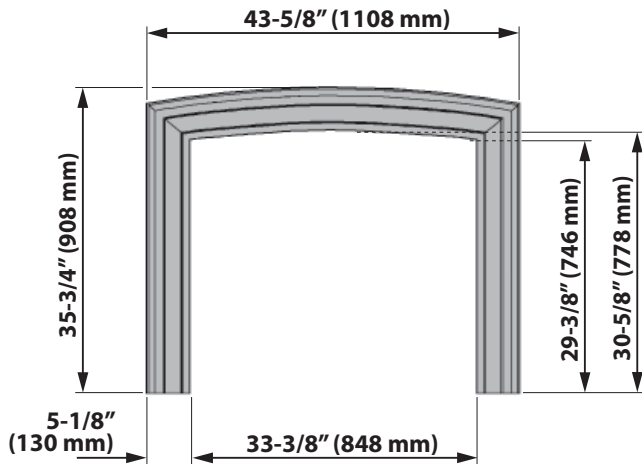
Trims & Surrounds



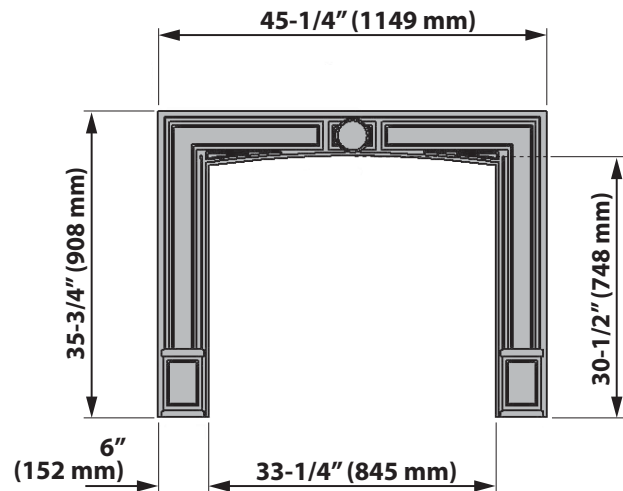
603FSK



605FSK

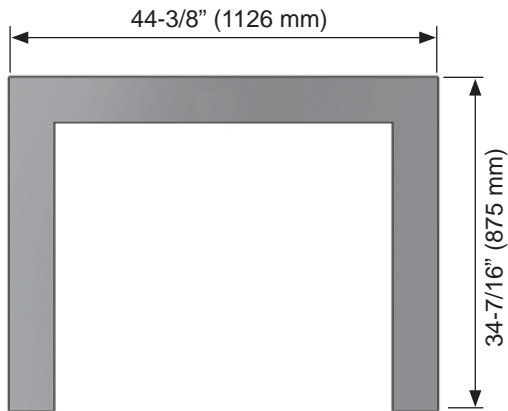


614CVI



615CVI

Trims & Surrounds, cont'd

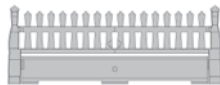


623STV

Frets



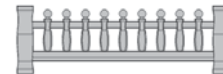
646CCB



RA24TB



RA24CV



1225VFB

What goes with what?

goes with...	603FSK trim	605FSK trim	614CVI surround	615CVI surround	623STV surround	646CCB fret	RA24TB fret	RA24CV fret	1225VFB fret
Fronts									
601SFB Contemporain Steel	x	x	x						
602CFB Cast Traditional	x	x	x						
610FVI FenderFire Double			x	x					
611FVI FrenderFire Single			x	x					
645CFV Clearview					x	x	x	x	x
672MBF Matte Black Front	x	x							
673ED Edgemont Door			x	x					