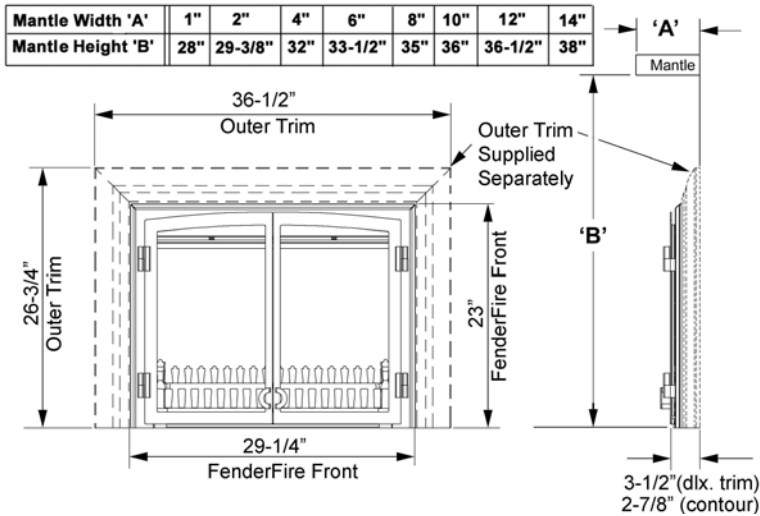




# Model 743 FVI Double Door FenderFire Screened Front for Model 738/739 Heaters

April, 2004



## General

The 743 Fenderfire screened front is designed to be used with an outer surround trim (supplied separately) and fit within the outer surround trim clipping onto the mounting brackets supplied with Valor model 738/739 heaters. The FenderFire front is compatible with all outer surround trims, plates, risers, and zero clearance kit available for use with model 738 or 739 heaters. For single door version of the FenderFire front refer to # 744 FVI FenderFire literature

