



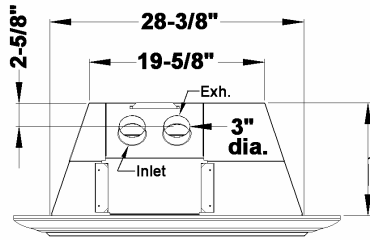
Model 739

Legend G3

Direct Vent Fireplace Insert

Nov. 2002

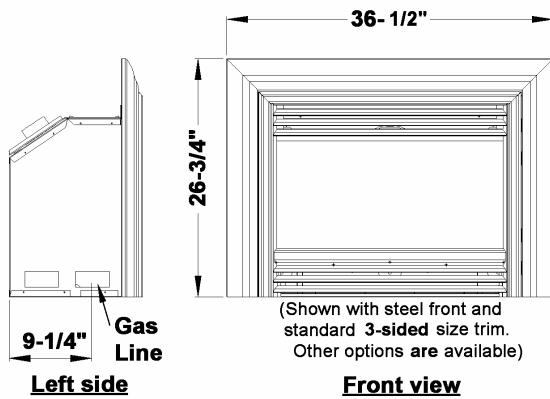
Note : This appliance may only be installed in a solid fuel burning fireplace with a working flue constructed of non-combustible material. Refer to model 738 B-vent Insert using model 770ZCK for Zero Clearance applications.



Top View

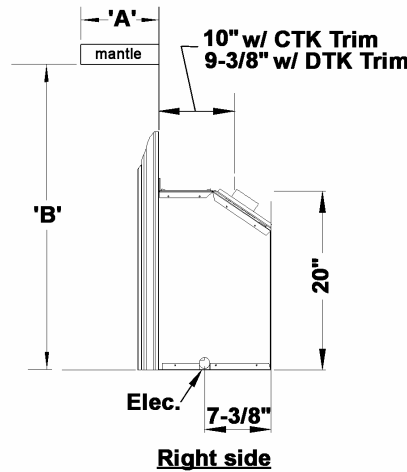
Max. Vent Height – 30 ft to bottom of termination.
Min. Vent Height – 10 ft to bottom of termination.
Max. Horiz. offset – 4 ft, center to center of pipe with max 45 degree angle.

Mantle Width 'A'	1"	2"	4"	6"	8"	10"	12"	14"
Mantle Height 'B'	28"	29-3/8"	32"	33-1/2"	35"	36"	36-1/2"	38"

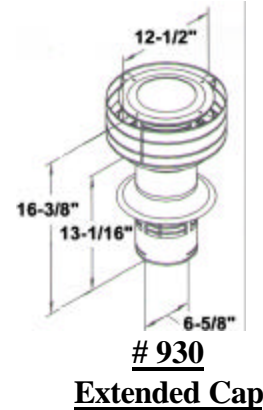


Left side

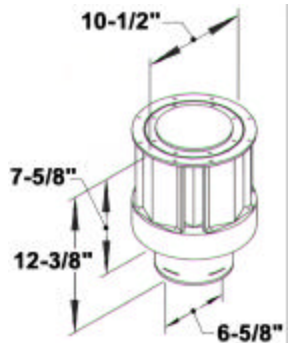
Front view



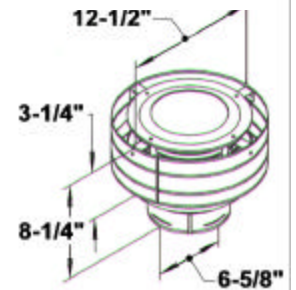
Right side



930
Extended Cap



991
High Wind Cap

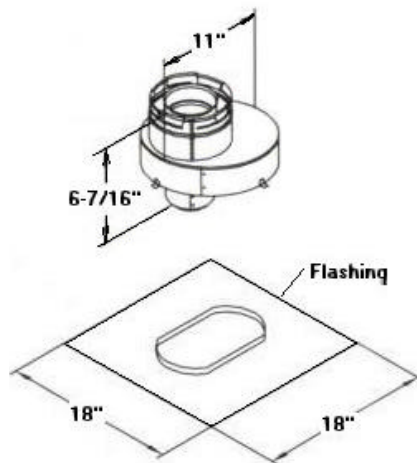


980
Low Profile Cap

Model	Fuel	Vent Type	Max. Input	Min. Input	Max. Output
739 DVN	NG	Direct Vent	24,000 Btu	6,500 Btu	16,800 Btu
739 DVP	LPG	Direct Vent	24,000 Btu	13,000 Btu	16,800 Btu

Notes :

- For B-vent version refer to model 738 spec sheet.
- Thermostatic Remote Control is standard.
- Model 739 is approved for combustible flooring directly up to or underneath the unit.
- Accessories :
 - 555CFK Circulating Fan Kit
 - 741SFB Steel Fascia Black
 - 742CFB Cast Iron Fascia Black
 - 746CTK Contour Trim Kit (3-sided)
 - 747DTK Deluxe Trim Kit (3-sided)
 - 748CTK Contour Trim Kit (4-sided)
 - 749DTK Deluxe Trim Kit (4-sided)
 - 750OCP Oversize Closure Plate
 - 751LTK Lift Trim Kit (requires 752BTK also)
 - 752BTK Base Trim Kit (1-3/8" riser)



923GK
Co-Linear Adapter & Flashing

