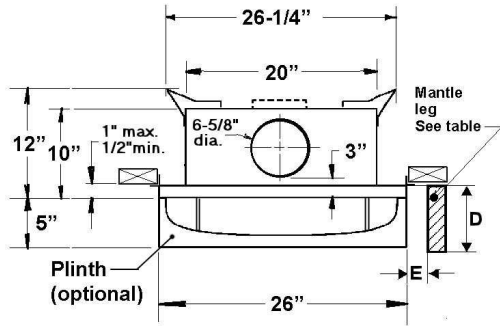




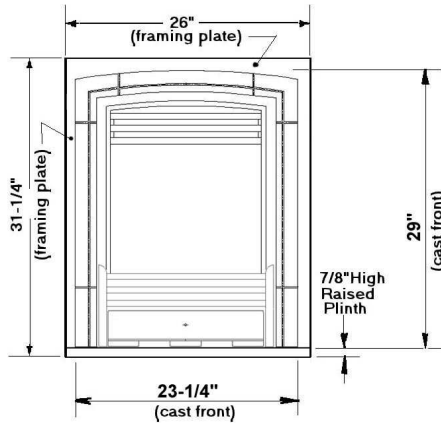
Model 541 BPC

Bolero Cast Iron Front for Model 530 Direct Vent Heater

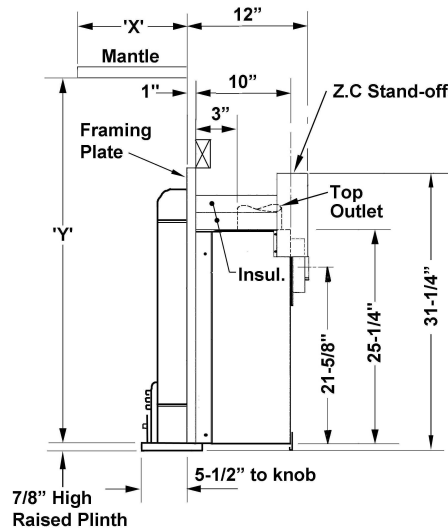
Oct. 2003



Plan View

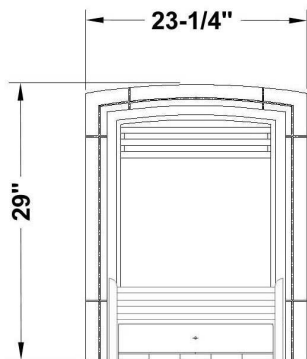


Front with Framing Plate

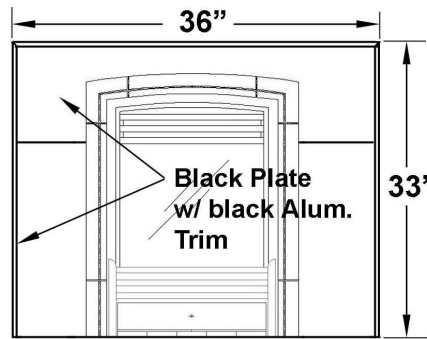


Side View

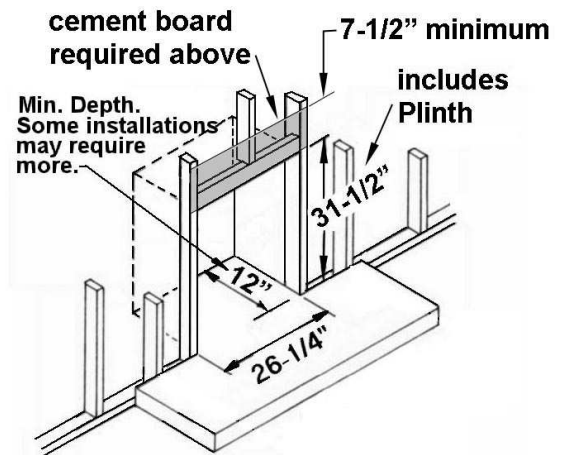
Mantle Clearances	
'X'	'Y'
1" - 6"	33"
7" - 8"	34"
9" - 12"	38"
12" +	38" + 1" for every inch beyond 12"



Front (Casting Only)



Front w/ Optional 3336 CP Closure Plate (Insert Application)



Minimum Framing Cavity

Notes

1. These framing Cavity Dimensions Vary from those used with other 530 front trims and are therefore specific to the 541 BPC trim only.

2. The 530 Heater with 541 BPC Front may be installed in the following applications:

- Zero Clearance, Rear or Top Outlet Direct Vent Terminating Through Wall or Through Roof (no separate Z.C kit required).
- As an Insert when converted to Co-Linear venting using 2 x 3" flex liners for installation into existing fireplace applications. Stand-offs, Insulation pads, Framing Plate and Plinth not required for this application (refer to installation manual for full description of venting capabilities). Closure Plate may be required to cover opening.