



Model 534XAN (Natural Gas) Model 534XAP (Propane) Direct Vent Gas Fireplace Heater Installation & Operating Instructions

*INSTALLER: Leave this manual with the appliance.
CONSUMER: Retain this manual for future reference.*

Please read this manual BEFORE installing and operating this appliance.

WARNING: If the information in these instructions is not followed exactly, a fire or explosion may result causing property damage, personal injury or loss of life.

Do not store or use gasoline or other flammable vapors and liquids in the vicinity of this or any other appliance.

WHAT TO DO IF YOU SMELL GAS

- Do not try to light the appliance.
- Do not touch any electrical switch; do not use any phone in your building.
- Immediately call your gas supplier from a neighbor's phone. Follow the gas supplier's instructions.
- If you cannot reach your gas supplier, call the fire department.

Installation and service must be performed by a qualified installer, service agency or the gas supplier.

This appliance may be installed in an after-market permanently located, manufactured (mobile) home where not prohibited by local codes.

This appliance is only for use with the type of gas indicated on the rating plate. This appliance is not convertible for use with other gases, unless a certified kit is used.

This appliance is a domestic room-heating appliance. It must not be used for any other purposes such as drying clothes, etc.

This appliance is suitable for installation in a bedroom or bed sitting room.

Massachusetts: The piping and final gas connection must be performed by a licensed plumber or gas fitter in the State of Massachusetts. Also, see Carbon Monoxide Detector requirements under "Safety and Warning Information" on page 5.

Manufactured by
MILES INDUSTRIES LTD.
British Columbia, Canada
www.milesfireplaces.com



Thank You ...

For purchasing a Valor by Miles Industries. Your new radiant gas heater is a technical appliance that must be installed by a qualified dealer. Each Valor fireplace is fully tested during the production process for your safety and comfort.


Your unit has been professionally installed by:

Dealer Name _____

Phone Number _____

**Should you encounter an operational problem, call your dealer immediately.
Do not try to repair the unit as you may cause an injury or damage the fireplace.**

The information contained in this installation manual is believed to be correct at the time of printing. Miles Industries Ltd. reserves the right to change or modify any information or specifications without notice. Miles Industries Ltd. grants no warranty, implied or stated, for the installation or maintenance of your heater, and assumes no responsibility for any consequential damage(s).

 <p>NATIONAL FIREPLACE INSTITUTE NFI ADVOCATE</p>	<p>We recommend that our gas hearth products be installed and serviced by professionals who are certified in the United States by NFI (National Fireplace Institute®).</p>
---	---

 WARNING	
	<p>HOT GLASS WILL CAUSE BURNS. DO NOT TOUCH GLASS UNTIL COOLED. NEVER ALLOW CHILDREN TO TOUCH GLASS.</p>

<p>Designed and Manufactured by / for Miles Industries Ltd. 190 – 2255 Dollarton Highway, North Vancouver B.C., CANADA. V7H 3B1 Tel. (604) 984-3496 Fax (604) 984-0246 www.milesfireplaces.com © Copyright Miles Industries Ltd., 2008</p>
--

Table of Contents

Safety and Warning Information	4
Options	7
Dimensions	8
Specifications	9
Location.....	10
Recessed Insert Applications	17
Horizontal Termination Locations.....	18
Supply Gas.....	19
Pack Contents.....	19
Appliance Preparation	21
Installations with Horizontal Termination—Installing to Wall	26
Installations with Vertical Termination—Through the Roof	28
Remote Control Installation.....	29
Gas Supply Installation.....	30
Aeration Setting Check.....	30
Ceramic Fuel Bed Installation	31
Window Refitting & Checking	32
Operation Checks.....	32
Front Installation	33
Owner’s Information.....	34
Lighting Instructions.....	38
Approved Venting Components.....	39
Warranty	41

Safety and Warning Information

READ and **UNDERSTAND** all instructions carefully before starting the installation. **FAILURE TO FOLLOW** these installation instructions may result in possible fire hazard and will void the warranty.

Prior to the first firing of the fireplace, **READ** the Owner's Information section of this manual.

DO NOT USE this appliance if any part has been under water. Immediately, **CALL** a qualified service technician to inspect the unit and to replace any part of the control system and any gas control that has been under water.

THIS UNIT IS NOT FOR USE WITH SOLID FUEL.

Installation and repair should be **PERFORMED** by a qualified service person. The appliance and venting system should be **INSPECTED** before initial use and at least annually by a professional service person. More frequent cleaning may be required due to excessive lint from carpeting, bedding, etc. It is **IMPERATIVE** that the unit's control compartment, burner, and circulating air passageways **BE KEPT CLEAN** to provide for adequate combustion and ventilation air.

Always **KEEP** the appliance clear and free from combustible materials, gasoline, and other flammable vapors and liquids.

NEVER OBSTRUCT the flow of combustion and ventilation air. Keep the front of the appliance **CLEAR** of all obstacles and materials for servicing and proper operation.

Due to the high temperature, the appliance should be **LOCATED** out of traffic areas and away from furniture and draperies. Clothing or flammable material **SHOULD NOT BE PLACED** on or near the appliance.

Children and adults should be **ALERTED** to the hazards of high surface temperature and should **STAY AWAY** to avoid burns or clothing ignition. Young children should be **CAREFULLY SUPERVISED** when they are in the same room as the appliance.

This unit **MUST** be used with a vent system as described in this installation manual. **NO OTHER** vent system or components **MAY BE USED**.

This gas fireplace and vent assembly **MUST** be vented directly to the outside and **MUST NEVER** be attached to a chimney serving a separate solid fuel burning appliance. Each gas appliance **MUST USE** a separate vent system. Common vent systems are **PROHIBITED**.

INSPECT the external vent cap on a regular basis to make sure that no debris, plants, trees, shrubs are interfering with the air flow.

The glass door assembly **MUST** be in place and sealed before the unit can be placed into safe operation.

DO NOT OPERATE this appliance with the glass door removed, cracked, or broken. Replacement of the glass door should be performed by a licensed or qualified service person. **DO NOT** strike or slam the glass door.

The glass door assembly **SHALL ONLY** be replaced as a complete unit, as supplied by the fireplace manufacturer. **NO SUBSTITUTE** material may be used.

DO NOT USE abrasive cleaners on the glass door assembly. **DO NOT ATTEMPT** to clean the glass door when it is hot.

TURN OFF the gas before servicing this appliance. It is recommended that a qualified service technician perform an appliance check-up at the beginning of each heating season.

Any safety screen or guard removed for servicing **MUST BE REPLACED** before operating this appliance.

DO NOT place furniture or any other combustible household objects within 36" of the fireplace front.

BE CAREFUL not to put any decorating objects sensitive to heat too close near or above the fireplace as it gets very hot when operating.

DO NOT use this heater as a temporary source of heat during construction.

NOTE: When operating your new fireplace for the first time, some vapors may be released due to the burning of curing compounds used in the manufacture of the appliance. They may cause a slight odor and could cause the flames to be the full height of the firebox, or even slightly higher, for the first few hours of operation. It is also possible that these vapors could set off any smoke detection alarms in the immediate vicinity. These vapors are quite normal on new appliances. We recommend opening a window to vent the room. After a few hours use, the vapors will have disappeared and the flames will be at their normal height.

Safety and Warning Information

State of California. Proposition 65 Warning. Fuels used in gas, wood-burning or oil fired appliances, and the products of combustion of such fuels, contain chemicals known to the State of California to cause cancer, birth defects and other reproductive harm. California Health & Safety Code Sec. 25249.6.

State of Massachusetts Carbon Monoxide Detector/Vent Terminal Signage Requirements

For all side wall horizontally vented gas fueled equipment installed in every dwelling, building or structure used in whole or in part for residential purposes, including those owned or operated by the Commonwealth and where the side wall exhaust vent termination is less than seven (7) feet above finished grade in the area of the venting, including but not limited to decks and porches, the following requirements shall be satisfied:

1. **INSTALLATION OF CARBON MONOXIDE DETECTORS.** At the time of installation of the side wall horizontal vented gas fueled equipment, the installing plumber or gas fitter shall observe that a hard wired carbon monoxide detector with an alarm and battery back-up is installed on the floor level where the gas equipment is to be installed. In addition, the installing plumber or gas fitter shall observe that a battery operated or hard wired carbon monoxide detector with an alarm is installed on each additional level of the dwelling, building or structure served by the side wall horizontal vented gas fueled equipment. It shall be the responsibility of the property owner to secure the services of qualified licensed professionals for the installation of hard wired carbon monoxide detectors.

a. In the event that the side wall horizontally vented gas fueled equipment is installed in a crawl space or an attic, the hard wired carbon monoxide detector with alarm and battery back-up may be installed on the next adjacent floor level.

b. In the event that the requirements of this subdivision can not be met at the time of completion of installation, the owner shall have a period of thirty (30) days to comply with the above requirements; provided, however, that during said thirty (30) day period, a battery operated carbon monoxide detector with an alarm shall be installed.

2. **APPROVED CARBON MONOXIDE DETECTORS.** Each carbon monoxide detector as required in accordance with the above provisions shall comply with NFPA 720 and be ANSI/UL 2034 listed and IAS certified.

3. **SIGNAGE.** A metal or plastic identification plate shall be permanently mounted to the exterior of the building at a minimum height of eight (8) feet above grade directly in line with the exhaust vent terminal for the horizontally vented gas fueled heating appliance or equipment. The sign shall read, in print size no less than one-half (1/2) inch in size, "GAS VENT DIRECTLY BELOW. KEEP CLEAR OF ALL OBSTRUCTIONS".

4. **INSPECTION.** The state or local gas inspector of the side wall horizontally vented gas fueled equipment shall not approve the installation unless, upon inspection, the inspector observes carbon monoxide detectors and signage installed in accordance with the provisions of 248 CMR 5.08(2)(a)1 through 4.

(b) **EXEMPTIONS:** The following equipment is exempt from 248 CMR 5.08(2)(a)1 through 4:

1. The equipment listed in Chapter 10 entitled "Equipment Not Required To Be Vented" in the most current edition of NFPA 54 as adopted by the Board; and

2. Product Approved side wall horizontally vented gas fueled equipment installed in a room or structure separate from the dwelling, building or structure used in whole or in part for residential purposes.

(c) **MANUFACTURER REQUIREMENTS - GAS EQUIPMENT VENTING SYSTEM PROVIDED.** When the manufacturer of Product Approved side wall horizontally vented gas equipment provides a venting system design or venting system components with the equipment, the instructions provided by the manufacturer for installation of the equipment and the

Safety and Warning Information

venting system shall include:

1. Detailed instructions for the installation of the venting system design or the venting system components; and
2. A complete parts list for the venting system design or venting system.

(d) **MANUFACTURER REQUIREMENTS - GAS EQUIPMENT VENTING SYSTEM NOT PROVIDED.** When the manufacturer of a Product Approved side wall horizontally vented gas fueled equipment does not provide the parts for venting the flue gases, but identifies “special venting systems”, the following requirements shall be satisfied by the manufacturer:

1. The referenced “special venting system” instructions shall be included with the appliance or equipment installation instructions; and
2. The “special venting systems” shall be Product Approved by the Board, and the instructions for that system shall include a parts list and detailed installation instructions.

(e) A copy of all installation instructions for all Product Approved side wall horizontally vented gas fueled equipment, all venting instructions, all parts lists for venting instructions, and/or all venting design instructions shall remain with the appliance or equipment at the completion of the installation.

Options

Heater engine unit #534XAN is used with all natural gas installations.
Heater engine unit #534XAP is used with all propane gas installations.

Optional features

Circulating Fan Kit #755CFK

Having variable speed and temperature control, it is designed to boost the natural convection process through the appliance. It may be fitted before the fireplace is installed or retrofitted at a later date.

Natural Gas Conversion Kit #607NGK

For conversion from propane to natural gas. Intended primarily for post installation conversion in areas where natural gas was not available at the time of initial installation.

Venting options

Direct vent installations (solid piping)

A list of all approved venting accessories is shown on pages 39–40 of this manual.

Direct Vent Co-Linear Installations (flexible piping)

Converts the appliance outlet collars to accept two 3" dia. flex liners for installation into existing solid fuel burning fireplaces and chimneys. Requires a co-linear adapter at the appliance and either a co-linear terminal or co-linear-to-co-axial adapter and terminal at the top of the chimney. A list of approved venting accessories is shown on pages 39–40 of this manual.

Dimensions

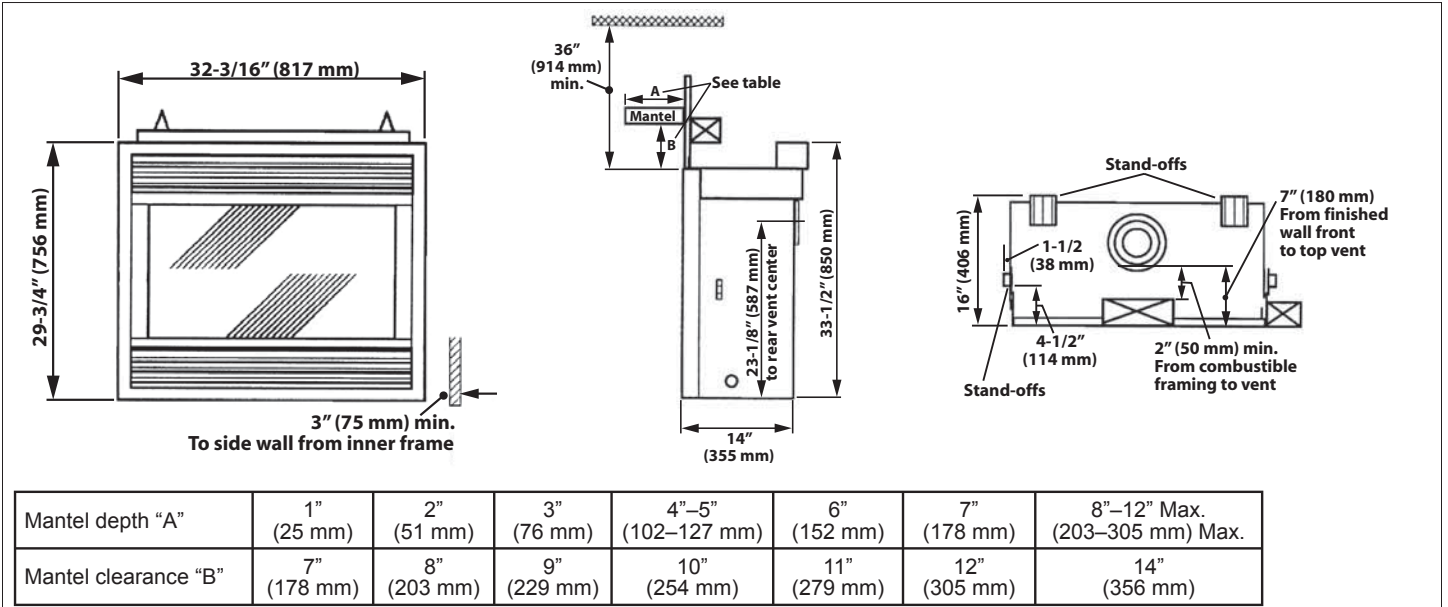


Figure 1 Major dimensions & clearances without optional trims (shows with #601SFB Front)

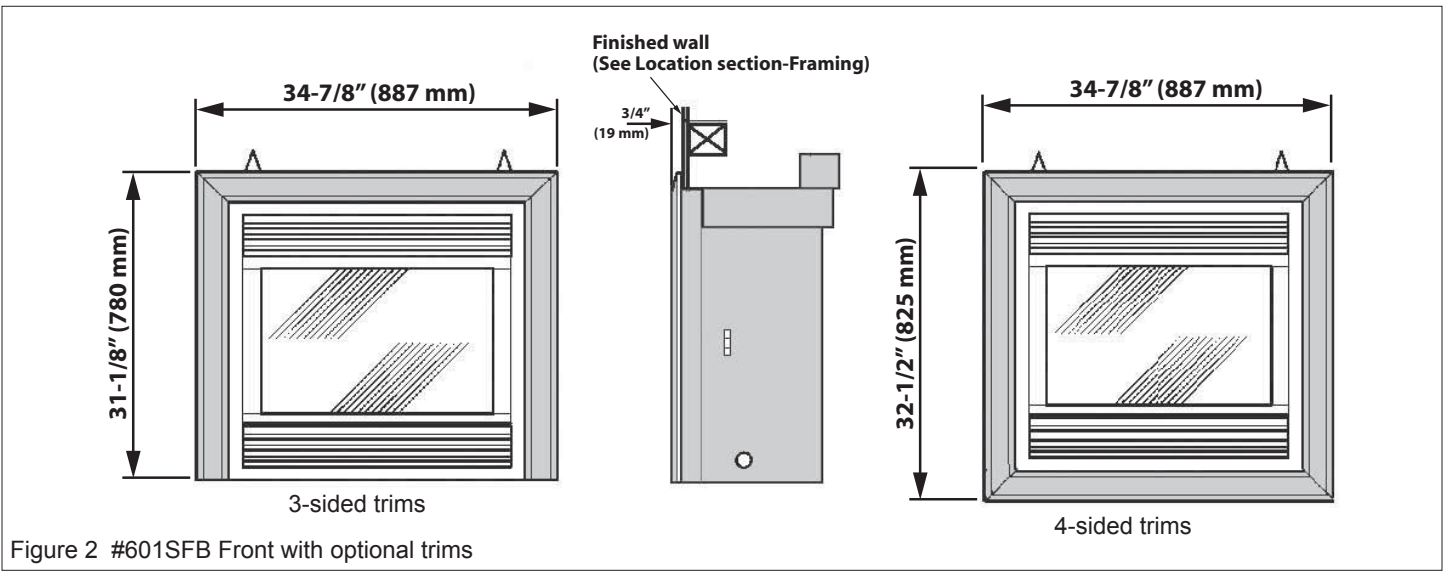


Figure 2 #601SFB Front with optional trims

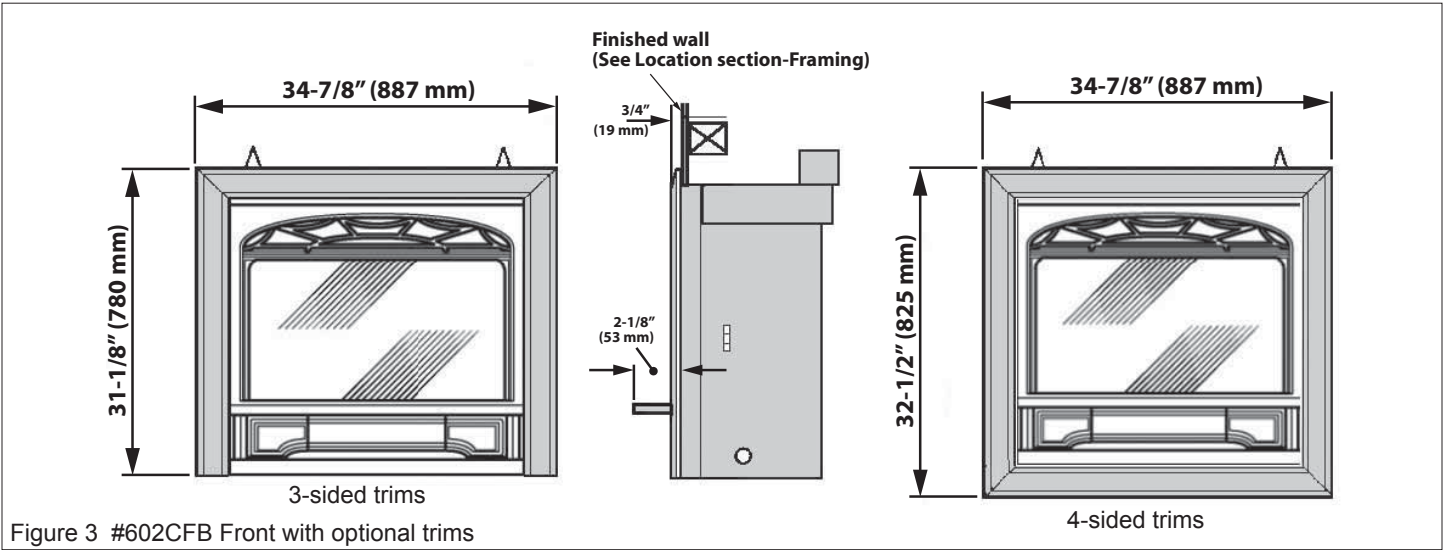


Figure 3 #602CFB Front with optional trims

Specifications

Approvals & codes

These appliances are certified by ANSI Z21.88-2007 / CSA 2.33-2007 *Vented Gas Fireplace Heater* for use in Canada and USA. These appliances are for installation directly venting through an outside wall or through the roof.

Model 534XAN is for use with natural gas.

Model 534XAP is for use with propane gas. It can be converted for use with natural gas with kit #607NGK.

These appliances comply with CGA P.4.1 *Testing method for measuring annual fireplace efficiencies*.

The installation must conform with local codes or, in the absence of local codes with the *National Fuel Gas Code, ANSI Z223.1* or the *Natural Gas and Propane Installation Code CAN/CGA-B149*. Only qualified licensed or trained personnel should install these appliances.

These appliances, when installed, must be electrically grounded in accordance with local codes or, in the absence of local codes, with the *National Electrical Code, ANSI/NFPA 70* or the *Canadian Electrical Code, CSA C22.1*.

Model	534XAN	534XAP
Gas	Natural	Propane
Altitude (Ft.)	0-4500 *	
Input Max. (Btu/h)	24,000	24,000
Input Min. (Btu/h)	6,500	13,000
Manifold pressure (in w.c.)	3.8 – 4.2	9.3 – 9.7
Min. Supply pressure (in. w.c.)	5.0	11.0
Max. Supply pressure (in. w.c.)	10.5	14.0

*Tested to *CAN/CGA - 2.17 Gas fired appliances for use at high altitudes*. In the USA, installations may require deration over 2000'—check local codes.

Wall Thickness

The vent system (when horizontally terminated) is approved to pass through combustible wall construction of up to 14" (36 cm) thick.

A non-combustible wall can be any thickness up to the maximum horizontal run of vent pipe allowed for the particular installation—see *Location* section.

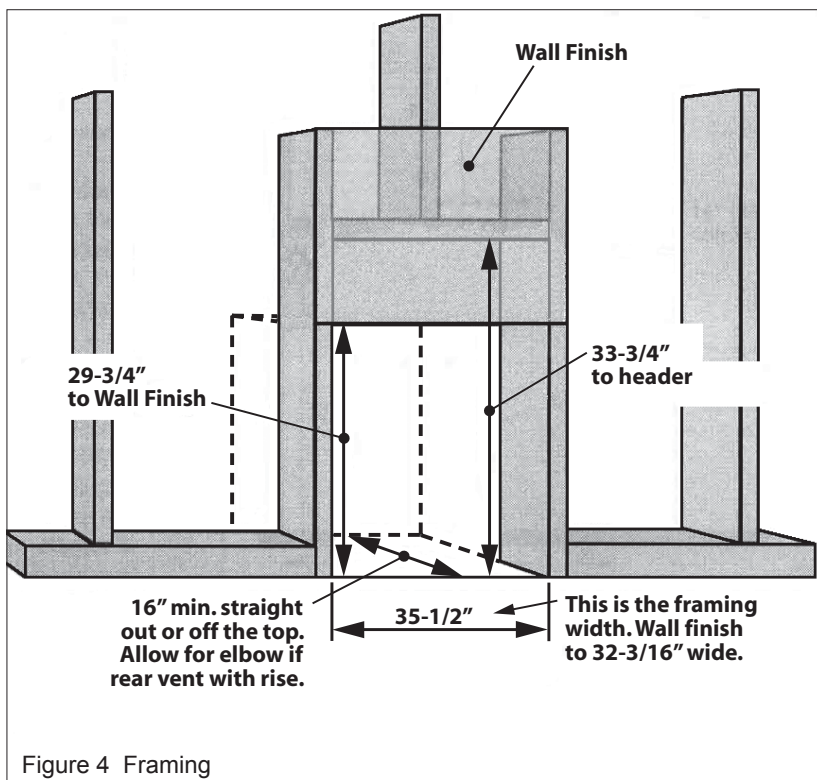
Location

Framing

The framing dimensions are shown in Figure 4.

- A non-combustible hearth is not necessary in front of this appliance.
- Note that the unit is installed at the framing stage and fixed to framing using support angles. See figures 26 and 30. Wall finish is then installed over the support angles up to the black frame on the unit.

NOTE: If using a 612DKA or a 613CCB front, refer to the kit's instruction manual for framing dimensions.



Rear Vent Connection—Flat on Wall

See figure 5.

Requires standard vent kit #551DVK only.

The horizontal vent run cannot be extended by the use of any vent accessory pipes.

Rear Vent Connection—Flat on Wall with Snorkel Termination

See figure 6.

For use on horizontal installations where the outside ground level is too close to the standard terminal. Adapter #817VAK, a pipe length and snorkel termination will be required. See venting accessories list on pages 39–40 for allowable components.

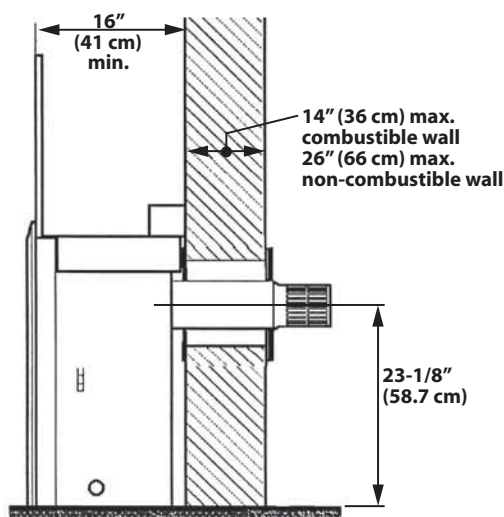


Figure 5 Rear vent—flat on wall

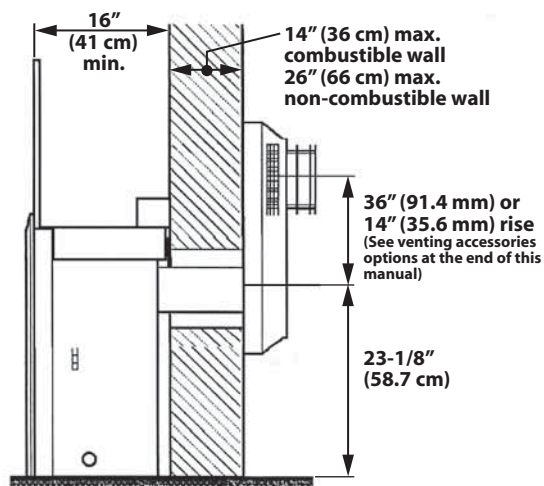


Figure 6 Rear vent—flat on wall with snorkel

Location

Rear Vent Connection—Vertical Vent Rise with Horizontal Rear Termination

See figure 7.

Can be used with either #551DVK standard vent kit or another terminal cap and accessories.

Adapter #817VAK, two 90° elbows and pipe lengths will be required. See venting accessories list on pages 39–40 for allowable components.

The location requirements are shown in the table and graph below and figure 7.

	Minimum	Maximum
A: From floor to top of vent duct	4'-3½" (131 cm)	9'-3½" (283 cm)
B: Frame front face to outside wall	-	12'-5½" (380 cm)
C: Frame front face to inside wall	2'-5½" (75 cm)	-
D: Vertical pipe run between elbows	12" (30.5 cm)	6' (183 cm)
E₁ + E₂: Total horizontal pipe run including terminal pipe but excluding adapter and elbows	-	10' (305 cm) with no elbows in horizontal run
F: Clearance to combustible materials above horizontal pipe run inside building (Outside wall shields/thimbles)	1" (2.5 cm)	-
G: Clearance to combustible materials below horizontal pipe run	1-5/16" (3.3 cm)	-
H: Clearance to combustible materials all round vertical pipe run and at sides of horizontal pipe run	2" (5.1 cm)	-

For installations with a horizontal rear termination, the combination of horizontal and vertical vent pipes must be within the allowed area shown in Graph 1. A minimum vertical pipe run of 12" is necessary.

Example a: If a vertical rise of 3' is required, the horizontal run must not be more than 7'9".

Example b: If a horizontal run of 3'6" is required, the vertical run must be at least 1'9".

If the horizontal pipe run is redirected using a further 90° elbow, the maximum total horizontal run allowed is reduced by 3' to 7'. Redirection using 45° elbows reduces the maximum total horizontal run by 18" per elbow.

Rear Vent Connection—Vertical Vent Rise with Horizontal Snorkel Termination

For "semi-basement" situations where a snorkel accessory alone does not raise the termination sufficiently above ground level. The dimensional requirements in the section above, figure 7, and graph 1 apply.

Adapter #817VAK, two 90° vent elbows, pipe lengths and a snorkel termination will be required. A thimble kit may also be necessary. See venting accessories list on pages 39–40 for allowable components.

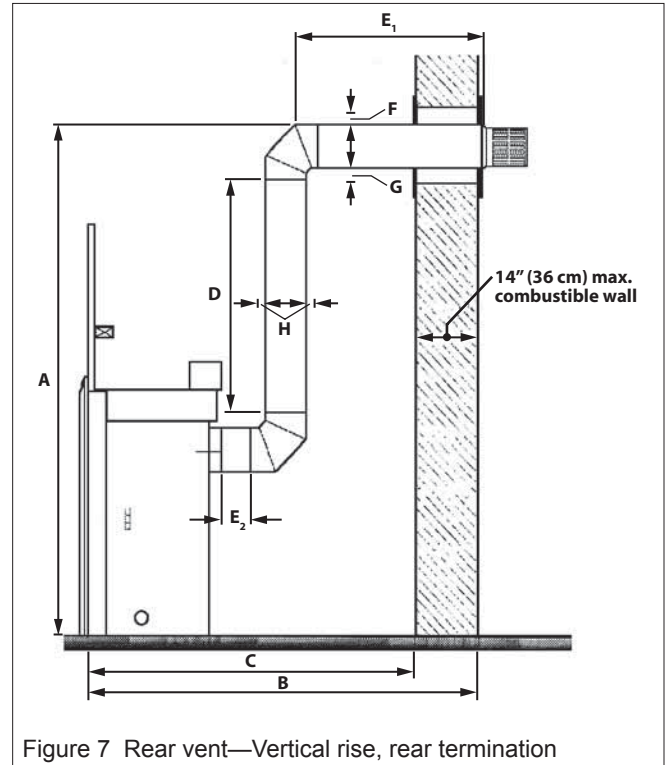
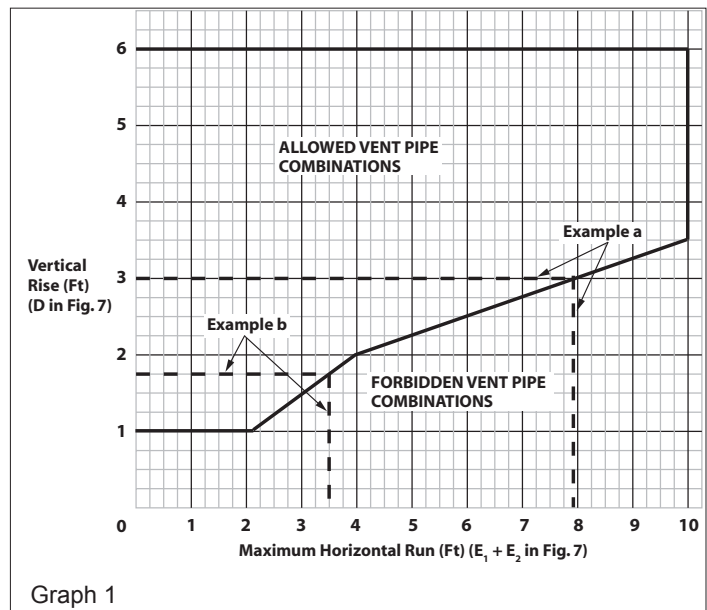


Figure 7 Rear vent—Vertical rise, rear termination



Graph 1

Location

Rear Vent Connection—Corner Location, Horizontal Vent Run ONLY

See figure 8.

Can be used with either #551DVK standard vent kit or another terminal cap and accessories. Adapter #817VAK and 45° elbow will be required. See venting accessories list on pages 39–40 for allowable components.

Rear Vent Connection—Corner Location, Vertical Rise, Horizontal Termination

See figure 9.

Can be used with either #551DVK standard vent kit or another terminal cap and accessories. Adapter #817VAK, two 90° elbows and pipe lengths will be required. See venting accessories list on pages 39–40 for allowable components.

All the vent pipe dimensional limits are as section *Rear Vent Connection—Vertical Vent Rise with Horizontal Rear Termination*.

Rear Vent Connection—Vertical Rise, through the Roof Termination

See figure 10.

Adapter #817VAK, one 90° vent elbow, pipe lengths, a vertical vent terminal and roof flashing will be required. Various other ceiling or roof items may be necessary depending on the particular installation. See venting accessories list on pages 39–40 for allowable components.

Note

1. The distance from the roof to the lowest terminal discharge opening depends on the roof pitch and must be in accordance with the manufacturer's instructions supplied with the termination unit.
2. The venting system for these appliances is considered to be a **Special Venting System**. The rule in the *Natural Gas and Propane Installation Code CAN/CGA-B149* requiring a minimum vent height of 2' above any portion of a building within 10' does not, therefore, apply.

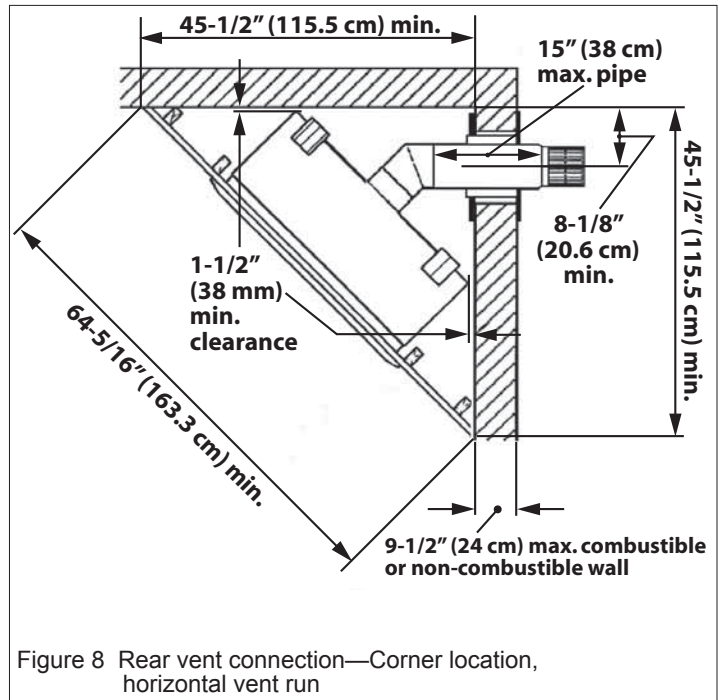


Figure 8 Rear vent connection—Corner location, horizontal vent run

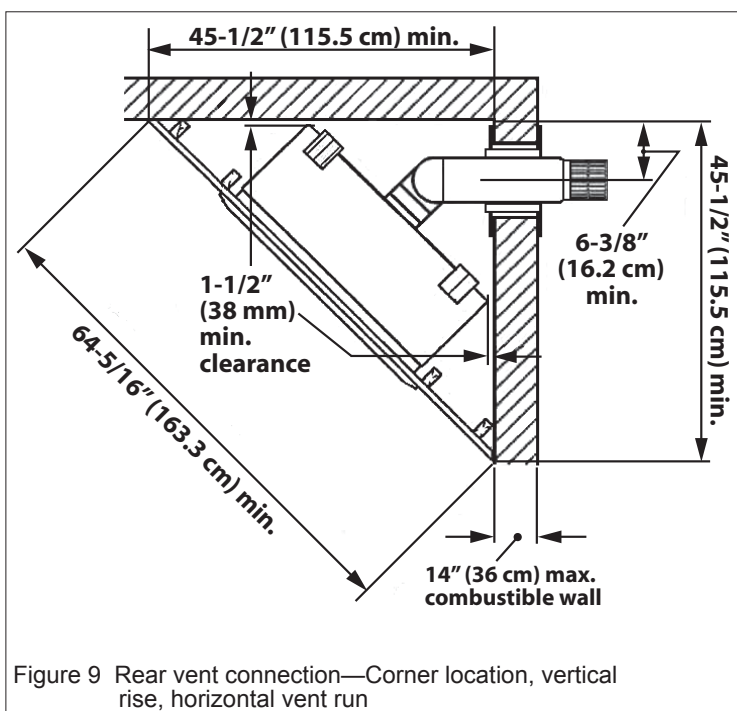


Figure 9 Rear vent connection—Corner location, vertical rise, horizontal vent run

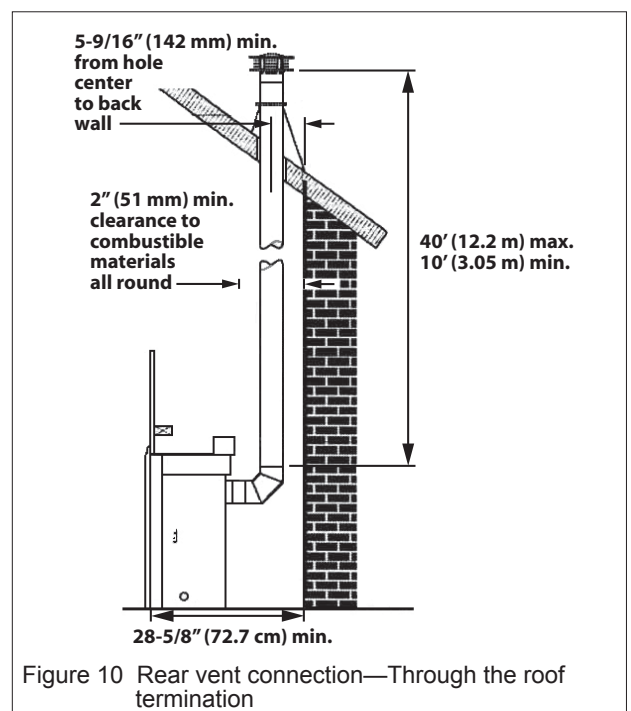


Figure 10 Rear vent connection—Through the roof termination

Location

Rear Vent Connection—Vertical Rise with Offset, through the Roof Termination

See figure 11.

For situations where offset is necessary in an attic to avoid obstructions or allow useful space.

Adapter #817VAK, one 90° vent elbow, two 45° vent elbows, pipe lengths, a vertical vent terminal and roof flashing will be required. Various other ceiling or roof items may be necessary depending on the particular installation. See venting accessories list on pages 39–40 for allowable components.

Note

1. The distance from the roof to the lowest terminal discharge opening depends on the roof pitch and must be in accordance with the manufacturer's instructions supplied with the termination unit.
2. The venting system for these appliances is considered to be a **Special Venting System**. The rule in the *Natural Gas and Propane Installation Code CAN/CGA-B149* requiring a minimum vent height of 2' above any portion of a building within 10' does not, therefore, apply. See figure 11a.

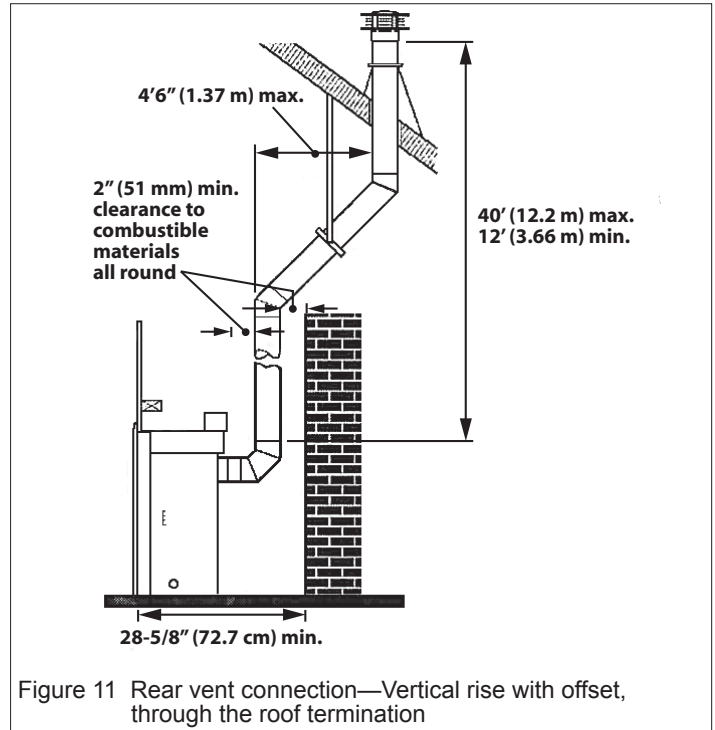


Figure 11 Rear vent connection—Vertical rise with offset, through the roof termination

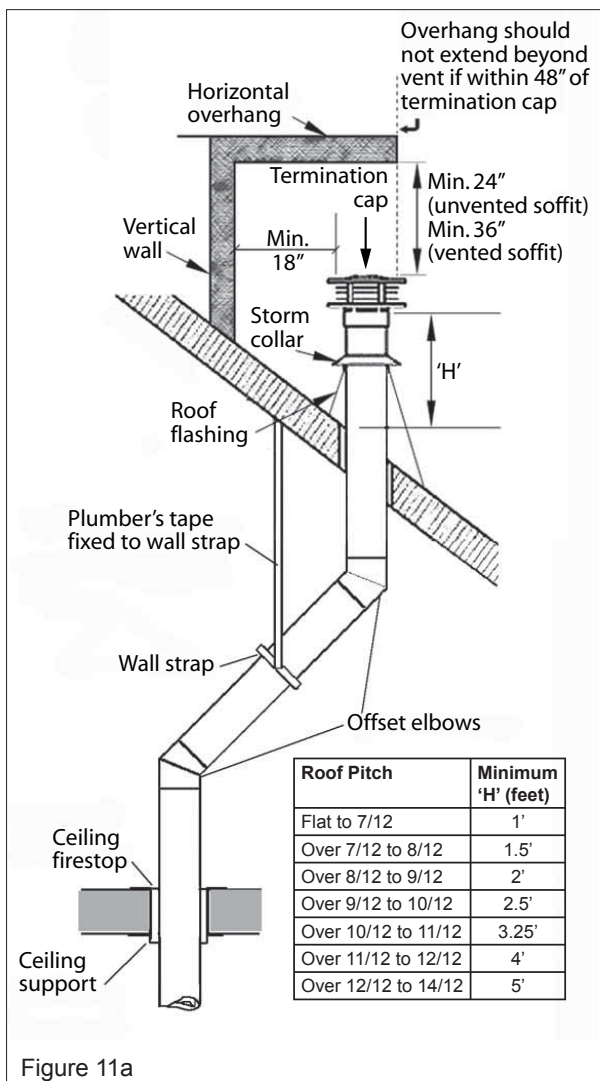


Figure 11a

Location

Top Vent Connection—Horizontal Rear Termination

See figure 12.

Can be used with either #551DVK standard vent kit or another terminal cap and accessories.

Adapter #817VAK, one 90° vent elbow and pipe lengths will be required. See venting accessories list on pages 39–40 for allowable components.

The location requirements are shown in the table and graph below and figure 12.

	Minimum	Maximum
A: From floor to top of vent duct	3'-7 ⁹ / ₁₆ " (111 cm)	9'-1 ⁹ / ₁₆ " (278 cm)
B: Frame front face to outside wall	-	11'4" (345 cm)
C: Frame front face to inside wall	16" (40.6 cm)	-
D: Vertical pipe run between elbows	6" (15.2 cm)	6' (183 cm)
E: Total horizontal pipe run from elbow (including terminal pipe)	-	10' (305 cm) with no elbow in horizontal run
F: Clearance to combustible materials above horizontal pipe run inside building (Outside wall shields/thimbles)	1" (2.5 cm)	-
G: Clearance to combustible materials below horizontal pipe run	1- ⁵ / ₁₆ " (3.3 cm)	-
H: Clearance to combustible materials all round vertical pipe run and at sides of horizontal pipe run	2" (5.1 cm)	-

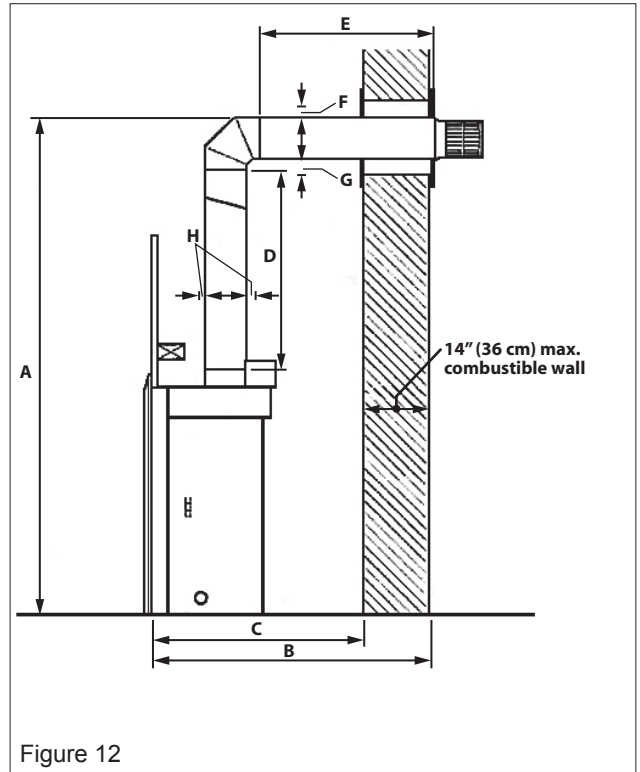
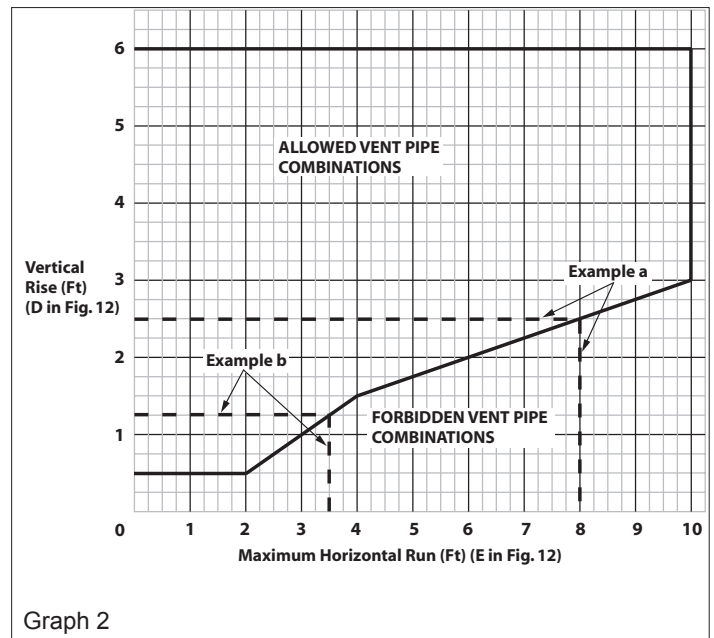


Figure 12



Graph 2

For installations with a horizontal rear termination, the combination of horizontal and vertical vent pipes must be within the allowed area shown in Graph 2. A minimum vertical pipe run of 6" is necessary.

Example a: If a vertical rise of 2'6" is required, the horizontal run must not be more than 8'.

Example b: If a horizontal run of 3'6" is required, the vertical run must be at least 1'3".



The horizontal vent pipe run may be redirected by using elbows up to a total of 180° but the maximum horizontal run (E in figure 7 & graph 1) is reduced by 18" for every 45°. For example, if two 90° elbows are used as in figure 13, the maximum horizontal run is reduced by 3' per elbow—total reduction = 6'.

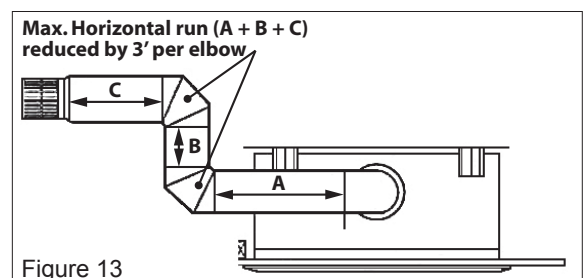


Figure 13

Location

Top Vent Connection—Horizontal Side Termination

The vent pipe dimensional requirements in section *Top Vent Connection—Horizontal Rear Termination* apply.

The minimum floor location is shown in figure 14. Can be used with either #551DVK standard vent kit or another terminal cap and accessories. Adapter #817VAK, one 90° vent elbow and pipe lengths will be required. See venting accessories list on pages 39–40 for allowable components.

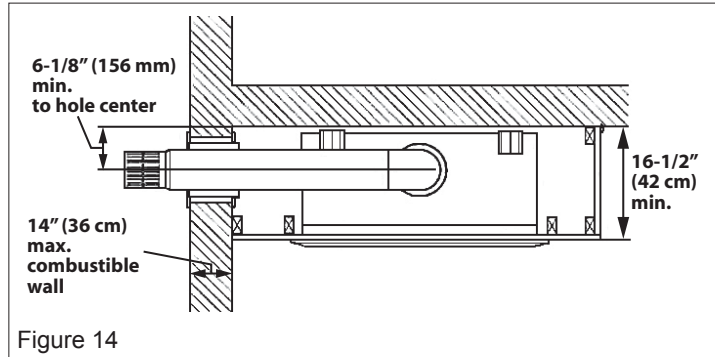


Figure 14

Top Vent Connection—Horizontal Side or Rear Snorkel Termination

The vent pipe dimensional requirements in sections *Top Vent Connection—Horizontal Rear Termination* and *Top Vent Connection—Horizontal Side Termination* apply.

Adapter #817VAK, one 90° vent elbow, a snorkel termination and pipe lengths will be required. A thimble kit may also be necessary. See venting accessories list on pages 39–40 for allowable components.

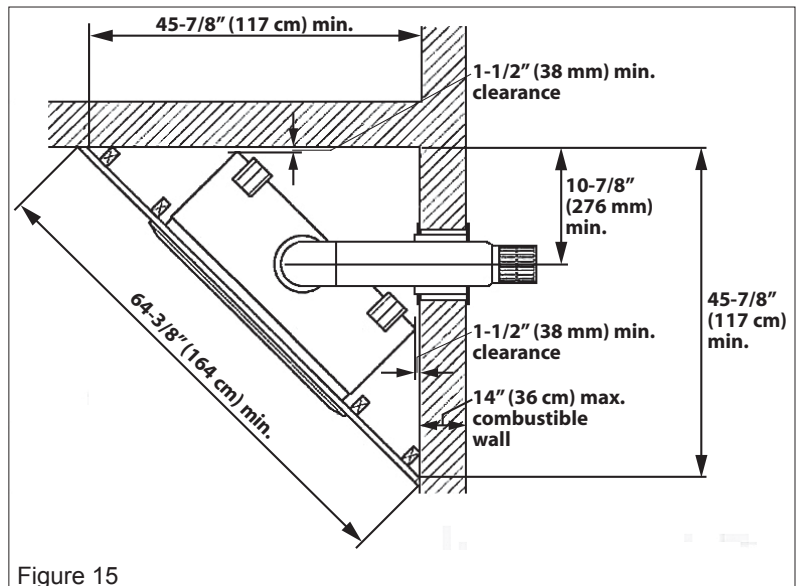


Figure 15

Top Vent Connection—Corner Location, Horizontal Termination, 45° Pipe Run

The vent pipe dimensional requirements in section *Top Vent Connection—Horizontal Rear Termination* apply.

The minimum corner location is shown in figure 15. Can be used with either #551DVK standard vent kit or another terminal cap and accessories. Adapter #817VAK, one 90° vent elbow and pipe lengths will be required. See venting accessories list on pages 39–40 for allowable components.

Location

Top Vent Connection—Through the Roof Termination*

See figure 16.

Adapter #817VAK, pipe lengths, a vertical vent terminal and roof flashing will be required. Various other ceiling or roof items may be necessary depending on the particular installation. See venting accessories list on pages 39–40 for allowable components.

Top Vent Connection—Offset and Through the Roof Termination*

See figure 17.

For situations where offset is necessary in an attic to avoid obstructions or allow useful space.

Adapter #817VAK, two 45° vent elbows, wall straps, pipe lengths, a vertical vent terminal and roof flashing will be required. Various other ceiling or roof items may be necessary depending on the particular installation. See venting accessories list on pages 39–40 for allowable components.

*Note

1. The distance from the roof to the lowest terminal discharge opening depends on the roof pitch and must be in accordance with the manufacturer's instructions supplied with the termination unit.
2. The venting system for these appliances is considered to be a **Special Venting System**. The rule in the *Natural Gas and Propane Installation Code CAN/CGA-B149* requiring a minimum vent height of 2' above any portion of a building within 10' does not, therefore, apply. See figure 17a.

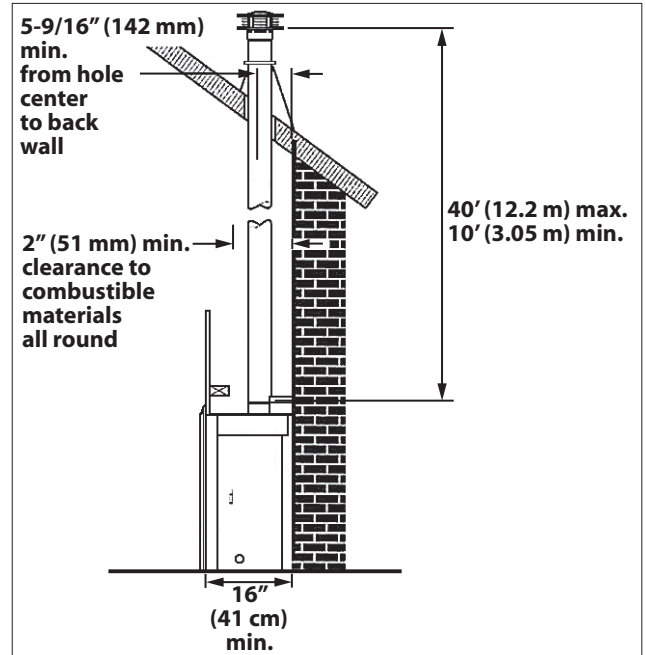


Figure 16

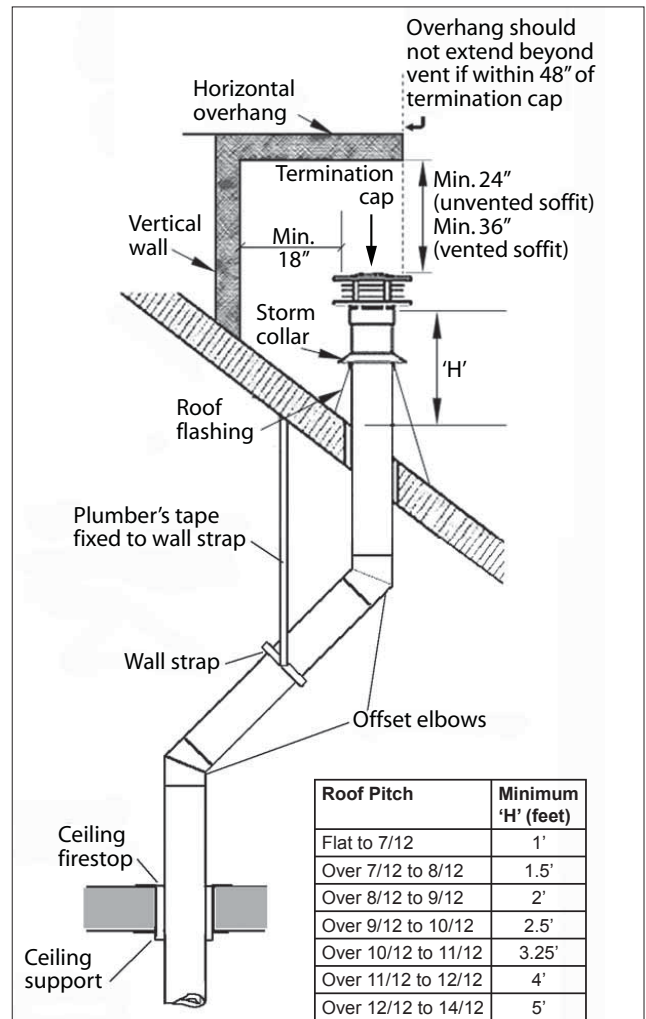


Figure 17a

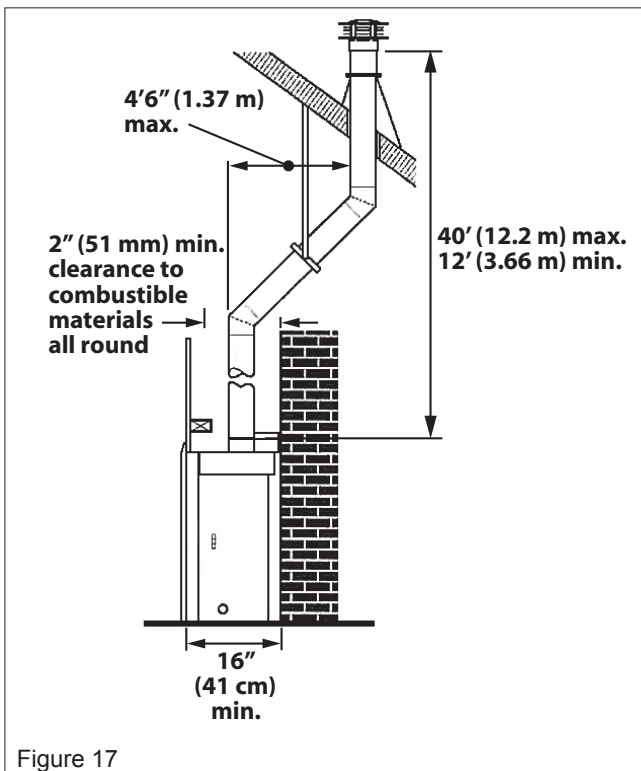


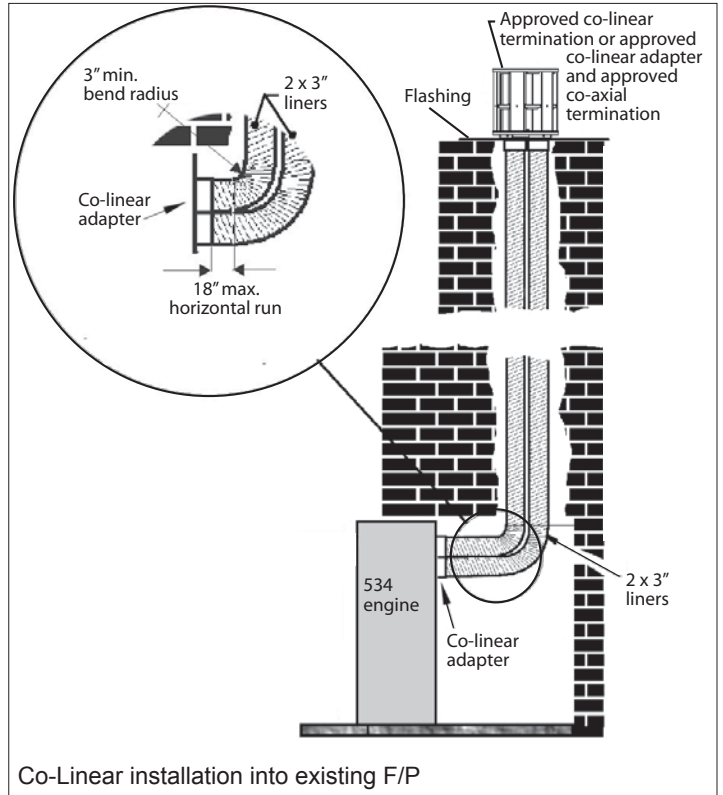
Figure 17

Recessed Insert Applications

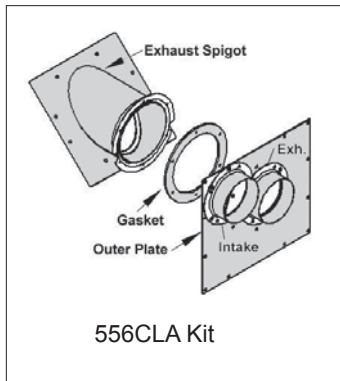
Rear or Top Outlet Conversion to Co-Linear Liners using Valor #556CLA Co-Linear Adapter. (Generic co-axial to co-linear adapter boxes may also be used as an alternate to the 556CLA).

Only for use when retrofitting a solid-fuel burning fireplace and chimney.

The appliance must not be connected to a chimney flue serving a separate solid-fuel burning appliance. Requires #556CLA Co-Axial to Co-Linear Appliance Adapter (or, alternatively, a generic adapter), two lengths of 3" dia. flexible chimney liner, co-linear termination kit and flashing and either high wind vertical vent terminal cap or a low profile vertical termination. *Zero Clearance stand-offs and shields supplied with the heater are not required for this application.*



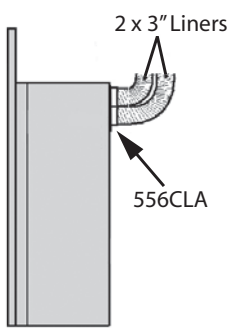
Co-Linear installation into existing F/P



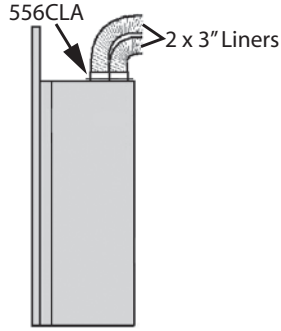
556CLA Kit



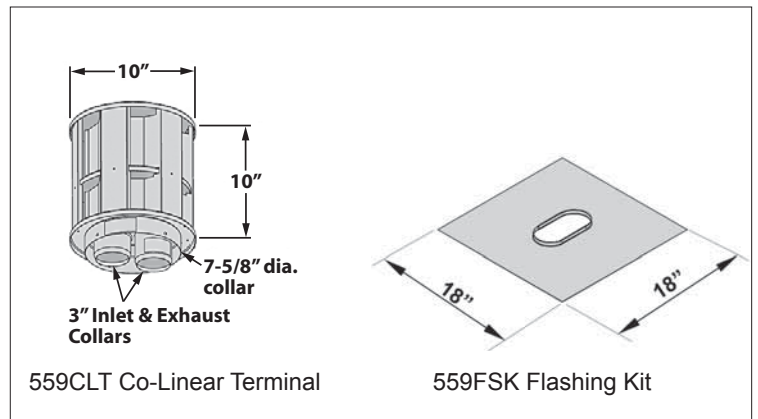
Co-Axial to Co-Linear Adapter (alternate to #556CLA)



556CLA Rear Mounted

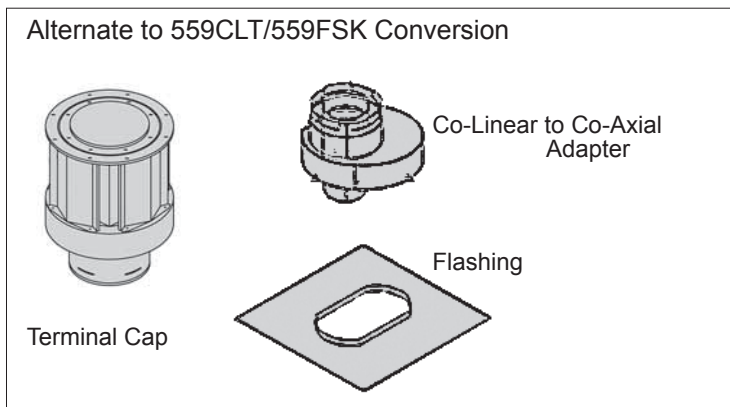


556CLA Top Mounted



559CLT Co-Linear Terminal

559FSK Flashing Kit



Alternate to 559CLT/559FSK Conversion

Terminal Cap

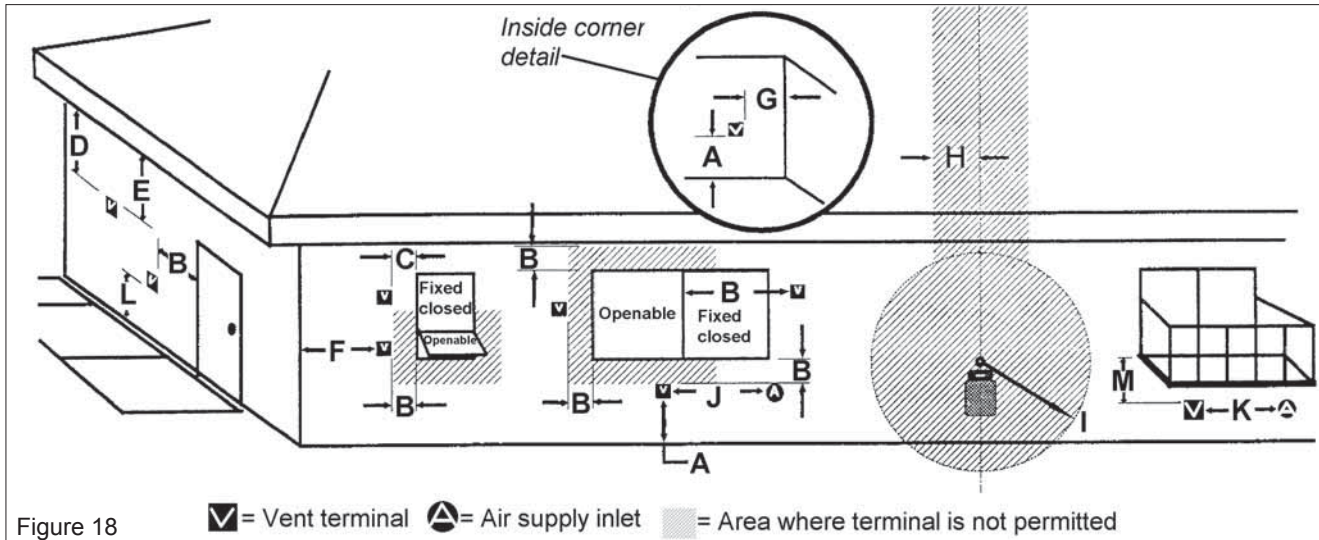
Co-Linear to Co-Axial Adapter

Flashing

Horizontal Termination Locations

Vent Location

- The vent terminal must be located on an outside wall or through the roof.
- This direct vent appliance is designed to operate when an undisturbed airflow hits the outside vent terminal from any direction.
- The minimum clearances from this terminal that must be maintained when located on an outside wall are shown in figure below. Any reduction in these clearances could result in a disruption of the airflow or a safety hazard. Local codes or regulations may require greater clearances.
- The vent terminal must not be recessed into a wall or siding.
- The vent terminal should be positioned where any snowdrifts will not cover it.
- Sidewall vent terminations within 7' of grade require a terminal guard when used with a 551DVK.



KEY	VENT TERMINAL LOCATIONS - MINIMUM DISTANCES—See figure 18	MIN. CLEARANCES	
		in	cm
A	Clearance above grade, verandah, porch, deck or balcony	12	30
B	Clearance to window or door that may be opened	12	30
C	Clearance to permanently closed window (recommended to prevent condensation on window)	12	30
D	Vertical clearance to ventilated soffit located above the terminal within a horizontal distance of 2 feet (60 cm) from the center-line of the terminal	18	46
E	Clearance to unventilated soffit	12	30
F	Clearance to outside corner	12	30
G	Clearance to inside corner	12	30
H	Horizontal clearance to center-line of meter/regulator assembly located within 15 feet (4.6 m) below the terminal	36	90
I	Clearance to service regulator vent outlet	36	90
J	Clearance to non-mechanical air supply inlet to the building or the combustion air inlet to any other appliance	12	30
K	Clearance to a mechanical air supply inlet	72	180
L	Clearance above paved sidewalk or a paved driveway located on public property. Note: A vent must not terminate directly above a sidewalk or paved driveway, which is located between two single-family dwellings and serves both dwellings.	84	210
M	Clearance under a verandah, porch, deck or balcony. Only permitted if veranda, porch, deck or balcony is fully open on a minimum of 2 sides beneath the floor.	12	30

Note: Local codes and regulations may require different clearances.

Supply Gas

Heater engine unit #534XAN is used with all natural gas installations.

Heater engine unit #534XAP is used with all propane gas installations.

The supply pressure must be between the limits shown in the section *Specifications* of this manual.

The supply connection is 3/8" NPT.

The opening for the gas supply line is at the rear left corner of the appliance.

Pack Contents

See figure 19

#534XAN or #534XAP Engine Unit

- 1 Appliance engine unit fitted with window
- 1 Ceramic ash bed
- 5 Ceramic logs
- 1 Firebox ceramic rear wall
- 2 Firebox ceramic sidewalls
- 1 Port cover
- 2 Frame side fixing brackets
- 1 Ash bed rear support
- 2 Restrictor plates type "A"
- 2 Restrictor plates type "B"
- 2 Restrictor plates type "C"
- 1 Gas inlet pipe connection adapter
- 1 Top heat shield panel with blanking plate
- 1 Frame top support angle
- 2 Stand-off brackets
- 2 Screws for wall switch plate
- 4 Screws for frame side fixing brackets
- 2 Screws for top heat shield panel
- 3 Screws for frame top support angle
- 6 Screws for stand-off brackets
- 2 Screws for vent fixing
- 4 Wood screws for fixing appliance to studding
- 1 Deluxe remote control

#601SFB Standard Metal Front (alternative)

- 1 Upper louver unit
- 1 Lower louver unit
- 2 Side channels
- 2 Hinge studs
- 2 Hinge spacers
- 2 Magnet counter plates

#602CFB Cast Iron Front (alternative)

- 1 Top casting unit
- 1 Bottom casting unit

#551DVK Standard Horizontal Through-the-Wall Vent Kit (alternative to other kit)

- 1 Vent pipe & terminal unit
- 2 Wall plates
- 2 Wall shields (supplied flat)
- 12 Thread cutting screws
- 1 Styrofoam cutting support
- 8 Wood screws
- 8 Wall plugs

#755CFK Circulating Fan Kit (additional option)

Details are with the kit.

#603FSK Black or #604FSK Champagne Three-Sided Trims (additional option)

- 1 Top trim
- 2 Side trims
- 2 Trim fixing brackets
- 2 Corner connection plates
- 8 Grub screws for corner connections
- 10 Screws for side trims & engine attachment

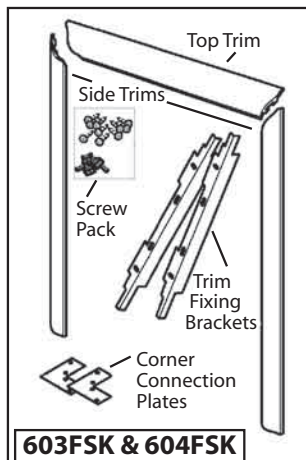
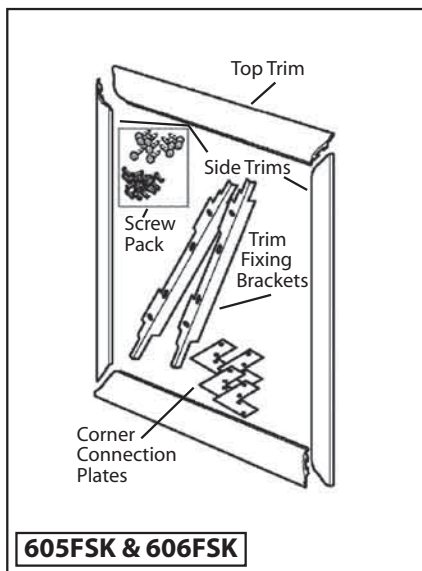
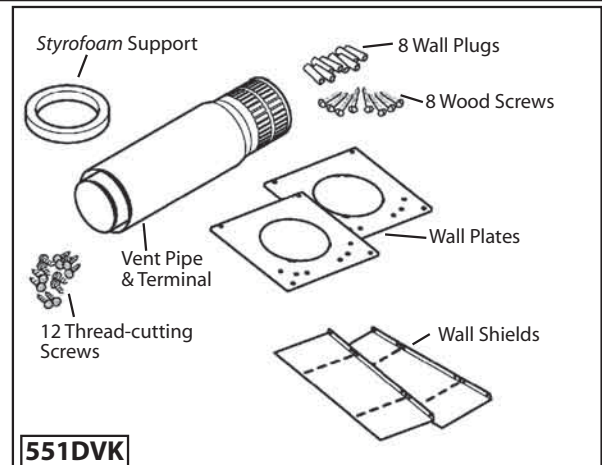
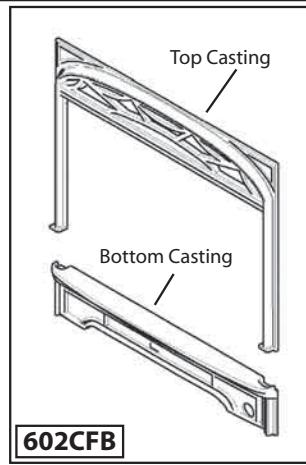
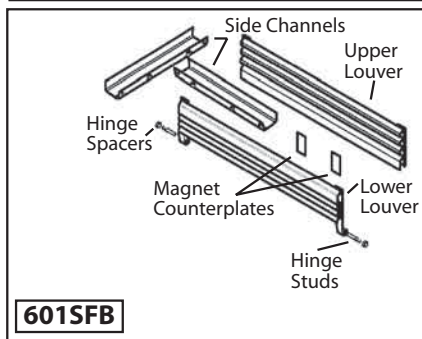
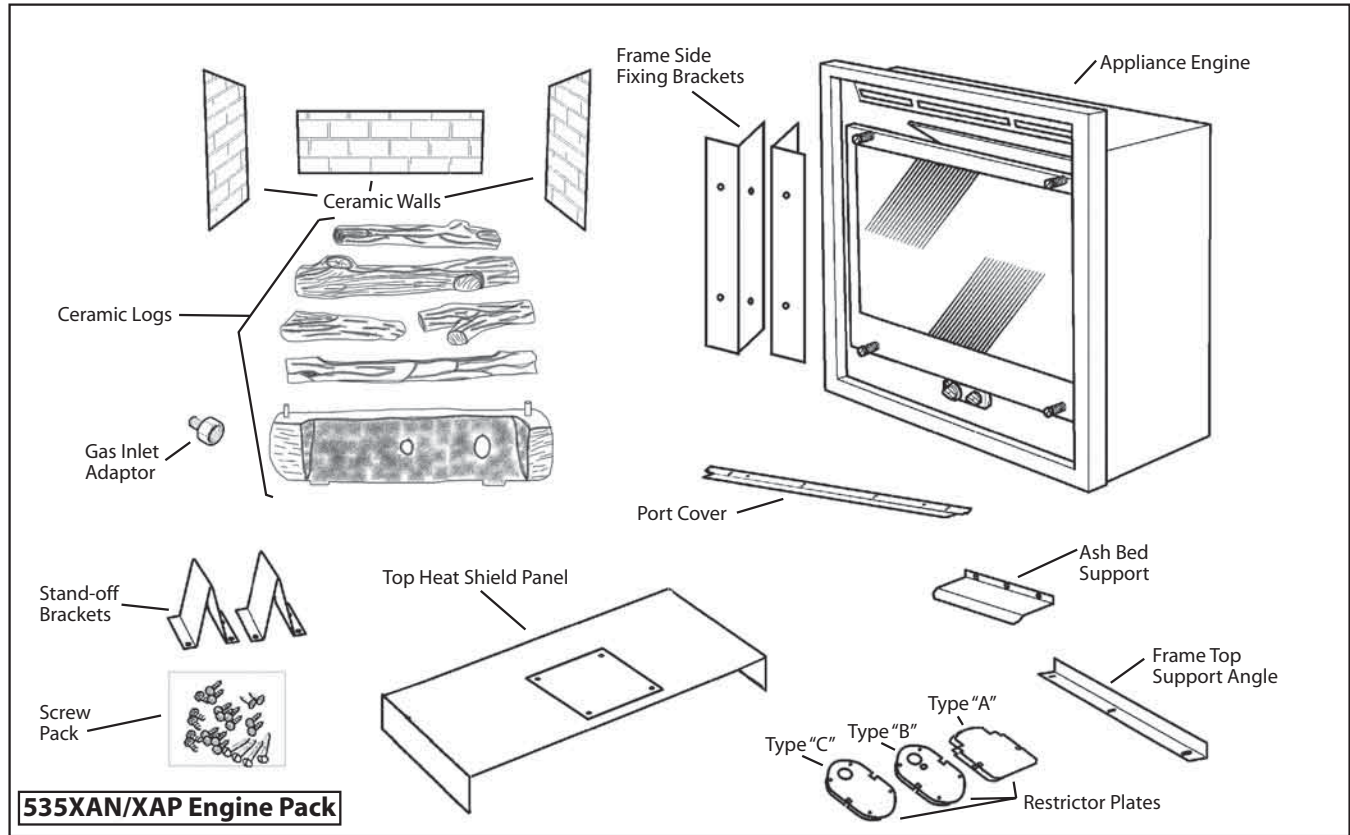
#605FSK Black or #606FSK Champagne Four-Sided Trims (additional option)

- 2 Top & bottom trims
- 2 Side trims
- 2 Trim fixing brackets
- 4 Corner connection plates
- 16 Grub screws for corner connections
- 10 Screws for side trims & engine attachment

Take care when removing the contents from the packaging to prevent damage. Check that all the contents are in the packs and are undamaged.

Pack Contents

Figure 19 Pack contents



Appliance Preparation

Window Removal

See figure 20.

1. Turn the top two spring-loaded window bolts through 90° to release the window from the firebox.
2. Remove the bottom two spring-loaded window bolts.
3. Detach the chain from the top right corner of the window.
4. Carefully lift the window away. Keep the window and bolts in a safe place.

Ignition Spark Check

See figure 21.

The pilot burner and electrode unit are at the left end of the burner.

Push-in the lighting knob and turn counterclockwise through the "IGN" position to "PILOT". A spark should flash across from the pilot electrode to the pilot shield.

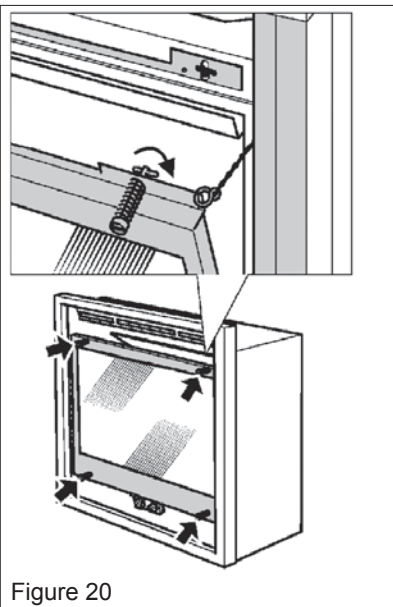
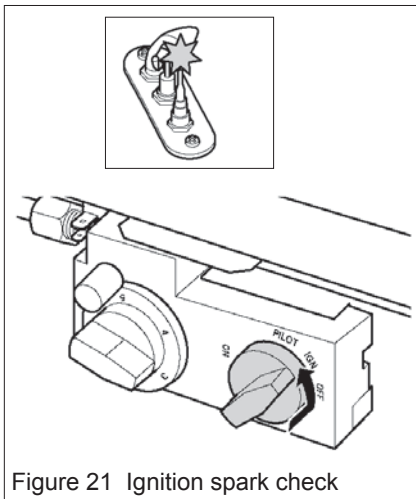


Figure 20

Rear Vent Outlet Positioning

If installing with top vent outlet, ignore this stage.

If installing co-linear venting, see section Co-Linear Conversion next page.

See figure 22.

1. Remove the rear outlet cover plate and seal by unscrewing 12 screws. Keep the seal and plate for fitting to the top.
2. Remove the top outer vent collar and seal by unscrewing 12 screws.
3. Remove the top inner vent collar and seal by unscrewing 8 screws.
4. Locate the inner collar and seal inside the rear outlet opening. Secure the inner collar with 8 screws.
5. Fit the outer collar over inner collar. Loosely fit the 12 screws. Place the adapter #817VAK or Valor terminal kit #551DVK over the collars to check alignment. Tighten the 12 screws to secure the outer collar.
6. Fit the cover plate and seal (removed from the rear) to the top vent opening with 12 screws.

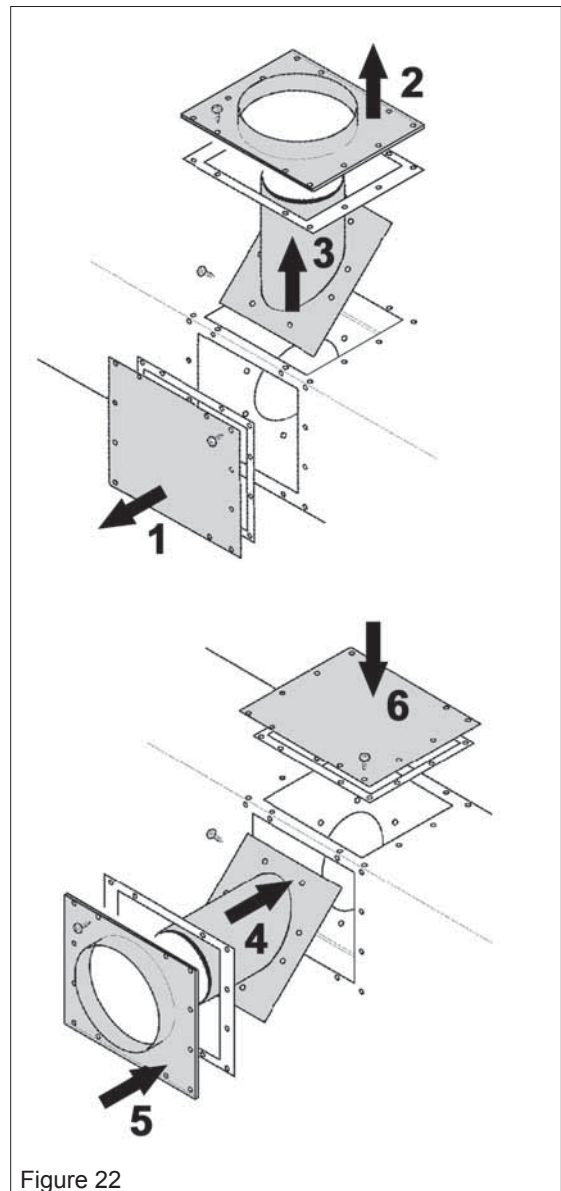


Figure 22

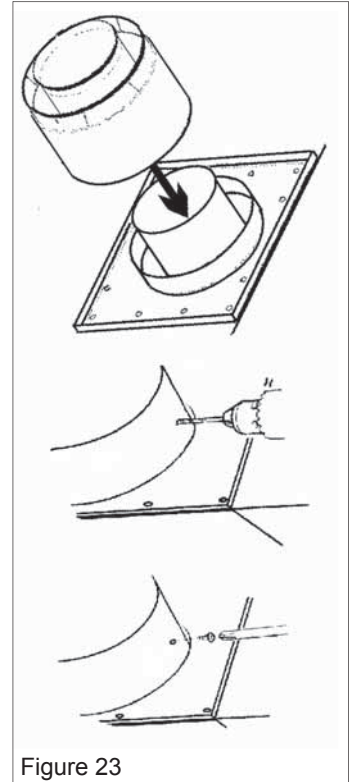
Appliance Preparation

#817VAK Pipe Adapter Fitting

If installing flat on wall with Valor terminal unit #551DVK, ignore this stage.

See figure 23.

1. Fit the adapter #817VAK over the appliance vent collars pushing on firmly.
2. For rear vent outlet connection, align the adapter so that the seam on horizontal pipes is not at the bottom—check by temporarily fitting a pipe.
3. Drill through the adapter outer tube and appliance outer collar for #6 screws. *Make sure that the drill does not penetrate the inner tubes.*
4. Secure the adapter to the outer collar with two #6 thread-cutting screws supplied.



Co-Linear Conversion

For installation into solid-fuel burning fireplaces and chimneys ONLY.

Generic Adapter Box

1. Fit the adapter #817VAK over the appliance vent collars pushing on firmly. See figure 23.
2. Fit and fully twist-lock the co-axial-to-co-linear adapter to the #817VAK adapter.
3. Keeping the connector and adapter fully twist-locked, rotate them so that the air inlet collar on the connector is at the bottom. See figure 23a.
4. Drill through the adapter outer tube and appliance outer collar for #6 screws. *Make sure the drill does not penetrate the inner tubes.*
5. Secure the adapter to the outer collar with two #6 thread cutting screws supplied. See figure 23.

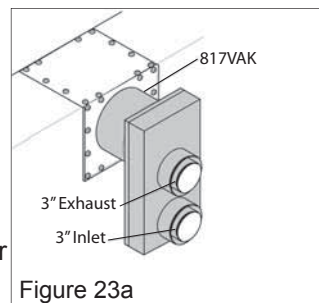


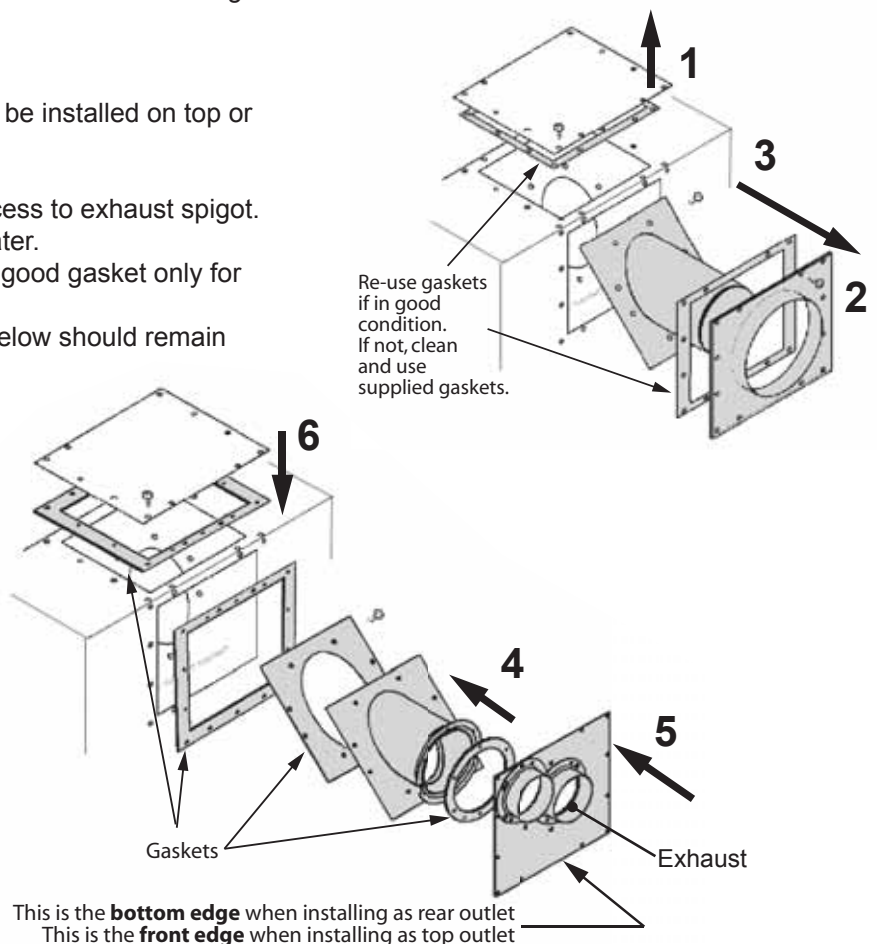
Figure 23

Valor #556CLA Co-Linear Adapter

(Note: Instructions may vary as #556CLA may be installed on top or back of heater depending on heater model.)

See Figure 23b.

1. Remove blank plate and gasket to gain access to exhaust spigot. Retain plate and good gaskets for re-use later.
2. Remove existing outer intake plate. Retain good gasket only for re-use.
3. Remove existing exhaust spigot—gasket below should remain on heater.
4. Install new co-linear exhaust spigot re-using existing screws. Ensure all screws are reinstalled tightly.
5. Install new co-linear outer plate (note: up/down front/back orientation on drawing) re-using existing good gaskets and screws. Use 6 additional screws supplied to seal outer plate to gasketed flange of exhaust spigot.
6. Refit the blank plate.



This is the **bottom edge** when installing as rear outlet
This is the **front edge** when installing as top outlet

Appliance Preparation

Top Heat Shield & Stand-offs Fitting

See figures 24 & 25.

1. If installing appliance with top vent outlet, remove the plate covering the vent hole in the top heat shield by unscrewing four screws. If installing with rear vent outlet, the plate must remain, covering the hole.
2. Remove the screws at the top rear corner of the case sides.
3. If top vent outlet, locate the heat shield over the vent pipe adapter.
4. Support the front of the shield on the two angle supports.
5. Secure the shield to the case sides by refitting the two screws at the top rear corners and by two screws from the pack fitted near the front.
6. Bend the two top rear stand-offs and fit to the heat shield with three screws each. See figure 25.

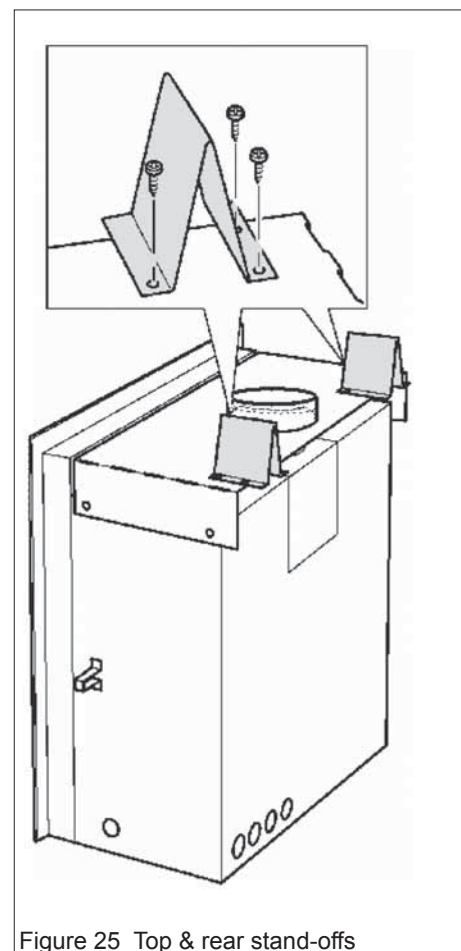
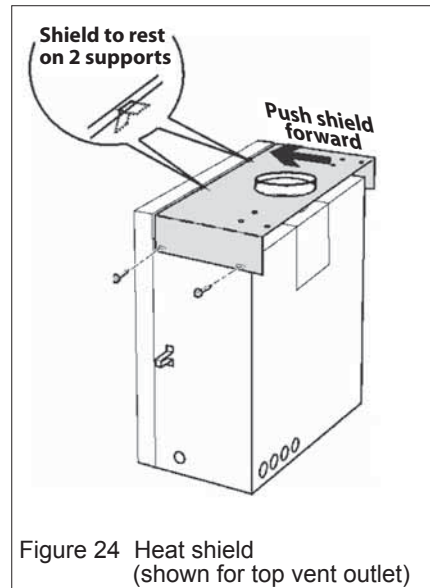
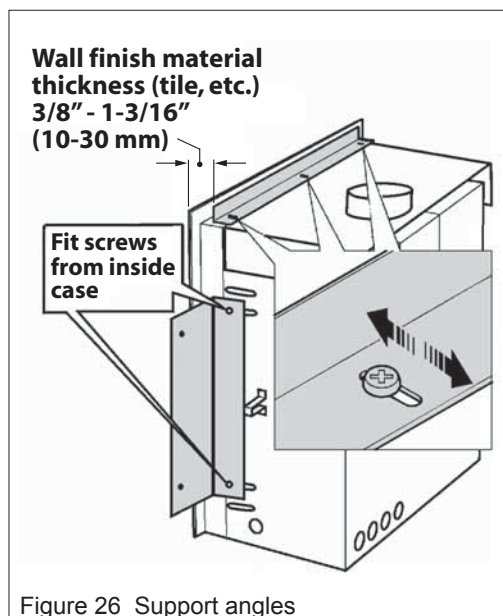
NOTE: Zero clearance stand-offs and shield supplied with the heater are **not required for the co-linear application.**

Support Angles Fitting

See figure 26.

The distance from the wall angles to the front face of the heater case is adjustable between 3/8" (10 mm) and 1-3/16" (30 mm) to allow for a range of wall finish material thickness (e.g. tile, etc.).

1. Fit the top angle support to the case top with three screws.
2. Fit the two side angle supports with two screws each. Fit the screws from inside the heater case.



Appliance Preparation

Attaching Air Restrictors

No restrictors are required for appliances which only have horizontal vent run. If installing an appliance which has a rear vent outlet connection and no vertical vent pipe rise, ignore this stage.

There are three types of restrictors supplied with each #534 engine unit. They are identified in figure 27.

- Type “A” is for horizontal vent termination.
- Types “B” & “C” are for through-the-roof termination.

The restrictors cover part of the openings in the firebox rear wall ports. See figure 28.

The correct restrictors to be fitted for each type of installation are shown in the table below.

- **To fit type “A” restrictors**, remove the center screws from the rear ports and fit the restrictors using these screws.
- **To fit types “B” or “C” restrictors**, remove the top and bottom screws from the rear ports and fit the restrictors using these screws.

To set the restrictors at **maximum port opening**, slacken the bottom screws in the ports, slide the restrictors down as far as possible and tighten the screws over the restrictors. To set the restrictors at **minimum port opening**, slide the restrictors up as far as possible and tighten the screws.

Vent terminal	Appliance vent outlet	Vertical vent pipe run	Use restrictor type	Port opening set at
Horizontal through wall with vertical rise	Top	Less than 3' (91 cm)	A	Maximum
		From 3' (91 cm) to 6' (183 cm)	A	Minimum
	Rear	Less than 3'6" (107 cm)	A	Maximum
		From 3'6" (107 cm) to 6' (183 cm)	A	Minimum
Vertical through roof	Top or rear	Less than 20' (6.1 m)	B	N/A
		From 20' (6.1 m) to 40' (12.2 m)	C	

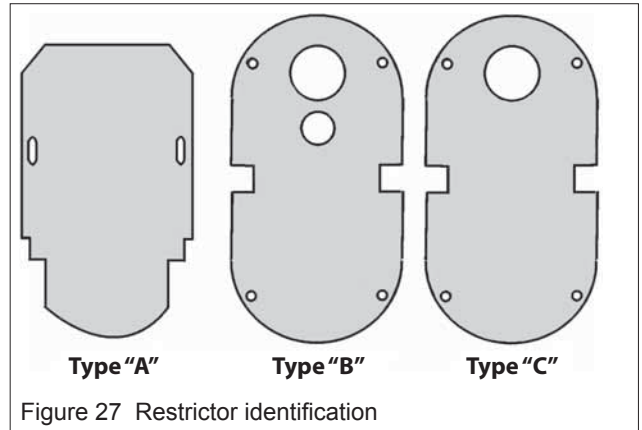
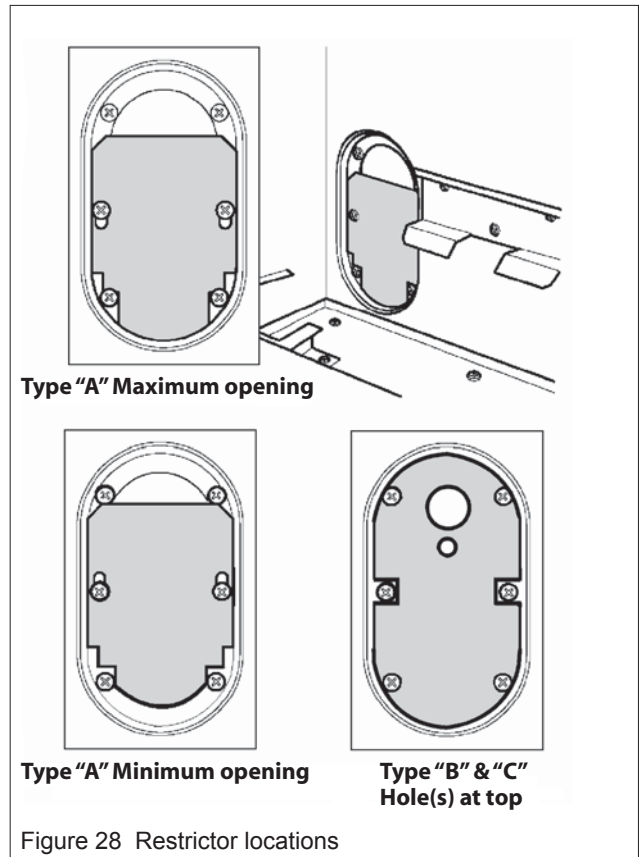


Figure 27 Restrictor identification



Type “A” Maximum opening

Type “A” Minimum opening

Type “B” & “C” Hole(s) at top

Figure 28 Restrictor locations

Appliance Preparation

Attaching Rear Ceramic Support

See figure 29.

Fit the rear ceramic support to the firebox back panel with three screws.

Attaching Appliance to the Framing

See figure 30.

1. Place the heater in position in the framing.
2. Secure the side support angles to the side studding through two holes each side with the woodscrews supplied. The top support angle should abut the wall finish but is not fixed to the framing.
3. Check the wall finish requirements with the homeowner. If necessary, adjust the position of the heater so that the distance from the front of the heater case to the angles is suitable for the thickness of the wall finish (e.g. tile, etc.).

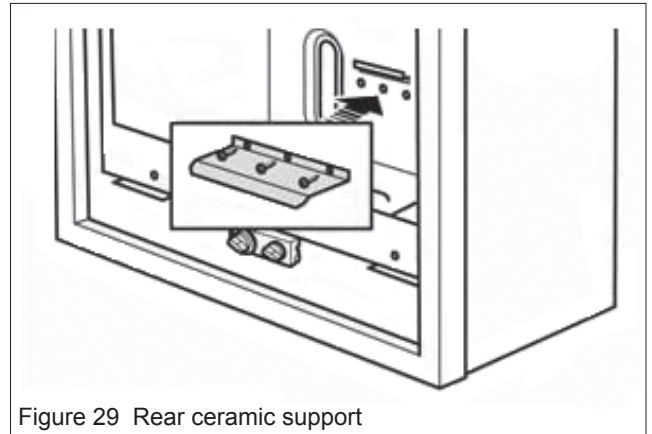


Figure 29 Rear ceramic support

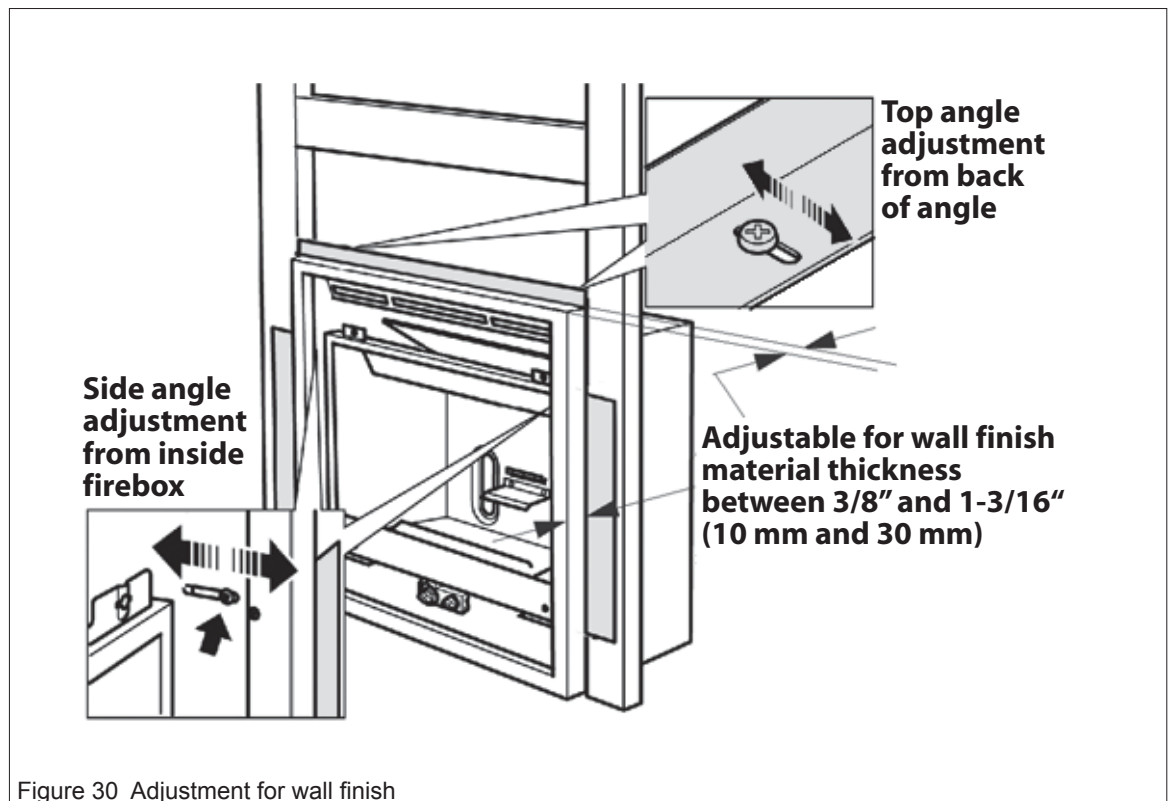


Figure 30 Adjustment for wall finish

Installations with Horizontal Termination—Installing to Wall

See *Location* section for full range of horizontal termination applications.

Flat on Wall Installation with Valor #551DVK Terminal

1. Cut the vent terminal pipe unit to size. See figure 31.
Important! The drain hole must be clearly outside the wall.
 - a) Measure the wall thickness.
 - b) Add distance from case rear to wall.
 - c) Measure this total length along the vent unit from where the termination cap joins the main terminal pipes. Mark the unit.
 - d) Insert the *Styrofoam* support ring and push it as close as possible to the marked position.
 - e) Cut the vent tubes squarely to length.
 - f) **Make sure that all *Styrofoam* is removed from the vent unit after cutting.**
2. Free the appliance from the frame studding by removing the four screws inside the firebox securing the side angles. See figure 30. Slide the appliance forward to allow the terminal to be fitted.
3. Fit the vent unit fully over the appliance inlet and outlet collars pushing on firmly. Make sure that the drain hole is at the bottom—the seam will be through the notch in the wall plates. See figure 34.
4. Drill through the terminal outer tube and appliance outer collar for #6 screws. See figure 31. **Make sure that the drill does not penetrate the inner tubes.**
5. Secure the terminal to the outer collar with two #6 thread-cutting screws supplied. See figure 31.

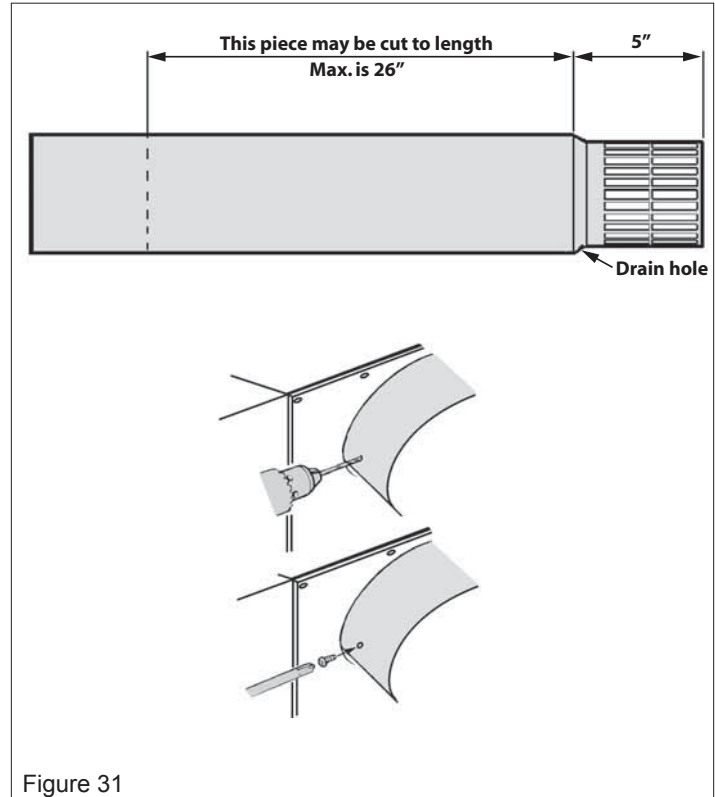


Figure 31

Important Installer Notice – Weather Sealing & Vapor Barriers

It is the installer's responsibility to ensure that vent installations through exterior walls are caulked and weatherproofed in such a manner as to:

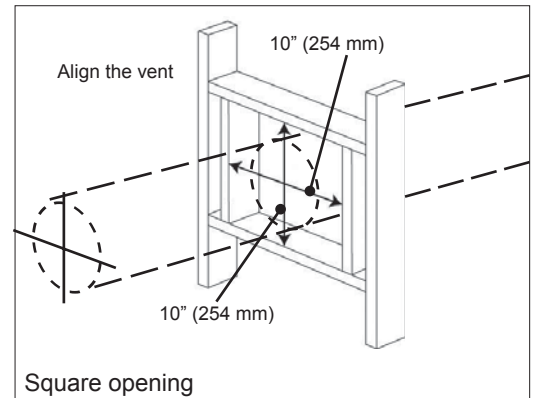
- Prevent rain water from entering the wall from the weather side by adequately caulking the outer vent plate to the exterior wall surface.
- Prevent moisture inside the home from penetrating into the wall structure by ensuring the inside wall plate is adequately sealed to the inside vapor barrier.
- Prevent rain water and moisture from entering the walls by sealing the joints between the outer vent tube and the inner and outer wall plates.

We recommend the use of a high quality polyurethane sealant.

Installations with Horizontal Termination—Installing to Wall

Wall Opening

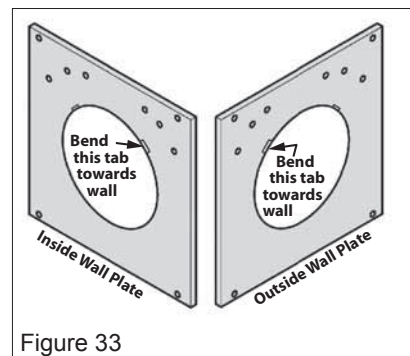
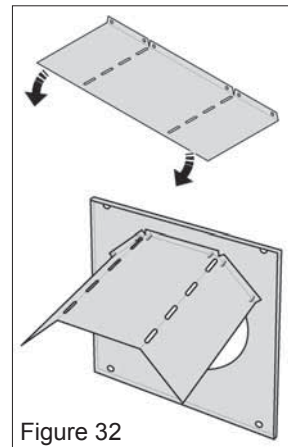
- Where applicable, fit all the required pipes and elbows up to the wall. See the manufacturer's instructions supplied with the venting sections.
- Check the wall opening position.
- Make wall opening.
If the wall is constructed of solid non-combustible materials and has no combustible surface cladding (including wood) inside or outside, the wall plates or thimbles will not be required.
If the wall has combustible material, mark the wall for a 10" x 10" square. If the wall is totally non-combustible (e.g. masonry block or concrete), mark for a 7" circular hole. In both cases, the center of the hole should line up with the center line of the horizontal vent.



Valor Terminal #551DVK—Preparing Wall Plates

The wall plates are not used for 7" hole in non-combustible walls.

1. Bend the wall shields and screw to the inside of the wall plates with 6 thread-cutting screws per plate. See figure 32.
2. Bend the inner wall plate tab as shown in figure 33 so that the seam on the terminal tube will pass clearly through the plate with the wall shield at the top. Place the inner wall plate over the terminal unit.
3. Slide the appliance/terminal into the wall. Make sure that the drain hole is at the bottom—the seam will be through the notch in the wall plates. See figure 34.
4. Slide the inner wall plate up to the wall. Mark the four holes for the wall screws. Slide the plate away.
5. Drill and plug the wall.
6. Screw the plate to the wall with four screws provided.
7. Bend the outer wall plate tab as shown in figure 34.
8. Place the outer wall plate over the terminal unit. Slide the wall plate up to the wall. Mark the four holes for the wall screws. Slide the plate away.
9. Drill and plug the wall.
10. Screw the plate to the wall with four screws provided. See figure 34.
11. If the appliance was freed from the frame studding, refit with the four screws inside the firebox securing the side angles. Position the appliance so that it is suitable for the wall finish. See figure 30.



Terminals—Installing to Wall

Unless the wall is totally non-combustible, fit wall thimbles. Install as detailed in the manufacturer's instructions supplied with the pipes.

Sidewall vent terminations within 7' of grade require a terminal guard when used with a 551DVK.

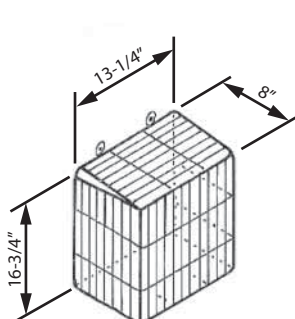


Figure 33a Terminal Guard

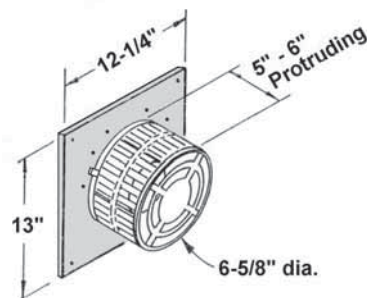


Figure 33b Terminal

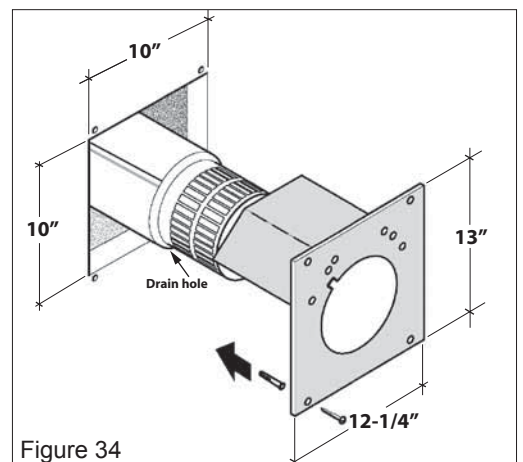


Figure 34

Installations with Vertical Termination—Through the Roof

All Co-Axial Vent Installations

- Check the roof pitch to determine which roof flashing will be needed. See venting accessories list on pages 39–40 for allowable components.
- The distance from the roof to the lowest terminal discharge opening (“H” in figure 35) depends on the roof pitch and must be in accordance with the manufacturer’s instructions supplied with the termination unit. *Note: The venting system for these appliances is considered to be a **Special Venting System**. The rule in the Installation Code requiring a minimum vent height of 2’ above any portion of a building within 10’ does not therefore apply.*
- The minimum clearances to combustible materials all round the vent pipes must be in accordance with the dimensions shown in the Location section of this manual.
- Drop a plumb from the ceiling to the center of the appliance vent opening. Mark the position on the ceiling. Drill a small hole at the marked position.
- Determine the position where the vent will pass through the roof. If directly above the position where it penetrates the ceiling, drop a plumb from the roof to the small hole in the ceiling and mark the roof at this spot. If rafters or other obstructions will prevent a vertical exit or if clear attic space is desired, the roof outlet can be offset using 45° elbows. See figure 35.
- Drill a small hole at the marked position.
- A ceiling firestop must be installed at the second floor and higher floors. A ceiling support should be used below the flat ceiling. To install the firestop and support, cut and frame a 10” (254 mm) square hole centered on the small hole previously drilled. See figure 36.
- Fit vent accessory elbows and pipe lengths as required up through ceiling support boxes and firestops. If installation includes offset, support the offsetting pipes every 3’ (1 m) with wall straps. See figure 35.
- Cut a hole in the roof centered on the small hole.
- The hole must allow for the minimum clearances to combustible materials. See *Location* section in this manual.
- Fit pipe lengths through the roof. Fit roof flashing securing it with roofing nails.
- Fit storm collar and termination cap.

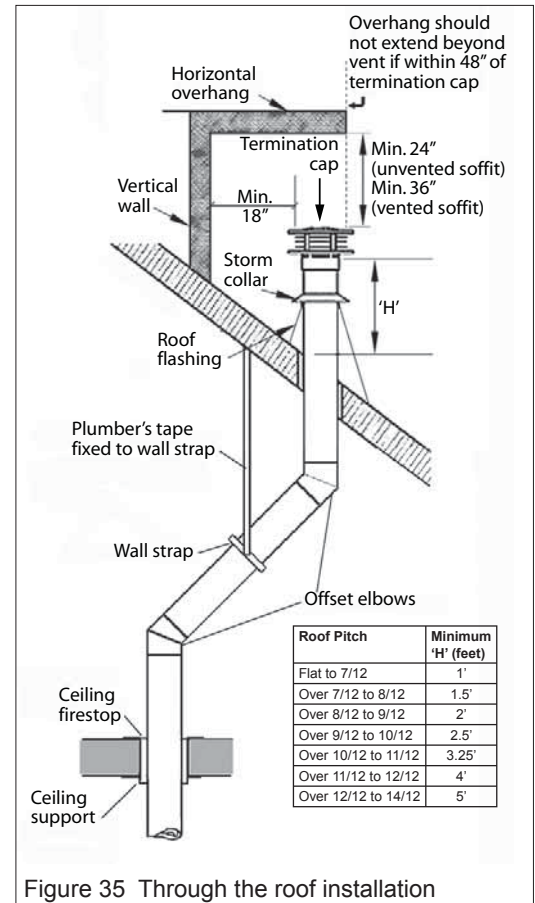


Figure 35 Through the roof installation

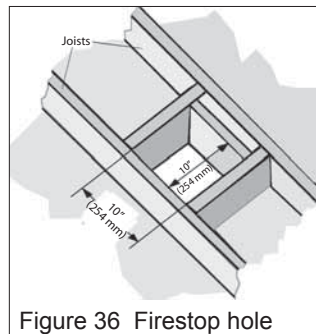
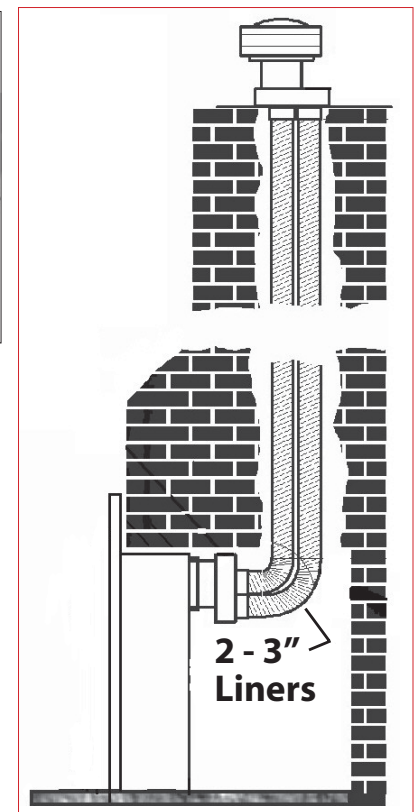


Figure 36 Firestop hole

Co-Linear Vent Installations

- The chimney and fireplace opening sizes are shown in *Dimensions* and *Location* sections of this manual.
- Place the appliance (fitted with the co-linear adapter) near the fireplace opening but allow space for manipulating the chimney liners on to the appliance.
- Drop the 3” dia. flexible liners into the chimney from outside.
- Fit the liners to the co-linear adapter paying attention to inlet and exhaust and move the appliance to its proper position. Be aware of the minimum liver bend radius and maximum liner horizontal run shown on page 17 of this manual.
- Fit the termination kit and flashing to the exterior of the chimney.
- Secure the appliance to the floor or wall if necessary.



Remote Control Installation

Caution! Don't connect the batteries to the remote control receiver until the wires are connected to the burner control unit, as short circuit could result in destruction of the electrical components.

When installing the remote control, please refer to figures 37 and 38 below.

- Connect the wiring harness to the receiver box by pushing the wire connector on to the receiver circuit board. The plug will only go on one way so please ensure that the wires are pointing up and slot in the board is in line with the tab on the wiring harness plug.
- Connect wires "A" (with the "L" terminals) to the connectors "B" on the control valve as shown below. Please note that the "L" connectors are different sizes; the smaller one fits to the lower connection on the valve.
- Connect the wires "C" to the connectors "D" on the control valve. (Either wire can be fitted to either connector).
- Remove the remote control receiver lid.
- Fit four 1.5V batteries.
- Place the remote control receiver on the *Velcro* pad.
- Fit the 9V battery to the handset transmitter.

Remote control operating instructions are on pages 36–37 of this manual and are supplied with the remote control kit.

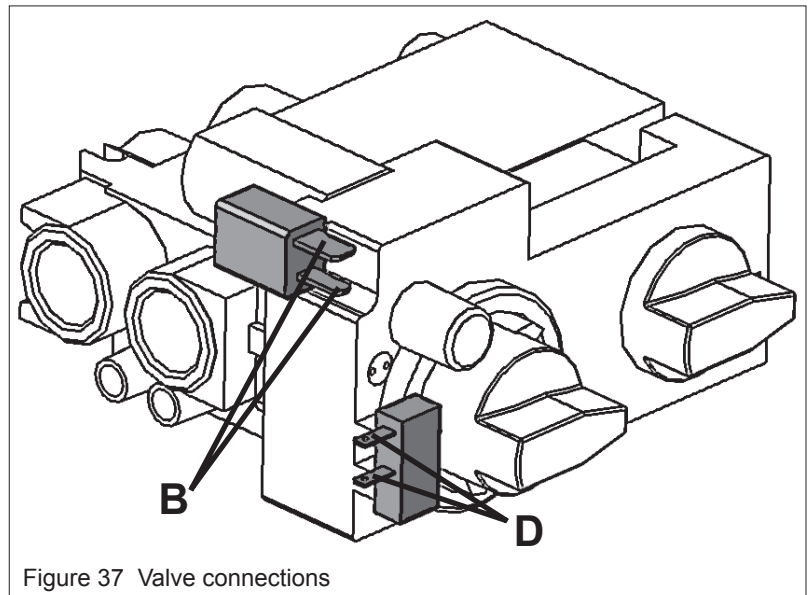


Figure 37 Valve connections

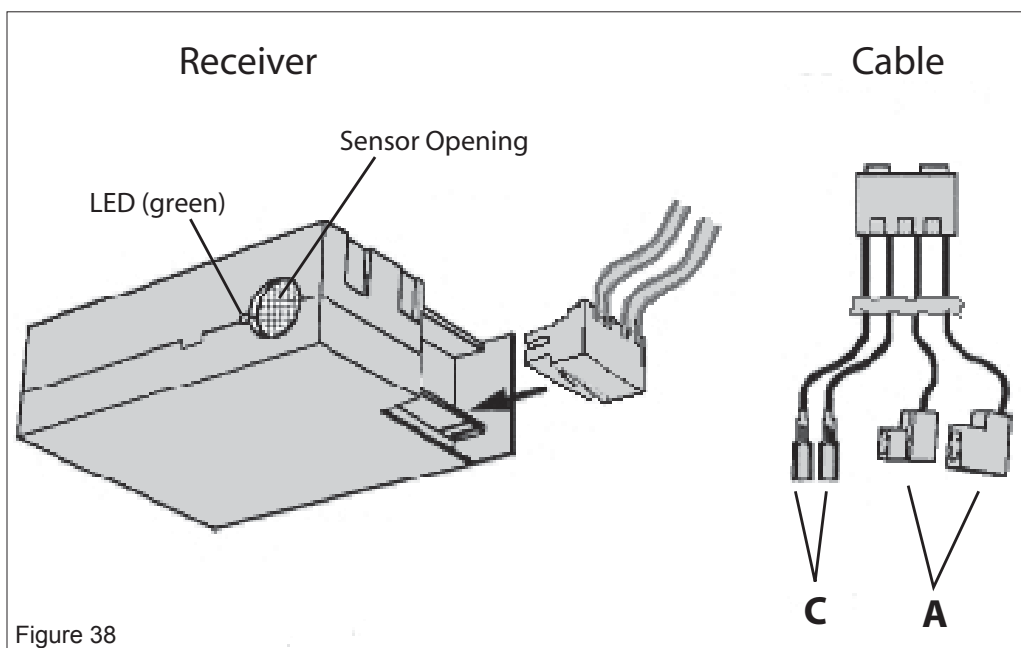


Figure 38

Gas Supply Installation

- The gas supply pipe should enter the appliance case through the opening at the rear left side. The supply pipe should be connected to the appliance gas inlet pipe situated at the left side of the control valve. Supply line connection to the inlet pipe is 3/8" NPT (female).
If the circulating fan is to be installed, be aware that the supply pipe run inside the case should be at the same height as the appliance inlet pipe in order to clear the fan. If intending to fit an internal isolating valve, check that it will be clear of the fan.
- Use only new black iron or steel pipes or copper tubing if acceptable—check local codes. **Note that in USA, copper tubing must be internally tinned for protection against sulfur compounds.**
- Unions in gas lines should be of ground joint type.
- The gas supply line must be sized and installed to provide a supply of gas sufficient to meet the maximum demand of the appliance without undue loss of pressure.
- Sealant used must be resistant to the action of all gas constituents including LP gas. Sealant should be applied lightly to male threads to ensure excess sealant does not enter gas lines.
- The supply line should include a *manual shut-off valve* to allow the appliance to be disconnected for servicing.
- A plugged 1/8" NPT tapping must be installed in the line. The tapping must be accessible for test gauge connection and be immediately upstream of the gas supply connection to the appliance.
- Pressure test the supply line for leaks.
 - » The appliance and its individual shut-off valve must be disconnected from the gas supply piping system during any pressure testing of that system at test pressures in excess of 1/2 psig (3.5kPa).
 - » The appliance must be isolated from the gas supply piping system by closing its individual manual shut-off valve during any pressure testing of the gas supply piping system at test pressures equal to or less than 1/2 psig (3.5kPa).
 - » Failure to either disconnect or isolate the appliance during pressure testing may result in regulator or valve damage. Consult your dealer in this case.
- The minimum supply pressure is given in the *Specifications* section of this manual.
- All piping and connections must be tested for leaks after installation or servicing. All leaks must be corrected immediately.
- When testing for leaks:
 - » Make sure that the appliance is turned off.
 - » Open the manual shut-off valve.
 - » Test for leaks by applying a liquid detergent or soap solution to all joints. Bubbles forming indicate a gas leak. **Never use an open flame to check for leaks.**
 - » Correct any leak detected immediately.
- The pressure test tapping locations are shown in figure 39. A built-in non-adjustable regulator controls the burner manifold pressure. The correct pressure range is shown in the table in *Specifications* section of this manual. The pressure check should be made with the burner alight and at its highest setting. See *Lighting Instructions* section for full operating details.

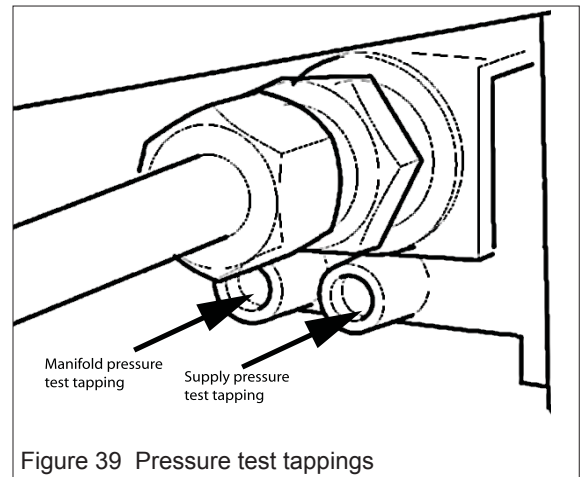


Figure 39 Pressure test tappings

Aeration Setting Check

The air shutter is factory set at an aeration gap that will give optimum performance for the vast majority of installations. However, in a few unusual installations, performance may be improved by adjusting the aeration. The need for adjustment should be determined by operating the appliance with the ceramic fuel effects and window installed. See the *Final Checks* section in this manual for adjustment details.

Adjust the aeration by slackening the aeration plate screw and sliding the plate. In an extreme circumstance, the plate can be totally removed. See figure 40.

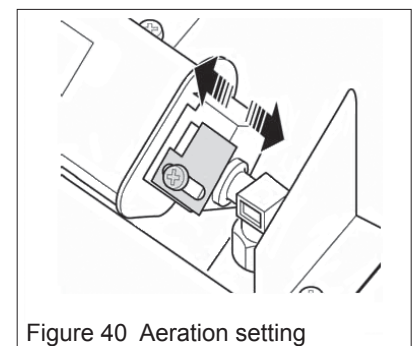


Figure 40 Aeration setting

Ceramic Fuel Bed Installation

Ceramic Walls Installation

1. Locate the ceramic rear wall in the channel at back of the firebox and flat against the back of the firebox. See figure 41.
2. Locate the sidewalls against the sides of the firebox. Make sure that they are behind the raised edges of the burner module base at the back corners. See figure 42.
3. Remove two screws from under the top front of the firebox. Using these screws fit the port cover. See figure 43.

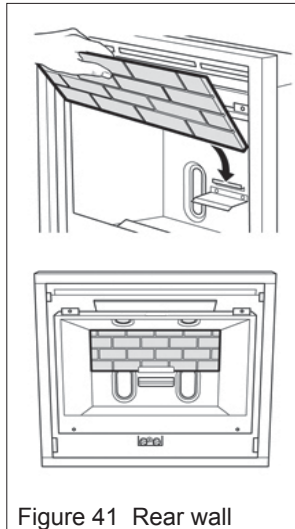


Figure 41 Rear wall

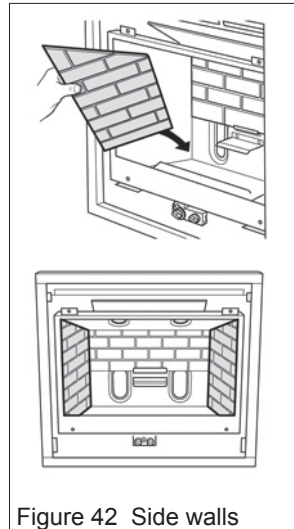


Figure 42 Side walls

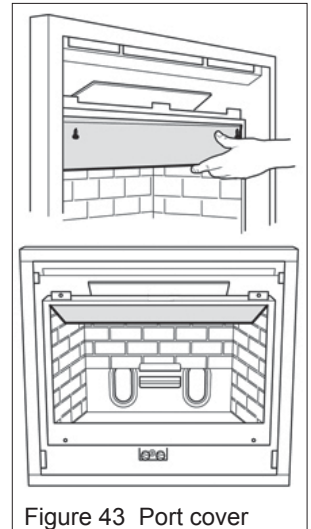


Figure 43 Port cover

Ceramic Logs Installation

1. Place the ash bed in position. The projections at the front of the ash bed locate against the sloping metal stops immediately behind the burner. See figure 44.
2. Place the rear log in position locating the two pins in the top of the wedge into the holes in the rear log. See figure 45.
3. Place the front log at the front of the firebox. See figure 46.
4. Place the right side center log in position locating it on the two locating pins on the left hand side of the ash bed with its "nose" resting at the center of the ash bed. See figure 47.
5. Place the right side center log in position locating it on the two pins on the right hand side of the ash bed with its "nose" resting at the center of the ash bed. See figure 48.
6. Place the "branch end" of the cross log on the pin located on the center of the rear log and the other end in the locating pocket on the left side of the front log. See figure 49.

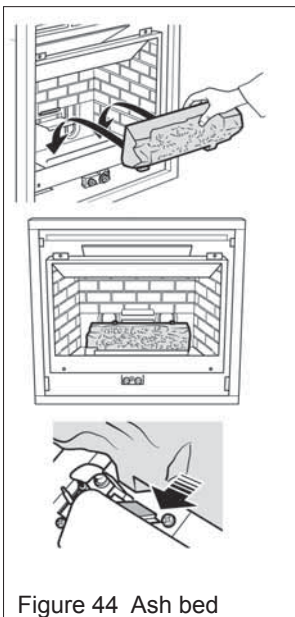


Figure 44 Ash bed

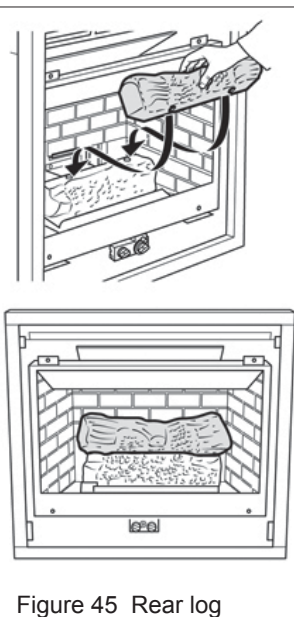


Figure 45 Rear log

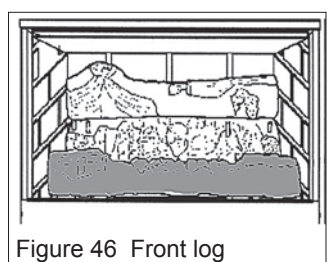


Figure 46 Front log

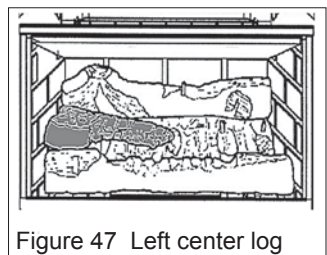


Figure 47 Left center log

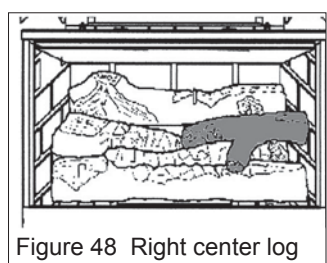


Figure 48 Right center log

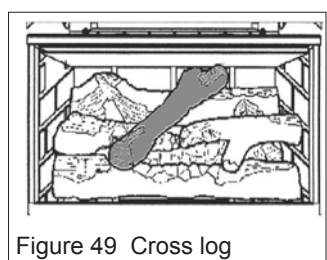
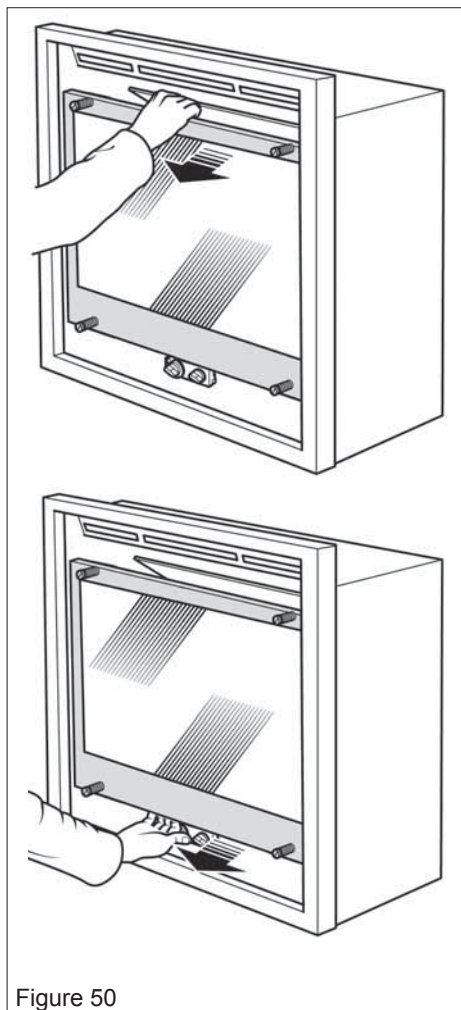


Figure 49 Cross log

Window Refitting & Checking

1. Refit the window with the bottom two bolts. The bolts should be screwed in securely.
2. Refit the chain to the top right corner of the window.
3. Refit the top two bolts securing by turning them through 90°.
4. Pull the top of the window forward and release to check that it opens slightly and returns confirming the good function of the spring-loaded mechanism. See figure 50.
5. Similarly check the bottom of the window by pulling it forward and releasing. See figure 50.



Operation Checks

Check ignition, pilot stability, burner flames, and the full range of the thermostat using the rotary switch inside the appliance and the remote control hand unit. See *Lighting Instructions* further on in this manual for full details.

Aeration adjustment

As described on page 30, burner aeration is adjustable. For the vast majority of installations, no adjustment will be necessary. However, in a very few instances, performance may be improved by adjusting the aeration by sliding the shutter. See figure 40 on page 30. Evaluate the aeration only after the unit has warmed up—approximately 15 minutes.

Increasing aeration will cause the flame to appear more transparent and blue making the ceramic fuel effects glow more. Decreasing aeration will cause the flames to appear more yellow or orange making the fuel effects glow less.

Too little aeration may result in black carbon forming and dropping into the firebox.

Front Installation

#601SFB Standard Metal Front

1. Fit the lower louver unit using the hinge studs and hinge spacers as shown in figure 51.
2. Fix the two adhesive backed magnet counter plates to the tabs at the firebox sides, which line up with the magnets on the lower louver. See figure 51.
3. Fit the two side channels by hooking into the openings at the sides of the firebox. See figure 52.
4. Attach the upper louver by hooking over the tabs near the top of the firebox sides. See figure 53.

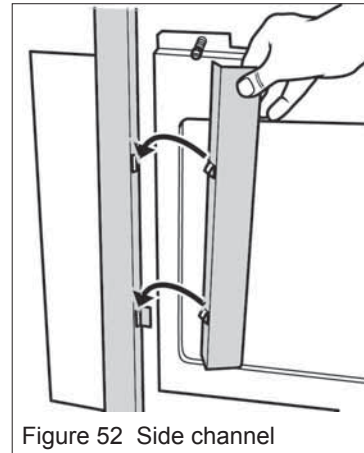
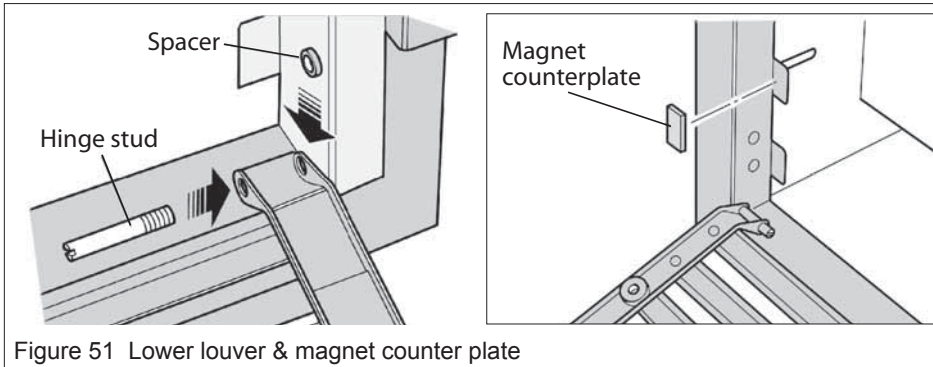


Figure 52 Side channel

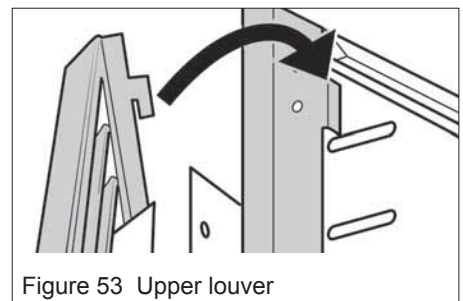


Figure 53 Upper louver

#602CFB Cast Iron Front

1. Attach the bottom casting unit by hooking it over the lower tabs at the firebox sides. See figure 54.
2. Attach the top casting unit by hooking it over the four tabs at the firebox sides. See figure 55.

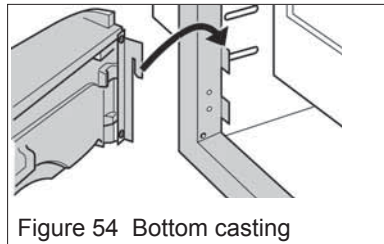


Figure 54 Bottom casting

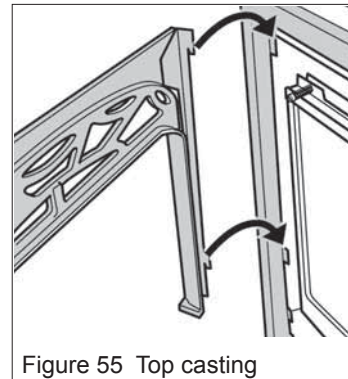


Figure 55 Top casting

Additional Optional 3 or 4-Sided Trims

1. Slide a corner connection plate into the channels in the top trim and a side trim. Butt the two trims together. Fit four grub screws and tighten to secure the trims and corner plate. See figure 56.
2. Repeat for the other corner(s).
3. Attach the two trim fixing brackets to the side trims with three screws each side. The brackets must butt up to the edges of the corner connection plates. See figure 57.
4. Attach the complete trim unit to the firebox with four screws. See figure 58.

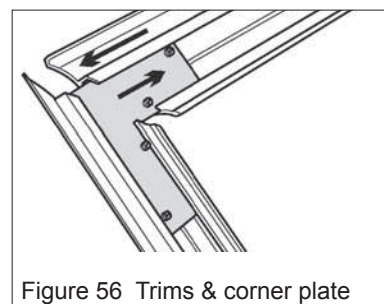


Figure 56 Trims & corner plate

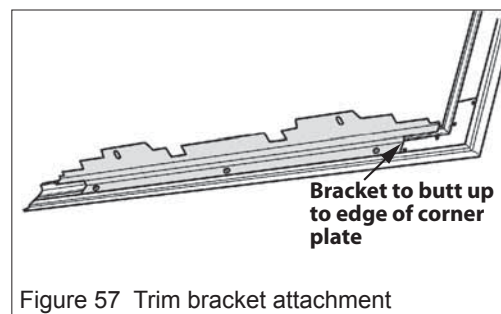


Figure 57 Trim bracket attachment

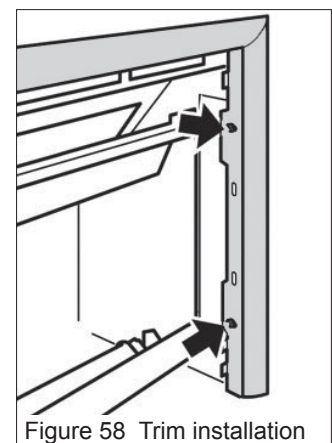


Figure 58 Trim installation

Owner's Information

Operating Your Fireplace

For your safety, this appliance is fitted with a flame supervision device which will shut-off the gas supply if, for any reason, the pilot flame goes out. This device incorporates a fixed probe, which senses the heat from the pilot flame. If the probe is cool, the device will prevent any gas flow unless the burner control knob is kept pushed in at the PILOT position. See lighting instructions on page 41 of this manual.

Cleaning

It will be necessary to clean the glass periodically. During startup, condensation, which is normal, forms on the inside of the glass and causes dust and lint to cling to the glass surface. Initially, paint, while curing, may deposit a slight film on the glass. We therefore recommend that, during the first few weeks of use, the glass be cleaned two or three times with non-abrasive common household cleaners (such as dish soap) and warm water. **Ammonia based cleaners should NOT be used.** Subsequently, the glass should be cleaned two or three times a season depending on the circumstances. **Do not clean the glass while it is hot. Always securely replace the window before lighting.**

If broken, the glass pane may only be replaced as a complete window unit as supplied by the manufacturer.

To Clean the Inside of the Glass

Louver Front:

- Lift and unhook the top louver. See figure 59.
- Lift and unhook the two side channels. See figure 60.
- Open the bottom louver—it does not need to be removed.

Cast Iron Front:

- Lift up and unhook the upper casting. The bottom casting does not need to be removed. See figure 61.

Push in the two spring-loaded bolts at the top of the window and make a quarter turn so that the slots in the bolt heads are horizontal. This will release the top of the window. Swing the top of the window open as far as the chain will allow. The window should be open enough to let you clean the inside of the glass. See figure 62.

To reinstall the window, proceed in the reverse order. Then, pull the top of the window forward and release to check that it opens slightly and returns confirming the good function of the spring-loaded mechanism. Similarly check the bottom of the window.

Always securely fasten the window before lighting.

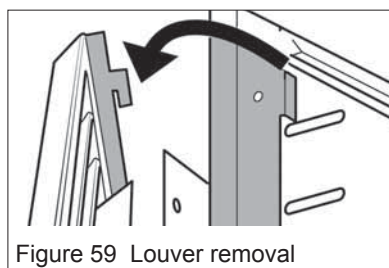


Figure 59 Louver removal

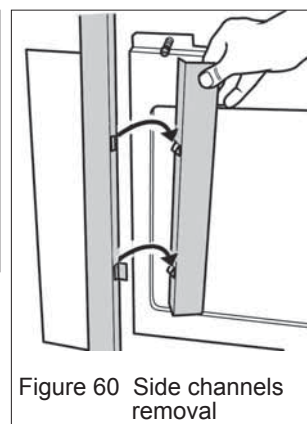


Figure 60 Side channels removal

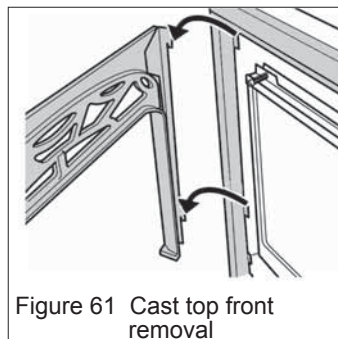


Figure 61 Cast top front removal

To Clean the Ceramic Fuel Effects, Firebox Walls & Burner

Dust can be brushed from the ceramic logs and firebox walls after removing the front unit and opening the window. Dust can also be removed from the burner using a soft brush after removing the ceramic logs. When cleaning, make sure that no particles are brushed into the slots of the burner.

Louver Front:

- Lift and unhook the top louver.
- Open the bottom louver—it does not need to be removed. See figure 59.

Cast Iron Front:

- Lift up and unhook the upper casting.
- Lift up and unhook the bottom casting. See figure 61.

Owner's Information

Push in the two spring-loaded bolts at the top of the window and make a quarter turn so that the slots in the bolt heads are horizontal. This will release the top of the window. Remove the bottom two spring-loaded window bolts. Detach the chain from the top right corner of the window. See figure 62. Carefully lift the window away. Keep the window and bolts in a safe place.

Always completely remove the window before removing the ceramic fuel effects.

When cleaning, make sure that no particles are brushed into the slots in the burner.

To reinstall the window, proceed in the reverse order. Then, pull the top of the window forward and release to check that it opens slightly and returns confirming the good function of the spring-loaded mechanism. Similarly check the bottom of the window.

Always securely replace and fasten the window before lighting.

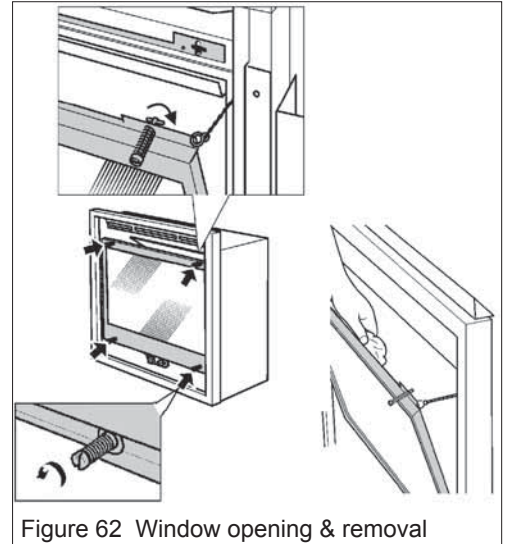


Figure 62 Window opening & removal

Checks

- A periodic check of the pilot and burner flames should be made. Check after the fire has been on for at least 30 minutes. The pilot flame must cover the tip of the thermocouple probe. The main burner flame pattern will vary from appliance to appliance depending on the type of installation and climatic conditions. See figures 63 and 64.
- The appliance area must always be kept clear and free from combustible materials, gasoline and other flammable vapors and liquids.
- Inspect the vent terminal outdoors regularly to make sure that dirt, snow, insects, leaves, trees, etc. do not obstruct it.
- Examine the whole vent system regularly. We recommend annually.

Batteries

All appliances use four 1.5V AA batteries for remote control receiver and the handset uses a 9V battery.

Receiver batteries are accessible by opening the bottom access panel and removing the lid of the remote control receiver.

Batteries should last one to two seasons, depending on usage. Removing batteries in the off season will extend battery life.

Servicing

If you require any attention to your appliance, contact your supplier quoting the model number. It will be helpful if the appliance serial number can also be quoted. This is on the rating plate, which is on a chained plate accessible by opening the bottom access panel.

The repair parts are shown in the separate repair parts leaflet. Please always quote part number and description when requesting spare parts.

Performance of LPG appliances may be affected by the quality of commercial gas supplied in your area.

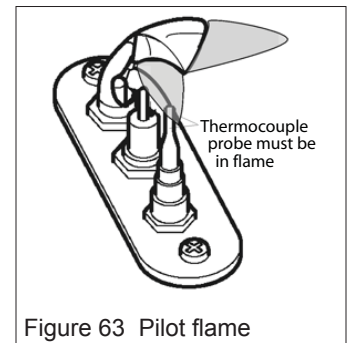


Figure 63 Pilot flame

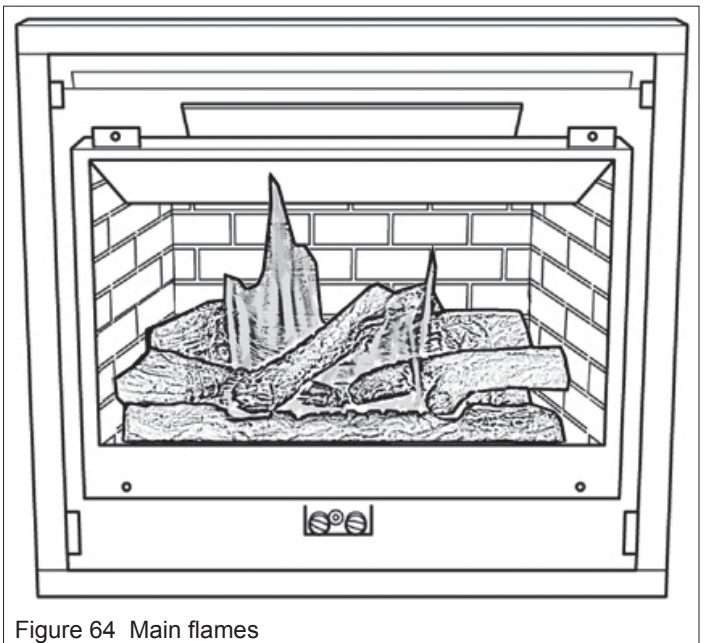
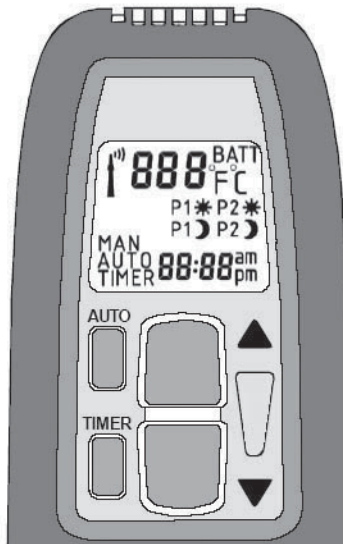


Figure 64 Main flames

Owner's Information

Your fireplace remote control helps you get the comfort, convenience and aesthetics you want from your gas fireplace. The remote controls your fireplace in different ways.

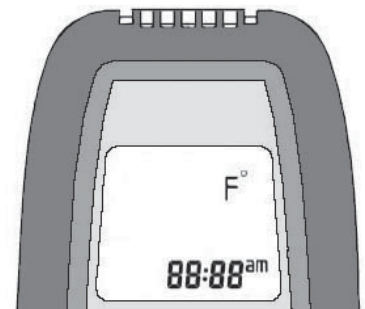
IMPORTANT: *BEFORE YOU BEGIN, please note that on this system, the settings of time, temperature and automatic ON/OFF can only be programmed when the function display is flashing. Be patient when programming as it can take a few seconds to set.*



Setting the time

The first thing to do is to set the time.

1. With your thumb, hold down **both** the **AUTO** and **TIMER** buttons until **F** flashes. Let go.
2. Note the digital clock on the bottom right hand corner. The **▲** button sets the hour; the **▼** button sets the minutes. Set the time.
Note: You must start setting the time while the **F** is flashing. If it stops flashing, go back to 1.
3. The display shows °C/24-hour or °F/12-hour. To change the temperature/hour display, press on the **AUTO** button while the display flashes.
4. Let go and wait until the flashing stops. The remote shows the time you set. It also shows the current temperature.

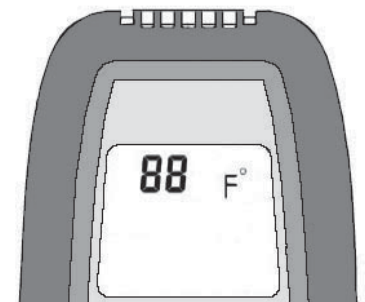


Setting the temperature

Use this setting when you come in and want to enjoy a specific temperature.

1. Push the **AUTO** button until a number and **F** flash. Let go.
2. While it is still flashing, push the **▲** and **▼** buttons to the temperature you want. Let go.

Your fireplace will reach that temperature and the remote will check the temperature every five minutes, adjusting the amount of fuel needed to give you a steady, even heat.



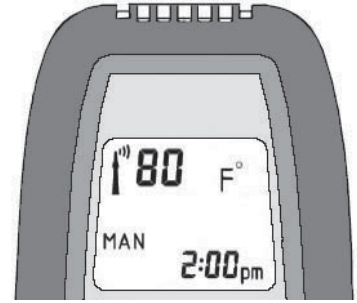
Owner's Information

Setting the flame

Use this setting when you want a particular flame level. For instance, you want to watch flames burn at their highest level and you don't mind if the room is too hot.

1. To raise the flame, press and hold the ▲ button until the flame gets to the desired level. Let go.
2. To lower the flame, press and hold the ▼ button until the flame gets to the desired level. Let go.

The **flame level** will remain just as you set it.



Programming time and temperature

You can set your fireplace to come on before you wake up and turn off after you leave and then, turn on again just before you come home and turn off after going to bed.

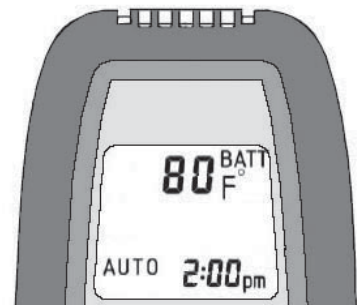
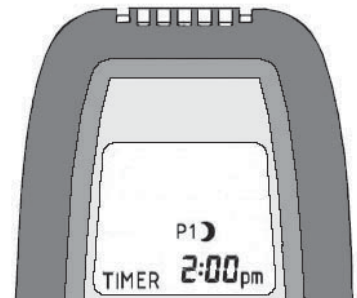
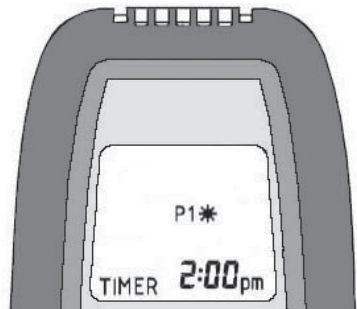
You can leave it like this for the heating season.

1. Decide what temperature you want your fireplace to be at. Also, decide what time you want your fireplace to turn on and off. Finally, decide what time you want it to come back on and off in the afternoon or evening. For the first few times you set the timer, it's handy to write these times down.
2. Set the temperature (just as you did in the section *Setting the temperature*.)
3. Press the **TIMER** button and hold it until **P1** ☀ appears and flashes. Let go. While flashing, push the buttons ▲ (hour) and ▼ (minutes) to set the time at which you want your fireplace to turn on in the morning.
4. Press the **TIMER** button and hold it until **P1** ☾ appears and flashes. Let go. While flashing, push the buttons ▲ (hour) and ▼ (minutes) to set the time at which you want your fireplace to turn off when you leave.
5. Press the **TIMER** button and hold it until **P2** ☀ appears and flashes. Let go. While flashing, push the buttons ▲ (hour) and ▼ (minutes) to set the time at which you want your fireplace will turn back on in the afternoon.
6. Press the **TIMER** button and hold it until **P2** ☾ appears and flashes. Let go. While flashing, push the buttons ▲ (hour) and ▼ (minutes) to set the time at which you want your fireplace to turn off in the evening.
7. That is all you have to do. Your fireplace will give you steady, even heat at the temperatures and times you set.

Note: If you want to set your fireplace for only one time on and off, set **P2** ☀ and **P2** ☾ for the same times as **P1** ☾. The remote will record the **P1** ☾ off time for both **P2** times.

To temporarily override the timer setting, just press **AUTO** or ▲ and ▼ to go back to manual settings. Press **TIMER** to go back to your settings.

When your remote control displays **BATT**, you need to replace the battery with a new 9 volt alkaline battery—6LR61/MN1604.



Lighting Instructions

FOR YOUR SAFETY READ BEFORE LIGHTING

WARNING: If you do not follow these instructions exactly, a fire or explosion may result causing property damage, personal injury or loss of life.

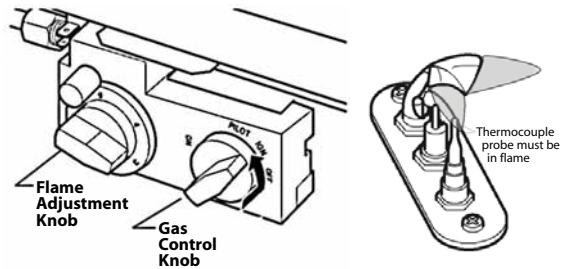
- A. This appliance has a pilot which must be lighted by hand. When lighting the pilot, follow these instructions exactly. To save energy, turn the pilot off when not using the appliance.
- B. **BEFORE LIGHTING**, smell all around the appliance area for gas. Be sure to smell next to the floor because some gas is heavier than air and will settle on the floor.

WHAT TO DO IF YOU SMELL GAS

- **Do not try to light any appliance.**
 - **Do not touch any electric switch; do not use any phone in your building.**
 - **Immediately call your gas supplier from a neighbor's phone. Follow the gas supplier's instructions.**
 - **If you cannot reach your gas supplier, call the fire department.**
- C. Use only your hand to push in or turn the control knobs. Never use tools. If the controls will not push in or turn by hand, don't try to repair them; call a qualified service technician. Force or attempted repair may result in a fire or explosion.
- D. Do not use this appliance if any part has been under water. Immediately call a qualified service technician to inspect the appliance and to replace any part of the control system and any gas control, which has been under water.

LIGHTING INSTRUCTIONS

1. **STOP! Read the safety information above.**
2. Set the flame adjustment knob as far clockwise ⤵ as possible*.
3. Turn the gas control knob clockwise ⤵ to OFF.
NOTE: The knob cannot be turned from PILOT to OFF unless it is pushed in partially. Do not force.
4. Wait five (5) minutes to clear out any gas, then, **smell for gas, including near the floor. If you smell gas, STOP! Follow "B" in the safety information above.** If you don't smell gas, go to the next step.
5. Find the pilot. It is at the left side of the firebox, viewed through slotted hole in front log.
6. Push in and turn the gas control knob counter clockwise ⤴ until resistance is felt just before the IGN position.
7. Keep pushed in for a few seconds to allow gas to flow then, keeping knob depressed, turn to PILOT to light pilot. Hold knob in for a further 5 seconds then release. The knob should pop back out. Pilot should remain lit. If pilot goes out, repeat steps 3 through 7.
 - If knob does not pop out when released, stop and immediately call your service technician or gas supplier.
 - If pilot lights but will not stay lit after several tries, turn the gas control knob to OFF and call your service technician or gas supplier.
8. When pilot is lit, partially depress the knob and turn to ON position (Burner alight).
Do not leave knob set between PILOT and ON.
9. Set the flame height to desired setting*.



TO TURN OFF GAS TO APPLIANCE

1. Set the flame adjustment knob as far clockwise ⤵ as possible*.
 2. Push in the gas control knob slightly and turn clockwise ⤵ to OFF. Do not force.
- * The flame height can be increased or decreased by depressing the remote control hand set button.

Approved Venting Components



Approved Alternative Direct Vent Suppliers for Valor Models 530, 534, 535, AND



Miles Fireplaces' Models MF28

Venting Parts Description			Venting Parts Code / Availability by Manufacturer						
			SIMPSON DURA-VENT	SELKIRK		SECURE VENT	RLH INDUSTRIES	MILES INDUSTRIES	
Termination Caps	Horizontal	Co-axial kit, 26" long	—	—	—	—	—	551DVK	
		Standard Co-axial	984	4DT-HC	—	—	—	—	
		High Wind Co-axial	985	—	—	SV4CHC	—	—	
	Vertical	Standard Co-axial	980	4DT-VC	—	—	HSDV4658-1313		—
		High Wind Co-axial	991	—	—	SV4CGV	—	—	
		Extended Co-axial	930	—	—	—	—	—	
		Co-linear	—	—	—	3PDVCV	HS-C33U-99	559CLT	
							HS-C33F-1313		
		Snorkel, 14" Rise	982	4DT-ST14	—	—	—	—	
Snorkel, 36" Rise	981	4DT-ST36	—	—	—	—			
Vent Adapters / Couplers	Universal Adapter 3" Flex Coupler		2150	—	—	—	—		
	Co-linear Flex Connector		923F	—	—	—	—		
	Co-axial to Co-linear Adapter		923GCL	—	—	—	556CLA		
	Co-linear to Co-axial Adapter		923GK	—	—	—	—		
Aluminum Flexible Liner	3" Diameter		2280 Series	3" ACFL	NOTE: 2-ply liner approved to CAN/ULC S635 suitable for venting gas appliances. As manufactured by Z-Flex.				
Adjustable Pipe Length 4" x 6-5/8"	11" to 14-5/8"	Galvanized	911	—	—	—	—	—	
		Black	911B						
	12" to 17"	Galvanized	912	—	—	—	—	—	
		Black	912B						
	17" to 24"	Galvanized	917	—	—	—	—	—	
		Black	917B						
	4" to 10"	Galvanized	—	4DT-ADJ		—	—	—	
		Black		4DT-ADJ(B)					
	1-1/2" to 6"	Galvanized	—	—	—	SV4LA		—	
		Black				SV4LBA			
	1-1/2" to 12"	Galvanized	—	—	—	SV4LA12		—	
		Black				SV4LBA12			
	1-1/2" to 24"	Galvanized	—	—	—	SV4LA24		—	
		Black				SV4LBA24			

Approved Venting Components

Venting Parts Description		Venting Parts Code / Availability by Manufacturer						
		SIMPSON DURA-VENT	SELKIRK		SECURE VENT	RLH INDUSTRIES	MILES INDUSTRIES	
DV 45° Elbows	Galvanized	945	—	—	—	—	—	
	Black	945B	—	—	SV4EBR45	—	—	
	Galvanized Swivel	945G	4DT-EL45	—	SV4E45	—	—	
	Black Swivel	945BG	4DT-EL45(B)	—	SV4EB45	—	—	
DV 90° Elbows	Galvanized	990	—	—	—	—	—	
	Black	990B	—	—	SV4EBR90	—	—	
	Galvanized Swivel	990G	4DT-EL90	—	SV4E90	—	—	
	Black Swivel	990BG	4DT-EL90(B)	—	SV4EB90	—	—	
Pipes 4" x 6 5/8" (ID x OD)	6" long	Galvanized	908	4DT-06	—	SV4L6	—	
		Black	908B	4DT-06(B)	—	SV4LB6	—	
	9" long	Galvanized	907	4DT-09	—	—	—	—
		Black	907B	4DT-09(B)	—	—	—	—
	12" long	Galvanized	906	4DT-12	—	SV4L12	—	—
		Black	906B	4DT-12(B)	—	SV4LB12	—	—
	18" long	Galvanized		4DT-18	—	—	—	—
		Black		4DT-18(B)	—	—	—	—
	24" long	Galvanized	904	4DT-24	—	SV4L24	—	—
		Black	904B	4DT-24(B)	—	SV4LB24	—	—
	36" long	Galvanized	903	4DT-36	—	SV4L36	—	—
		Black	903B	4DT-36(B)	—	SV4LB36	—	—
	48" long	Galvanized	902	4DT-48	—	SV4L48	—	—
		Black	902B	4DT-48(B)	—	SV4LB48	—	—
	Flashing	Roof Flashing 0/12-6/12	943	4DT-AF6	—	SV4FA	—	—
		Roof Flashing 7/12-12/12	943S	4DT-AF12	—	SV4B	—	—
Flat Roof Flashing		943F	—	—	SV4F	—	—	
Various Venting System Parts	Wall Thimble	942	4DT-WT	—	SV4RSM	—	—	
	Storm Collar	953	4DT-SC	—	SV4AC	—	—	
	Decorative Plate	940	4DT-CS	—	SV4PF	—	—	
	Cathedral Ceiling Support	941	4DT-CCS	—	—	—	—	
	Ceiling Firestop / Floor Support	963	4DT-FS	—	SV4BF	—	—	
					SV4SD	—	—	
	Wall Strap	988	4DTWS	—	—	—	—	
	Vinyl Siding Standoff	950	4DT-VS	—	SV4VS	—	—	
	Elbow Strap	989	4DT-OS	—	—	—	—	
Terminal Guard	984SG	—	—	—	—	835TG		

Notes: 1) Simpson Dura-Vent co-axial pipes and fittings require Valor 817VAK Starter Adapter to fit Valor's smooth collars. All other above manufacturers' collars will fit directly to Simpson Dura-Vent or Valor's smooth collars. 2) Follow instructions supplied with each manufacturer's components. 3) Unless otherwise specified, all the parts and assemblies from the above table are to be used with 4" x 6-5/8" pipes. 4) Termination caps manufactured by RLH Industries are from *Homestyle Chimney Collection* and can be ordered in one of the following finishes: a) aluminium; b) black powder coated; c) solid copper.

Warranty

If you have a problem with this unit, please contact your dealer or supplier immediately. Under no circumstances should you attempt to service the unit in any way by yourself. The warranties in paragraphs 1 and 2 are provided only to the first purchaser/user of this unit, are not transferable and are subject to the conditions and limitations in paragraphs 3, 4 and 5. Please review the conditions and limitations carefully and strictly follow their requirements.



1. Extended Warranty Coverage

For a period of up to ten (10) years, Miles Industries Ltd., (the "Company") or its appointed distributor will at its option pay the initial purchaser for the repair of, or will exchange the following parts or components which are found to be defective in material or workmanship under normal conditions of use and service:

Part or Component	Defect Covered	Maximum Warranty Period
Exterior steel casing	Corrosion	10 years
Glass	Loss of structural integrity	10 years
Cast iron parts	Corrosion	10 years
Firebox and heat exchanger	Corrosion (but not discoloration) causing loss of structural integrity	10 years

2. Two-Year Parts Warranty

In addition, for two (2) years from the date of purchase, the Company, at its option, can repair or exchange all parts and components not listed above but that are found to have a *bona fide* defect in material or workmanship under normal conditions of use.

3. Conditions and Limitations

- a) The warranty registration card must be completed by the initial owner and returned to the Company within 90 days of purchase.
- b) Installation and maintenance must be performed by an authorized and trained dealer in accordance with the Company's installation instructions.
- c) This warranty is void where installation of the unit does not conform to all applicable codes including national and local gas appliance installation codes and building and fire codes.
- d) The owner must comply with all operating instructions.
- e) The Company is not responsible for the labor costs to remove defective parts or re-install repaired or replacement parts.
- f) The first purchaser or user of the unit will be responsible for any shipping charges for replacement parts as well as travel time incurred by the dealer to perform the warranty work.
- g) This warranty applies to non-commercial use and service and is void if it is apparent that there is abuse, misuse, alteration, improper installation, accident or lack of maintenance to the unit.
- h) This warranty does not cover damage to the unit through:
 - i) Improper installation, operational or environmental conditions.
 - ii) Inadequate ventilation in the area or competition for air from other household equipment or appliances.
 - iii) Damage due to chemicals, dampness, condensation, or sulphur in the fuel supply lines which exceeds industry standards.
- i) This warranty does not cover glass, log breakage or damage to the unit while in transit.
- j) The Company does not allow anyone to extend, alter or modify this warranty and assumes no responsibility for direct, indirect or consequential damages caused by the unit. State or provincial laws where the first purchaser or user resides may provide specific rights to extend this warranty and, if so, the Company's sole obligation under this warranty is to provide labor and/or materials in accordance with those laws.

4. Discharge of Liability

After two (2) years from the date of purchase, the Company may, at its option, fully discharge all obligations under this warranty by paying to the first purchaser/user the wholesale price of any defective parts.

5. No Other Warranty

All obligations to repair this unit are defined in this warranty. Some states or provinces may specifically mandate additional warranties on the part of manufacturers, but in the absence of such specific legislation, there is no other warranty or obligation expressed or implied.