

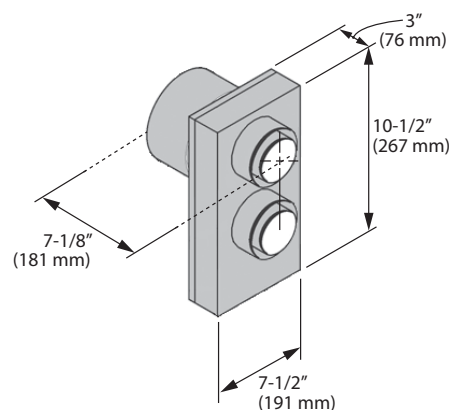
Conversion to Co-Linear Liners using generic Co-Linear Adapters

Co-linear portion of vent system may only be installed within a solid-fuel burning fireplace and chimney.

The appliance must not be connected to a chimney flue serving a separate solid-fuel burning appliance.

Requires a Co-Axial to Co-Linear appliance Adapter, two lengths of 2-ply 3" dia. flexible chimney liner approved for venting gas appliances, a co-linear termination kit and flashing or a co-linear to co-axial adapter and either a high wind vertical vent terminal cap or a low profile vertical termination.

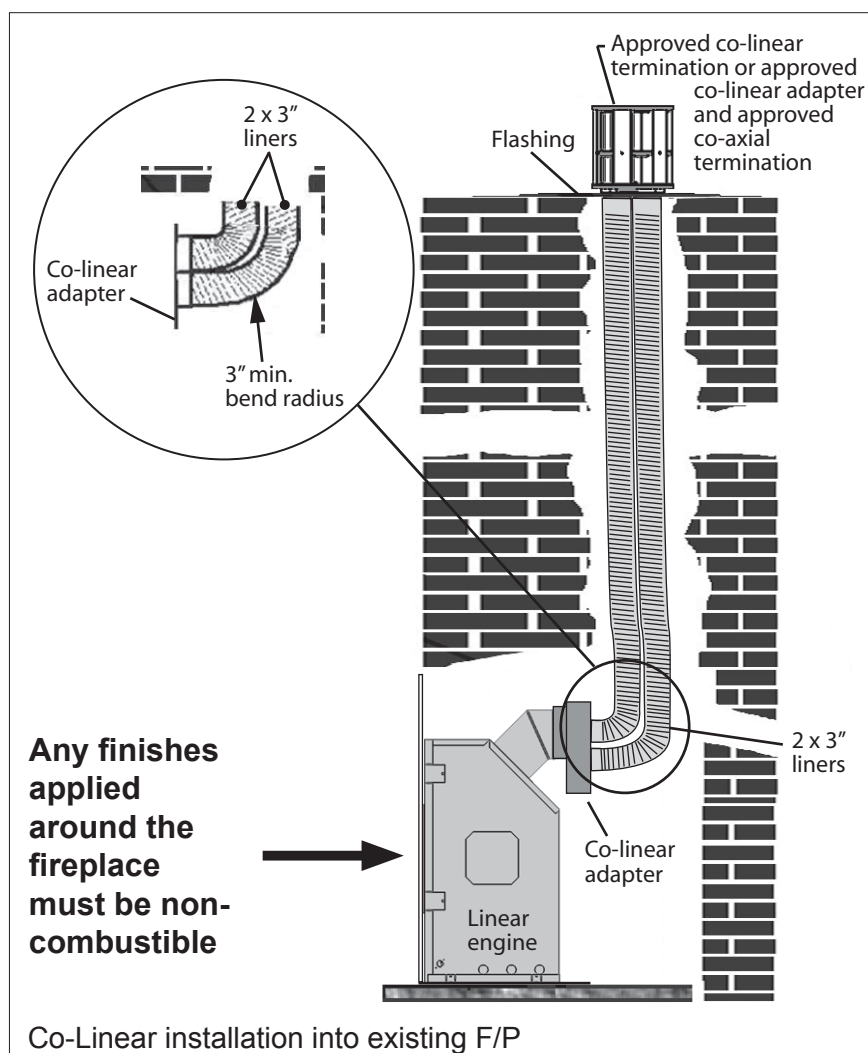
Firebox zero clearance standoffs supplied with the heater are not required for this application.



Dura-Vent #46DVA-GCL Co-Axial to Co-Linear Adapter

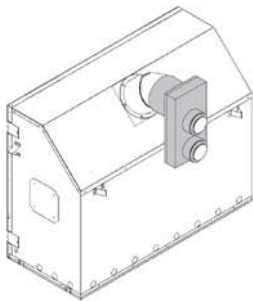
Rules for Co-Linear Venting

- Maximum 40 feet vertical pipe;
- Minimum 10 feet vertical;
- Maximum offset 8 feet with liners at minimum 45 degrees from horizontal plane;
- Restrictor: Use #4 position for all co-linear installations—refer to page 20 of the L1 installation manual for restrictor positioning.

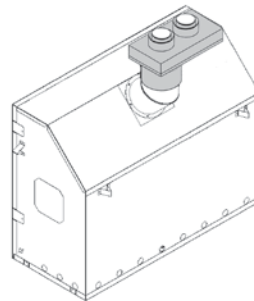
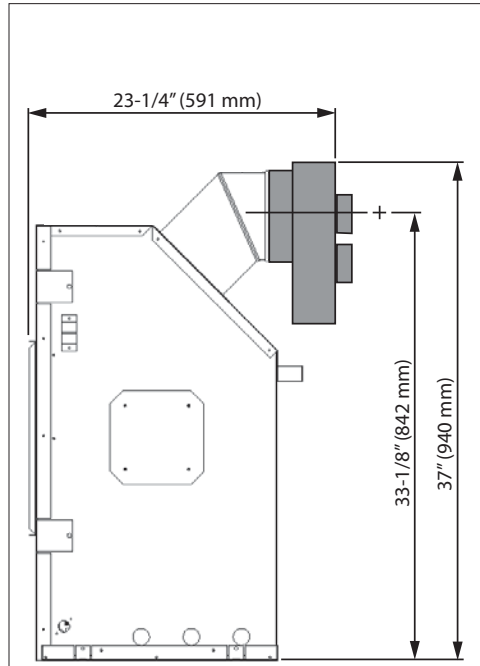


Dimensions with co-linear adapter

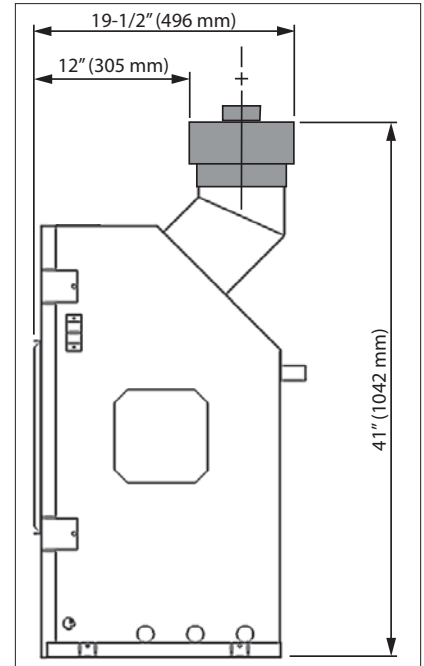
Dimensions shown are with Simpson Dura-Vent co-linear adapter. Other manufacturers' adapters may vary.



Linear rear outlet with co-linear adapter



Linear top outlet with co-linear adapter



Co-linear terminal configurations

