



#### THE VALOR H4

Integrating contemporary design with efficient Valor heat, the H4 is one of our most versatile fireplaces to date. Choose from two different backing plates (landscape or square) and one of three designer bezel window trims in copper, nickel or black.

#### VALORSTAT PLUS REMOTE CONTROL & WALL SWITCH KIT - STANDARD FEATURES



Easily select, adjust and program the desired temperature that you want, saving energy and lowering your overall home heating costs.

**Pilot On Demand:** Turn your pilot light **ON** and **OFF** from the handheld remote for years of additional energy savings. In addition to the ValorStat Plus remote the **Wall Switch Kit** provides secondary fireplace control.

#### NO POWER, NO PROBLEM

Engineered to circulate air through natural convection, the H4 is highly efficient without a fan - providing reliable heat, even during a power failure.

#### SPREAD THE WARMTH - EFFICIENT HEAT DISTRIBUTION

Heating your entire home with a central forced air system is often inefficient. With a Valor, you supply steady, even heat directly where you want it - when you want it. Studies have shown that effective zone heating can save you up to 30% on home heating costs. Turn down your furnace and save with Valor!

#### USE RADIANT HEAT SAFELY

Fireplace surfaces, in particular the glass viewing window, are extremely hot during operation and will remain hot for a period of time after the fireplace is turned off. Contact with the hot glass can cause severe burns. Close adult supervision is required if there are young children, or at-risk individuals in the house. As well, a physical barrier is strongly recommended. Install an approved aftermarket safety gate to keep toddlers, young children and at-risk individuals a safe distance from the fireplace.

For more information please visit [www.valorfireplaces.com/safety](http://www.valorfireplaces.com/safety).



FIREPLACE SAFETY



Valor H4 650JL shown with 662SSV Outer Square Surround (Vintage Iron) & 661BSC Inner Bezel Surround - Copper

**valor** THE WISE WAY TO HEAT

THE ORIGINAL RADIANT GAS FIREPLACE™

JUNE 2013 - BRH413E

Your Authorized Valor Dealer

Contemporary, Radiant Gas Fireplaces

valor H4 SERIES™



**valor**  
THE ORIGINAL RADIANT GAS FIREPLACE™  
[www.valorfireplaces.com](http://www.valorfireplaces.com)

# Efficient Design for Contemporary Living

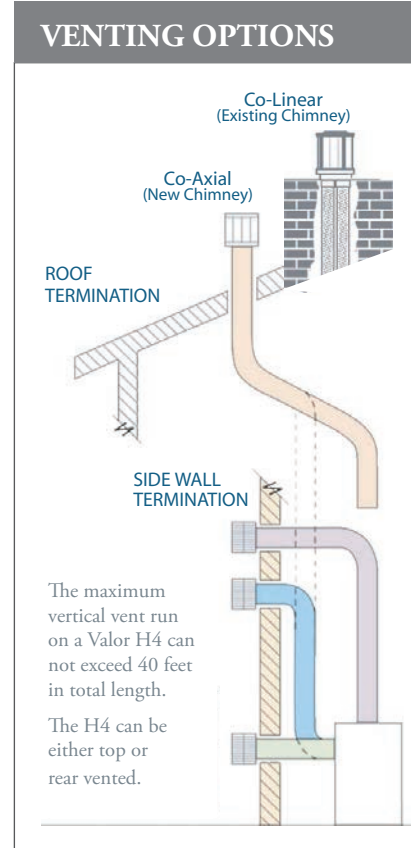
Valor H4 650IR shown with 660LSV Outer Landscape Surround (Vintage Iron) & 661BSP Inner Bezel Surround - Brushed Nickel with 620FBL Fluted Black Liner & 761DRK Decorative Rock Kit Accessory



Shown with 671RGK Rock & Glass Kit

Shown with 761DRK Decorative Rock Kit Accessory

- 660LSV Outer Landscape Surround (Vintage Iron) & 661BSP Inner Bezel Surround - Nickel Powder Coat with 618EBL Enamel Black Liner
- 660LSV Outer Landscape Surround (Vintage Iron) & 661BSB Inner Bezel Surround - Black with 618EBL Enamel Black Liner & Log Set
- 660LSB Outer Landscape Surround (Black) & 661BSC Inner Bezel Surround - Copper with 620FBL Fluted Black Liner & Creekside Fuel Bed
- 662SSV Outer Square Surround (Vintage Iron) & 661BSC Inner Bezel Surround - Copper with 622LSL LedgeStone Liner & Log Set
- 662SSV Outer Square Surround (Vintage Iron) & 661BSB Inner Bezel Surround - Brushed Nickel with 620FBL Fluted Black Liner & Creekside Fuel Bed
- 662SSV Outer Square Surround (Vintage Iron) & 661BSB Inner Bezel Surround - Black with 621VRL Valor Red Brick Liner & Log Set



### UNDERSTANDING ENERGY EFFICIENCY RATINGS

All Valor product literature is published using recognized Canadian and US government test methods for determining energy efficiency performance. This ensures our products will perform in your home as rated. Beware of misleading "steady state" efficiency claims made by manufacturers using their own "in-house" test methods. For example - a large difference between an EnerGuide rating and a "steady state efficiency" may indicate misleading efficiency claims. For more information visit [www.valorfireplaces.com](http://www.valorfireplaces.com).

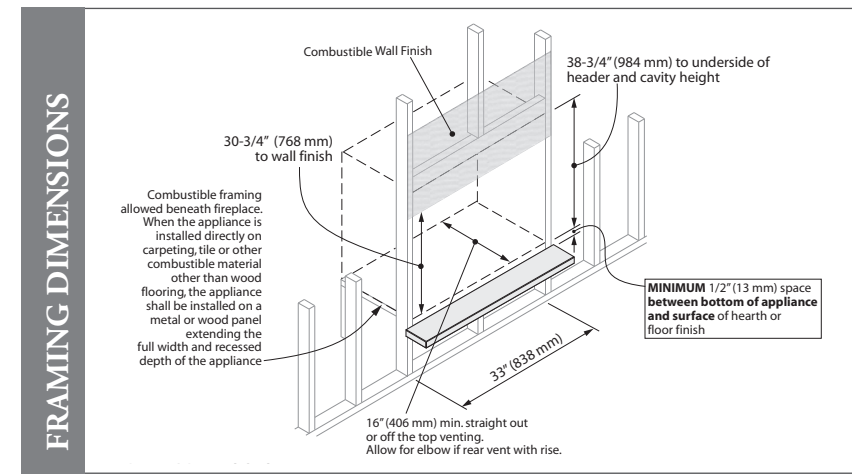
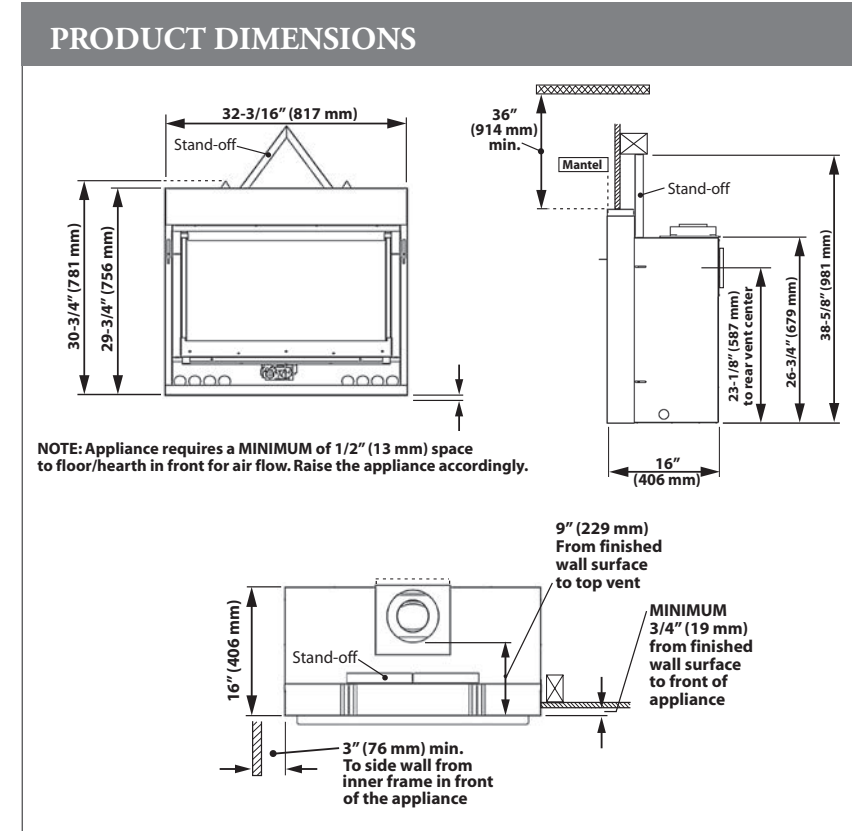
### H4 FIREPLACE COMPONENTS

ENGINES	650JLN	Direct Vent H4 Engine NG (Log Set)	
650JLP	Direct Vent H4 Engine LPG (Log Set)		
650IRN	Direct Vent H4 Engine NG (Creekside Rock Set)		
650IRP	Direct Vent H4 Engine LPG (Creekside Rock Set)		
LINERS	618EBL	Enamel Black Liner (Reflective)	
620FBL	Fluted Black Liner		
621VRL	Valor Red Brick Liner		
622LSL	LedgeStone Liner		
SURROUNDS	660LSB	Outer Landscape Surround - Black (31-5/8" h X 44-3/4" w)	<b>Please Note:</b> When building your H4, you must select one <b>Outer Surround</b> as well as one <b>Inner Bezel Surround</b> .
	660LSV	Outer Landscape Surround - Vintage Iron (31-5/8" h X 44-3/4" w)	
	662SSV	Outer Square Surround - Vintage Iron (31-3/16" h X 36-3/4" w)	
	661BSB	Inner Bezel Surround - Black	
	661BSC	Inner Bezel Surround - Copper	
661BSN	Inner Bezel Surround - Nickel Powder Coat		
661BSP	Inner Bezel Surround - Brushed Nickel		
OPTIONAL KITS	556CLA	Co-linear Adapter - converts co-axial vent to 2 x 3" vent liners (insert)	
	559CLT	Co-linear Terminal - chimney liner termination cap (for use with 556CLA)	
	607NGK	LP to Natural Gas Conversion Kit	
	671RGK	Rock and Glass Kit (650IR Series only)	
	755CFK	Circulating Fan Kit - variable speed, thermally activated	
	761DRK	Optional Decorative Rock Kit Accessory	
	817VAK	Vent Adapter Kit - Simpson DuraVent	
845TG	Terminal Guard (required item in certain app. see install manual)		
GV60BRK	1-Hour Shut Down Handset		
GV60NTK	Non-Thermostat Handset		

### MODEL/FUEL

Model	Fuel	Max. Input BTU/hr	Min. Input BTU/hr	EnerGuide Rating**	Max. Output** (w/out fan) BTU/hr
650JLN(Log) / IRN (Rock)	NG	24,000	6,500	70.9%	17,506
650JLP(Log) / IRP (Rock)	LPG	24,000	13,000	70.9%	17,506

Certified to ANSI Z21.88/ CSA 2.33 Vented Gas Fireplace Heater Standard/ CAN 1 - 2.17 Gas Fired Appliances For Use at High Altitude  
\*\* EnerGuide Ratings and Outputs have been determined without a fan/blower, using the CSA P4.1-02 test method



All product information is accurate at time of printing and is subject to change. Please Note: Printed images may vary from actual product. To guarantee you have selected the correct product for your home, visit your local Valor dealer. There you will find live burning units that perfectly match the fireplace you have in mind.

PLEASE REFER TO THE COMPLETE H4 (650) PRODUCT MANUAL BEFORE INSTALLATION

**WARNING**

HOT GLASS WILL CAUSE BURNS. DO NOT TOUCH GLASS UNTIL COOLED. NEVER ALLOW CHILDREN TO TOUCH GLASS.

Canada

**ENERGUIDE**

Look for the EnerGuide Gas Fireplace Energy Efficiency Rating in this brochure

Based on CSA P4.1-02

NATIONAL FIREPLACE INSTITUTE

**NFI**

ADVOCATE

ENERCHOICE

ENERCHOICE.ORG

Designed and manufactured by:

**MILES INDUSTRIES**

Copyright Miles Industries Ltd. 2013  
Proudly Made in North America

Printed on recycled paper