



H4 SERIES



Model 650IRN (Natural Gas) Model 650IRP (Propane) Direct Vent Gas Fireplace Heater Installation & Operating Instructions

WARNING



**HOT GLASS WILL
CAUSE BURNS.
DO NOT TOUCH GLASS
UNTIL COOLED.
NEVER ALLOW CHILDREN
TO TOUCH GLASS.**

INSTALLER: Leave this manual with the appliance.
CONSUMER: Retain this manual for future reference.

Please read this manual **BEFORE** installing and operating this appliance.

WARNING: If the information in these instructions is not followed exactly, a fire or explosion may result causing property damage, personal injury or loss of life.

Do not store or use gasoline or other flammable vapors and liquids in the vicinity of this or any other appliance.

WHAT TO DO IF YOU SMELL GAS

- Do not try to light the appliance.
- Do not touch any electrical switch; do not use any phone in your building.
- Immediately call your gas supplier from a neighbor's phone. Follow the gas supplier's instructions.
- If you cannot reach your gas supplier, call the fire department.

Installation and service must be performed by a qualified installer, service agency or the gas supplier.

This appliance may be installed in an after-market permanently located, manufactured (mobile) home where not prohibited by local codes.

This appliance is only for use with the type of gas indicated on the rating plate. This appliance is not convertible for use with other gases, unless a certified kit is used.

This appliance is a domestic room-heating appliance. It must not be used for any other purposes such as drying clothes, etc.

This appliance is suitable for installation in a bedroom or bed sitting room.

Massachusetts: The piping and final gas connection must be performed by a licensed plumber or gas fitter in the State of Massachusetts. Also, see Carbon Monoxide Detector requirements under "Safety and Warning Information" on page 5.

Manufactured by
MILES INDUSTRIES LTD., British Columbia, Canada
www.valorfireplaces.com

Thank You ...

For purchasing a Valor by Miles Industries. Your new radiant gas heater is a technical appliance that must be installed by a qualified dealer. Each Valor fireplace is fully tested during the production process for your safety and comfort.

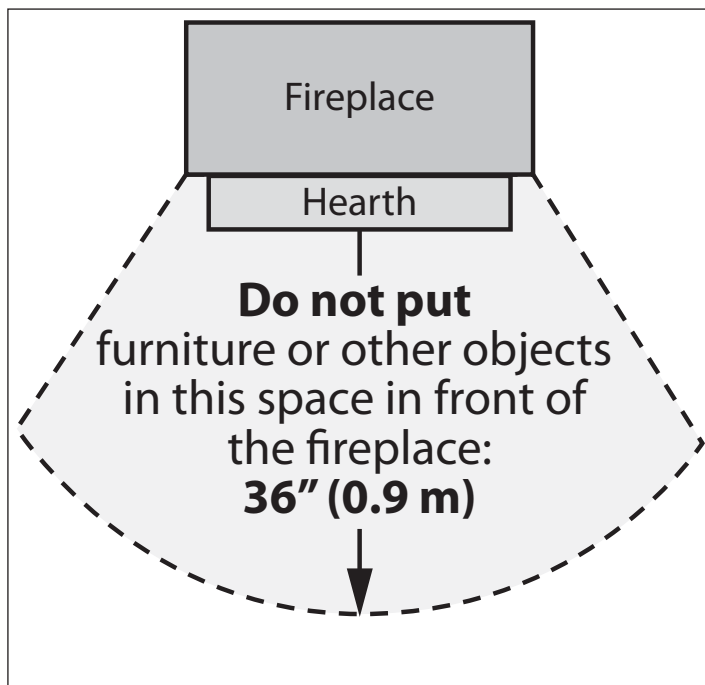
Your unit has been professionally installed by:

Dealer Name _____

Phone Number _____

Should you encounter an operational problem, call your dealer immediately. Do not try to repair the unit as you may cause an injury or damage the fireplace.

The information contained in this installation manual is believed to be correct at the time of printing. Miles Industries Ltd. reserves the right to change or modify any information or specifications without notice. Miles Industries Ltd. grants no warranty, implied or stated, for the installation or maintenance of your heater, and assumes no responsibility for any consequential damage(s).



We recommend that our gas hearth products be installed and serviced by professionals who are certified in the United States by NFI (National Fireplace Institute®).

Designed and Manufactured by / for
Miles Industries Ltd.

190-2255 Dollarton Highway, North Vancouver, BC, CANADA V7H 3B1

Tel. 604-984-3496 Fax 604-984-0246

www.valorfireplaces.com

© Copyright Miles Industries Ltd., 2011

Table of Contents

Safety and Warning Information	4
Specifications	7
Overview.....	8
Dimensions	9
Framing	10
Location.....	11
Venting.....	11
Co-Axial Venting.....	12
Co-Linear Venting.....	18
Appliance Preparation	19
Gas Supply Installation.....	22
Liner Panels Installation	23
Ceramic Rocks Installation.....	24
Window Refitting & Baffle Installation.....	26
Wall Switch Kit Installation.....	27
Remote Control Initial Set-up.....	28
Operation Check & Aeration Settings Adjustment.....	28
Remote Control Handset Wall Holder Installation.....	29
Owner's Information.....	29
Remote Control Operation.....	32
Options	35
Lighting Instructions.....	36
Wiring Diagram	37
◇ Approved Venting Components.....	38
Warranty	40
Replacement Parts	41

◇ = Updated content

Safety and Warning Information

READ and **UNDERSTAND** all instructions carefully before starting the installation. **FAILURE TO FOLLOW** these installation instructions may result in possible fire hazard and will void the warranty.

Prior to the first firing of the fireplace, **READ** the Owner's Information section of this manual.

DO NOT USE this appliance if any part has been under water. Immediately, **CALL** a qualified service technician to inspect the unit and to replace any part of the control system and any gas control that has been under water.

THIS UNIT IS NOT FOR USE WITH SOLID FUEL.

Installation and repair should be **PERFORMED** by a qualified service person. The appliance and venting system should be **INSPECTED** before initial use and at least annually by a professional service person. More frequent cleaning may be required due to excessive lint from carpeting, bedding, etc. It is **IMPERATIVE** that the unit's control compartment, burner, and circulating air passageways **BE KEPT CLEAN** to provide for adequate combustion and ventilation air.

Always **KEEP** the appliance clear and free from combustible materials, gasoline, and other flammable vapors and liquids.

NEVER OBSTRUCT the flow of combustion and ventilation air. Keep the front of the appliance **CLEAR** of all obstacles and materials for servicing and proper operation.

Due to the high temperature, the appliance should be **LOCATED** out of traffic areas and away from furniture and draperies. Clothing or flammable material **SHOULD NOT BE PLACED** on or near the appliance.

Children and adults should be **ALERTED** to the hazards of high surface temperature and should **STAY AWAY** to avoid burns or clothing ignition.

YOUNG CHILDREN should be **CAREFULLY SUPERVISED** when they are in the same room as the appliance. Toddlers, young children and others may be susceptible to **ACCIDENTAL CONTACT BURNS**. A physical barrier is recommended if there are at risk individuals in the house. To restrict access to a fireplace or stove, **INSTALL AN ADJUSTABLE SAFETY GATE** to keep toddlers, young children and other at risk individuals out of the room and away from hot surfaces.

This unit **MUST** be used with a vent system as described in this installation manual. **NO OTHER** vent system or components **MAY BE USED**.

This gas fireplace and vent assembly **MUST** be vented directly to the outside and **MUST NEVER** be attached to a chimney serving a separate solid fuel burning appliance. Each gas appliance **MUST USE** a separate vent system. Common vent systems are **PROHIBITED**.

INSPECT the external vent cap on a regular basis to make sure that no debris, plants, trees, shrubs are interfering with the air flow.

The glass door assembly **MUST** be in place and sealed before the unit can be placed into safe operation.

DO NOT OPERATE this appliance with the glass door removed, cracked, or broken. Replacement of the glass door should be performed by a licensed or qualified service person. **DO NOT** strike or slam the glass door.

The glass door assembly **SHALL ONLY** be replaced as a complete unit, as supplied by the fireplace manufacturer. **NO SUBSTITUTE** material may be used.

DO NOT USE abrasive cleaners on the glass door assembly. **DO NOT ATTEMPT** to clean the glass door when it is hot.

TURN OFF the gas before servicing this appliance. It is recommended that a qualified service technician perform an appliance check-up at the beginning of each heating season.

Any safety screen or guard removed for servicing **MUST BE REPLACED** before operating this appliance.

DO NOT place furniture or any other combustible household objects within 36" of the fireplace front.

BE CAREFUL not to put any decorating objects sensitive to heat to close above or around the fireplace as it gets very hot when operating.

DO NOT use this heater as a temporary source of heat during construction.

This appliance is a **DOMESTIC ROOM-HEATING APPLIANCE**. It must not be used for any other purposes such as drying clothes, etc.

Safety and Warning Information

Operating Your Fireplace for the First Time

When operating your new fireplace for the first time, some vapors may be released due to the burning of curing compounds used in the manufacture of the appliance. They may cause a slight odor and could cause the flames to be the full height of the firebox, or even slightly higher, for the first few hours of operation. It is also possible that these vapors could set off any smoke detection alarms in the immediate vicinity. These vapors are quite normal on new appliances. We recommend opening a window to vent the room. After a few hours use, the vapors will have disappeared and the flames will be at their normal height.

State of California. Proposition 65 Warning.

Fuels used in gas, wood-burning or oil fired appliances, and the products of combustion of such fuels, contain chemicals known to the State of California to cause cancer, birth defects and other reproductive harm. California Health & Safety Code Sec. 25249.6.

State of Massachusetts Carbon Monoxide Detector/Vent Terminal Signage Requirements

For all side wall horizontally vented gas fueled equipment installed in every dwelling, building or structure used in whole or in part for residential purposes, including those owned or operated by the Commonwealth and where the side wall exhaust vent termination is less than seven (7) feet above finished grade in the area of the venting, including but not limited to decks and porches, the following requirements shall be satisfied:

1. INSTALLATION OF CARBON MONOXIDE DETECTORS. At the time of installation of the side wall horizontal vented gas fueled equipment, the installing plumber or gas fitter shall observe that a hard wired carbon monoxide detector with an alarm and battery back-up is installed on the floor level where the gas equipment is to be installed. In addition, the installing plumber or gas fitter shall observe that a battery operated or hard wired carbon monoxide detector with an alarm is installed on each additional level of the dwelling, building or structure served by the side wall horizontal vented gas fueled equipment. It shall be the responsibility of the property owner to secure the services of qualified licensed professionals for the installation of hard wired carbon monoxide detectors.

a. In the event that the side wall horizontally vented gas fueled equipment is installed in a crawl space or an attic, the hard wired carbon monoxide detector with alarm and battery back-up may be installed on the next adjacent floor level.

b. In the event that the requirements of this subdivision can not be met at the time of completion of installation, the owner shall have a period of thirty (30) days to comply with the above requirements; provided, however, that during said thirty (30) day period, a battery operated carbon monoxide detector with an alarm shall be installed.

2. APPROVED CARBON MONOXIDE DETECTORS.

Each carbon monoxide detector as required in accordance with the above provisions shall comply with NFPA 720 and be ANSI/UL 2034 listed and IAS certified.

3. SIGNAGE. A metal or plastic identification plate shall be permanently mounted to the exterior of the building at a minimum height of eight (8) feet above grade directly in line with the exhaust vent terminal for the horizontally vented gas fueled heating appliance or equipment. The sign shall read, in print size no less than one-half (1/2) inch in size, "GAS VENT DIRECTLY BELOW. KEEP CLEAR OF ALL OBSTRUCTIONS".

4. INSPECTION. The state or local gas inspector of the side wall horizontally vented gas fueled equipment shall not approve the installation unless, upon inspection, the inspector observes carbon monoxide detectors and signage installed in accordance with the provisions of 248 CMR 5.08(2)(a)1 through 4.

(b) EXEMPTIONS: The following equipment is exempt from 248 CMR 5.08(2)(a)1 through 4:

1. The equipment listed in Chapter 10 entitled "Equipment Not Required To Be Vented" in the most current edition of NFPA 54 as adopted by the Board; and

2. Product Approved side wall horizontally vented gas fueled equipment installed in a room or structure separate from the dwelling, building or structure used in whole or in part for residential purposes.

Safety and Warning Information

(c) MANUFACTURER REQUIREMENTS - GAS EQUIPMENT VENTING SYSTEM PROVIDED.

When the manufacturer of Product Approved side wall horizontally vented gas equipment provides a venting system design or venting system components with the equipment, the instructions provided by the manufacturer for installation of the equipment and the venting system shall include:

1. Detailed instructions for the installation of the venting system design or the venting system components; and
2. A complete parts list for the venting system design or venting system.

(d) MANUFACTURER REQUIREMENTS - GAS EQUIPMENT VENTING SYSTEM NOT PROVIDED.

When the manufacturer of a Product Approved side wall horizontally vented gas fueled equipment does not provide the parts for venting the flue gases, but identifies “special venting systems”, the following requirements shall be satisfied by the manufacturer:

1. The referenced “special venting system” instructions shall be included with the appliance or equipment installation instructions; and
2. The “special venting systems” shall be Product Approved by the Board, and the instructions for that system shall include a parts list and detailed installation instructions.

(e) A copy of all installation instructions for all Product Approved side wall horizontally vented gas fueled equipment, all venting instructions, all parts lists for venting instructions, and/or all venting design instructions shall remain with the appliance or equipment at the completion of the installation.

Specifications

Approvals & codes

These appliances are certified by ANSI Z21.88-2009/CSA 2.33-2009 American National Standard / CSA Standard for *Vented Gas Fireplace Heaters* for use in Canada and USA. These appliances are for installation directly venting through an outside wall or through the roof.

Model 650IRN is for use with natural gas.

Model 650IRP is for use with propane gas.

Conversion between fuels may only be done using the approved conversion kits listed in the section *Options*.

These appliances comply with CSA P4.1-09 *Testing method for measuring annual fireplace efficiencies*.

The installation must conform with local codes or, in the absence of local codes with the *National Fuel Gas Code*, *ANSI Z223.1* or the *Natural Gas and Propane Installation Code CAN/CGA-B149*. Only qualified licensed or trained personnel should install these appliances.

These appliances, when installed, must be electrically grounded in accordance with local codes or, in the absence of local codes, with the *National Electrical Code*, *ANSI/NFPA 70* or the *Canadian Electrical Code*, *CSA C22.1*.

Ratings

Model	650IRN	650IRP
Gas	Natural	Propane
Altitude (Ft.)	0-4,500 *	
Input Max. (Btu/h)	24,000	24,000
Input Min. (Btu/h)	6,500	13,000
Manifold pressure (in w.c.)	3.95	10.5
Min. Supply pressure (in. w.c.)	5.0	11.0
Max. Supply pressure (in. w.c.)	11.0	14.0

*Tested to *CGA - 2.17-91 High Altitude Standard in Canada*. In the USA, installations may require deration over 2,000 feet—check local codes.

*High Altitude Installations

Input ratings are shown in BTU per hour and are certified without deration for elevations up to 4,500 feet (1,370 m) above sea level.

For elevations above 4,500 feet (1,370 m) in USA, installations must be in accordance with the current *ANSI Z223.1* and/or local codes having jurisdiction.

Heating value of gas in some areas is reduced to compensate for elevation—consult your local gas utility to confirm.

For installations at elevations above 4,500 feet (1,370 m) in Canada, please consult provincial and/or local authorities having jurisdiction.

Supply Gas

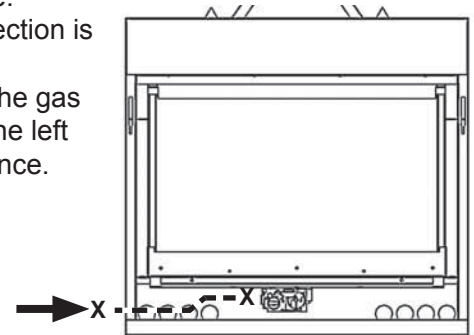
Heater engine unit 650IRN is used with natural gas installations.

Heater engine unit 650IRP is used with propane gas installations.

The supply pressure must be between the limits shown in the table above.

The supply connection is $\frac{3}{8}$ inch NPT.

The opening for the gas supply line is at the left side of the appliance.



Wall Thickness

The vent system (when horizontally terminated)

is approved to pass through combustible wall construction of up to 14 inches (36 cm) thick.

A non-combustible wall can be any thickness up to the maximum horizontal run of vent pipe allowed for the particular installation—see *Venting* section.

Venting options

Direct vent installations (solid piping)

A list of all approved venting accessories is shown on pages 38–39 of this manual.

NOTE: An 817VAK Vent Adapter is required in all cases when using vent components other than Valor's 551DVK Standard Vent Terminal.

Direct Vent Co-Linear Installations (flexible piping)

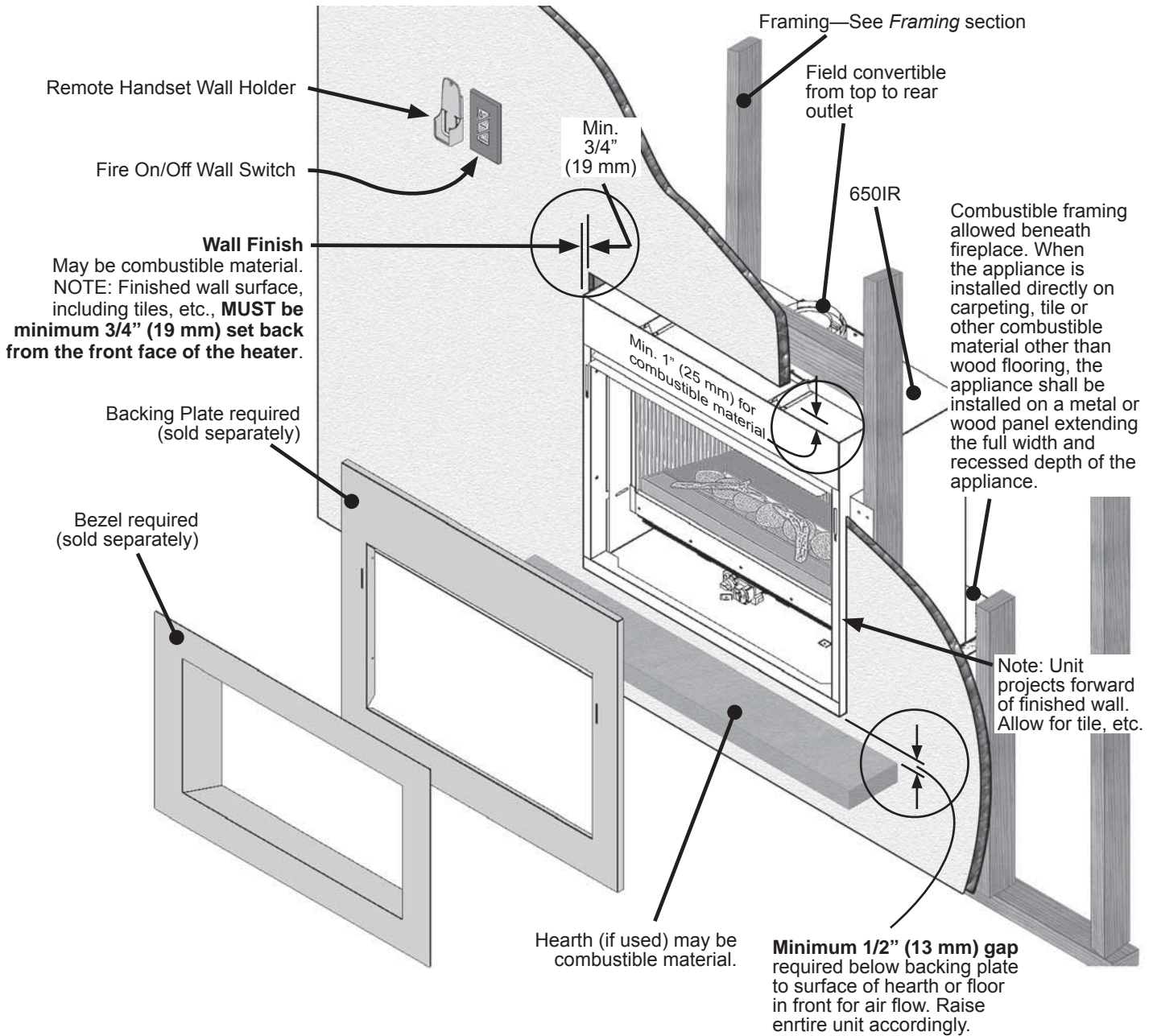
Converts the appliance outlet collars to accept two 3-inch diameter flex liners for installation into existing solid-fuel burning fireplaces and chimneys. Requires a co-linear adapter at the appliance and either a co-linear terminal or co-linear-to-co-axial adapter and terminal at the top of the chimney. A list of approved venting accessories is shown on pages 38–39 of this manual.

Floor/Hearth

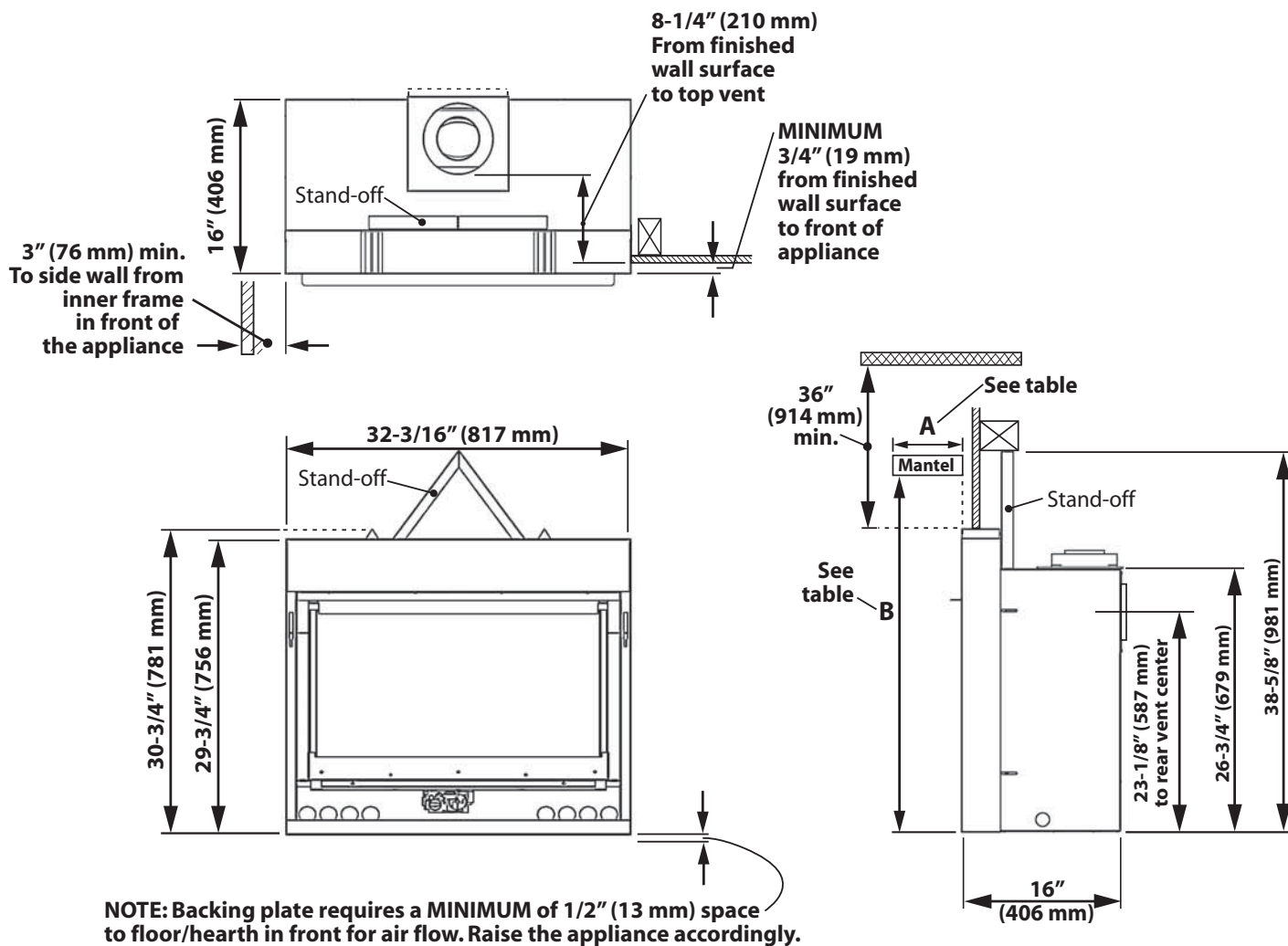
This appliance is approved for installation directly on combustible material such as plywood and so on. Vinyl, carpet, and soft flooring require sheet metal extending the whole width and depth under the appliance.

This appliance does not require a hearth. Combustible flooring may extend up to the front of the unit.

Overview



Dimensions



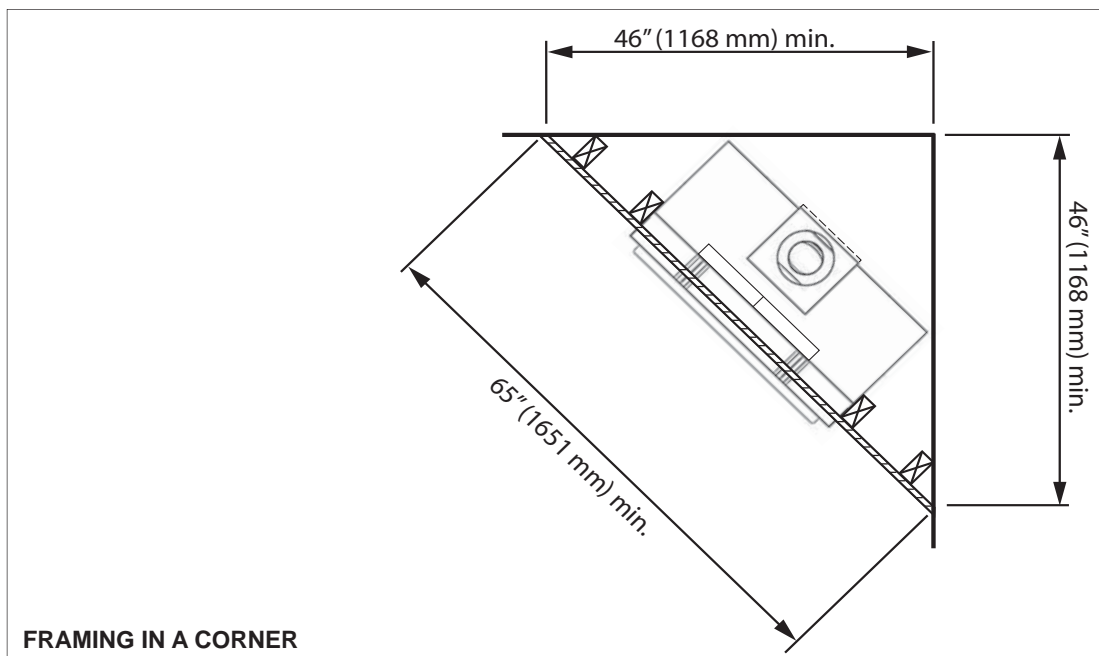
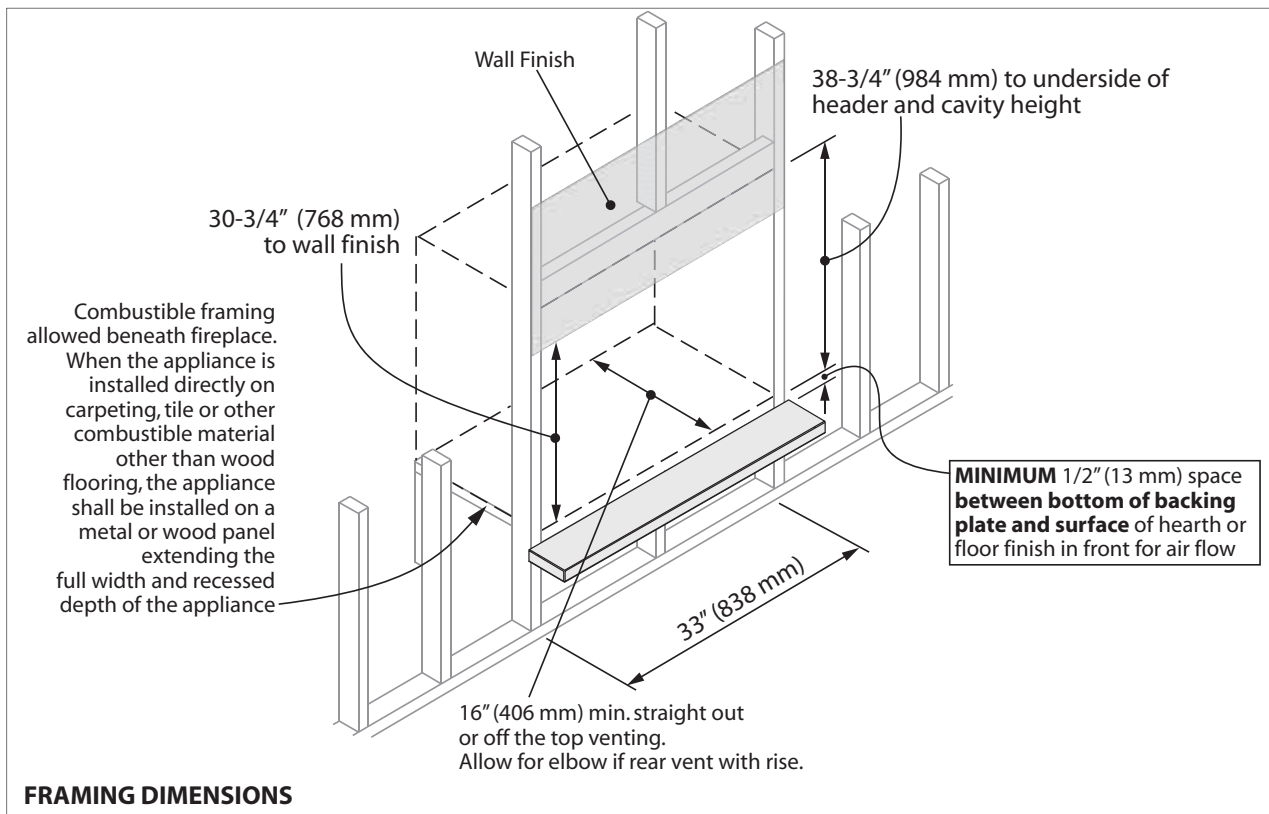
Mantel depth "A"	0-2" (0-51 mm)	2-4" (51-102 mm)	4-6" (102-152 mm)	6-8" (152-203 mm)	8-10" (203-254 mm)	10-12" (254-305 mm)
Mantel height "B"	31-1/4" (794 mm)	34" (864 mm)	35" (889 mm)	36" (914 mm)	37" (940 mm)	38" (965 mm)

For fronts and trims dimensions, refer to instructions provided with the fronts and trims.

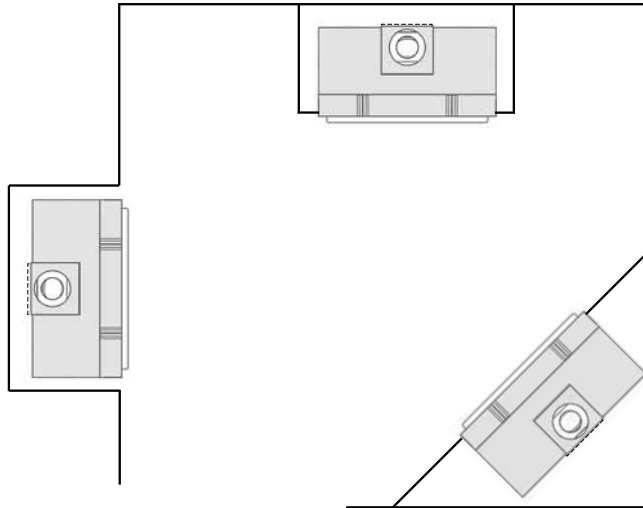
Framing

- A non-combustible hearth is not necessary in front of this appliance.
- Note that the unit is installed at the framing stage and fixed to framing using support angles. See page 20. The wall finish is then installed over the support angles up to the front frame on the unit, on the sides and up to the stand-offs on the top.

When the appliance is installed directly on carpeting, tile or other combustible material other than wood flooring, the appliance shall be installed on a metal or wood panel extending the full width and depth of the appliance.



Location



Venting

Vent Material

This unit is approved for installation using 4 by 6-5/8 inches diameter approved co-axial direct vent pipes and accessories listed on pages 38–39 of this guide. Follow the installation instructions supplied with the individual venting accessories.

This unit may also be converted to co-linear venting with two 3-inch pipes for use in solid-fuel burning fireplaces and chimneys using approved adapters and accessories listed on pages 38–39 of this guide.

Wall Thickness

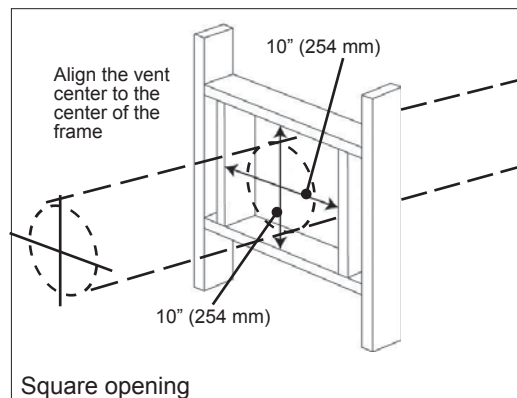
The appliance vent is suitable for penetrating a combustible wall assembly up to 14 inches in thickness. A non-combustible wall can be of any thickness up to the maximum horizontal run of vent pipe allowed for the particular installation.

Vent Penetration through Walls & Ceilings

Combustible: When penetrating through combustible walls and ceilings, frame a minimum of 10 inch by 10 inch opening and ensure that the insulation is kept clear of the vent pipe using either a wall shield or thimble or an attic insulation shield. Follow the installation instructions supplied with the individual venting components.

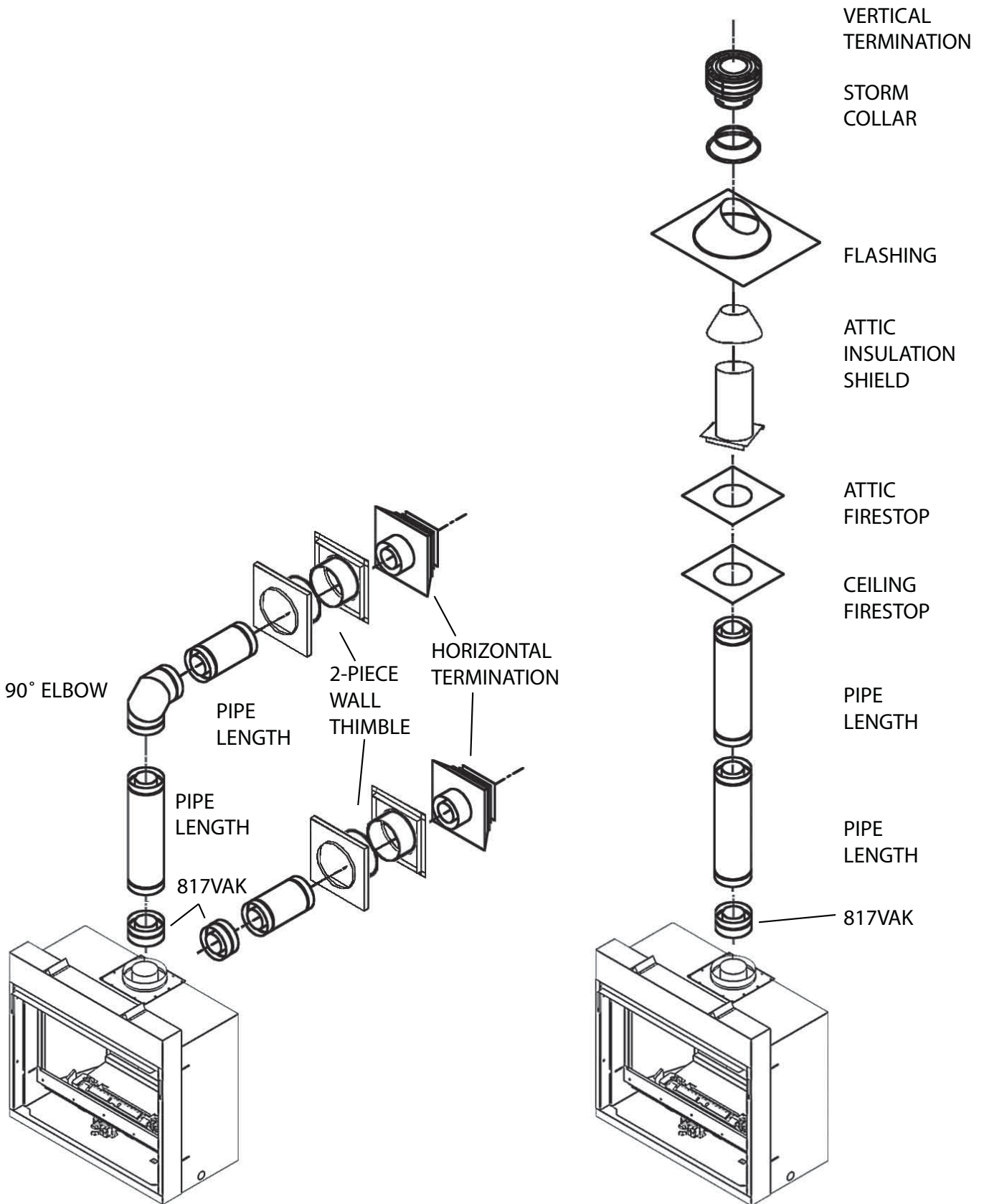
Non-combustible: If the wall is totally non-combustible (e.g. masonry block or concrete), mark for a 7 inch circular hole.

In both cases, the center of the hole should line up with the center line of the horizontal vent.



Co-Axial Venting

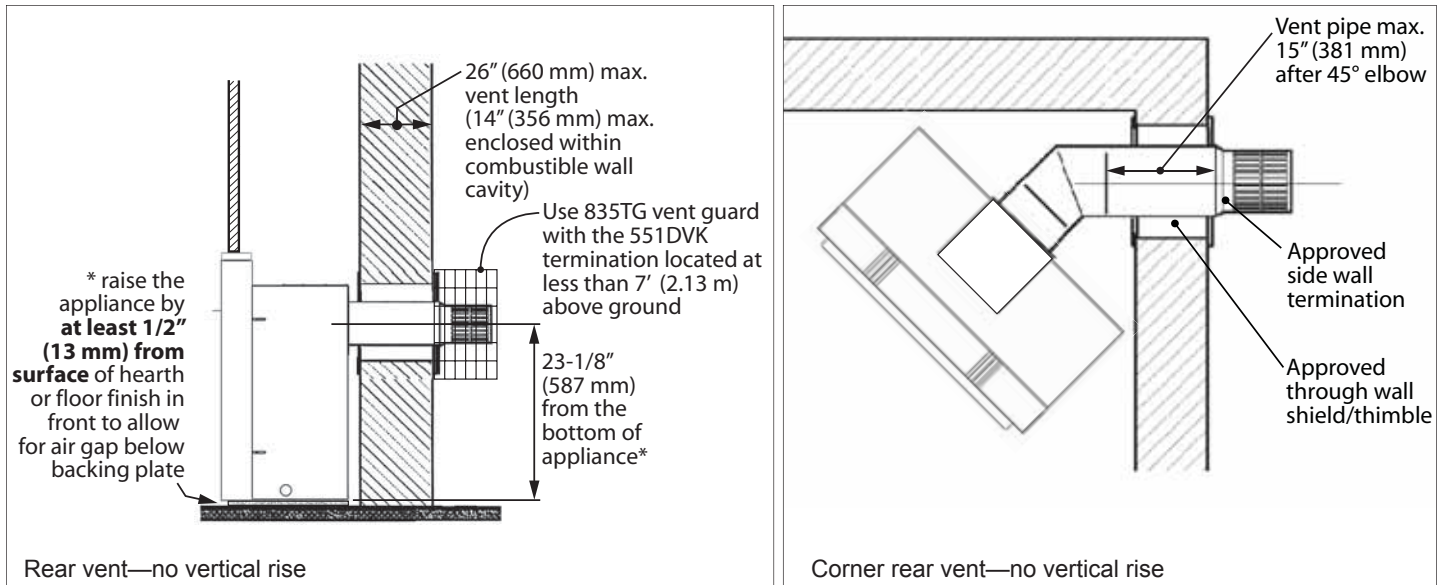
Typical Co-Axial Venting Components



Co-Axial Venting

Co-Axial Venting Rear Vent with No Vertical Rise

The horizontal vent run cannot be extended by the use of any vent accessory pipes.



Important Installer Notice – Weather Sealing & Vapor Barriers

It is the installer's responsibility to ensure that vent installations through exterior walls are caulked and weatherproofed in such a manner as to:

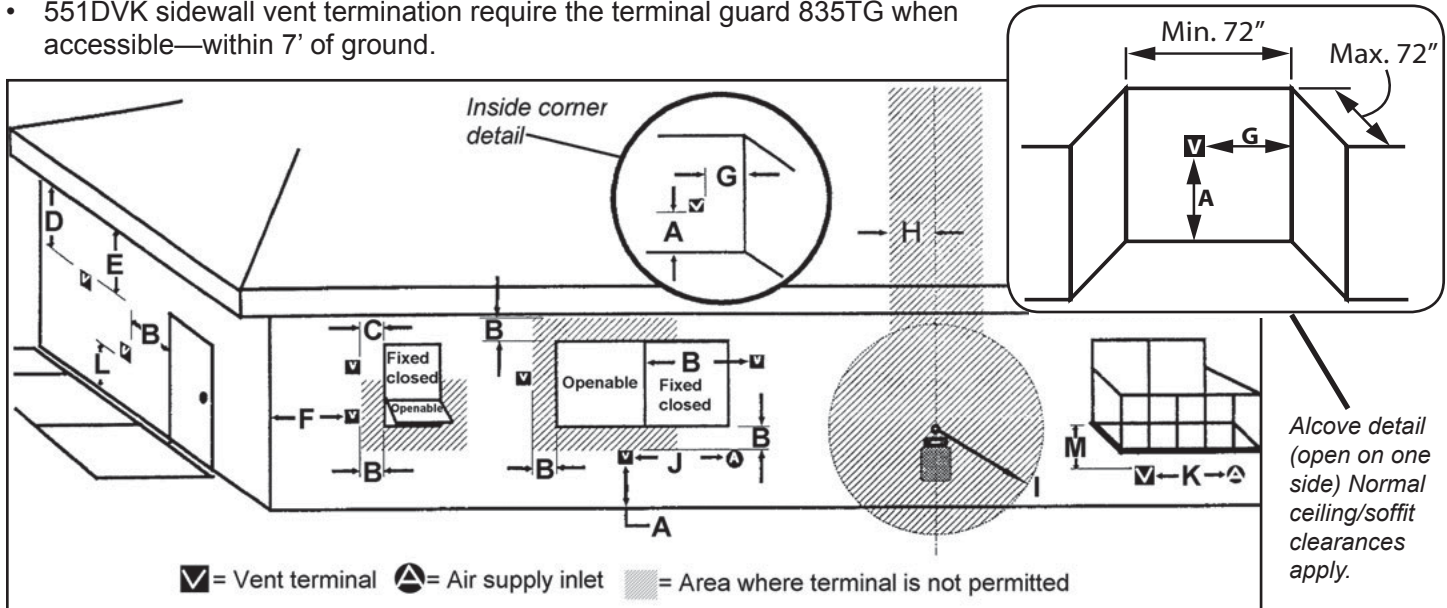
- Prevent rain water from entering the wall from the weather side by adequately caulking the outer vent plate to the exterior wall surface.
- Prevent moisture inside the home from penetrating into the wall structure by ensuring the inside wall plate is adequately sealed to the inside vapor barrier.
- Prevent rain water and moisture from entering the walls by sealing the joints between the outer vent tube and the inner and outer wall plates.

We recommend the use of a high quality polyurethane sealant.

Co-Axial Venting

Horizontal Vent Termination Location

- The vent terminal must be located on an outside wall or through the roof.
- This direct vent appliance is designed to operate when an undisturbed airflow hits the outside vent terminal from any direction.
- The minimum clearances from this terminal that must be maintained when located on an outside wall are shown in figure below. Any reduction in these clearances could result in a disruption of the airflow or a safety hazard. Local codes or regulations may require greater clearances.
- The vent terminal must not be recessed into a wall or siding.
- The vent terminal should be positioned where any snowdrifts will not cover it.
- 551DVK sidewall vent termination require the terminal guard 835TG when accessible—within 7' of ground.



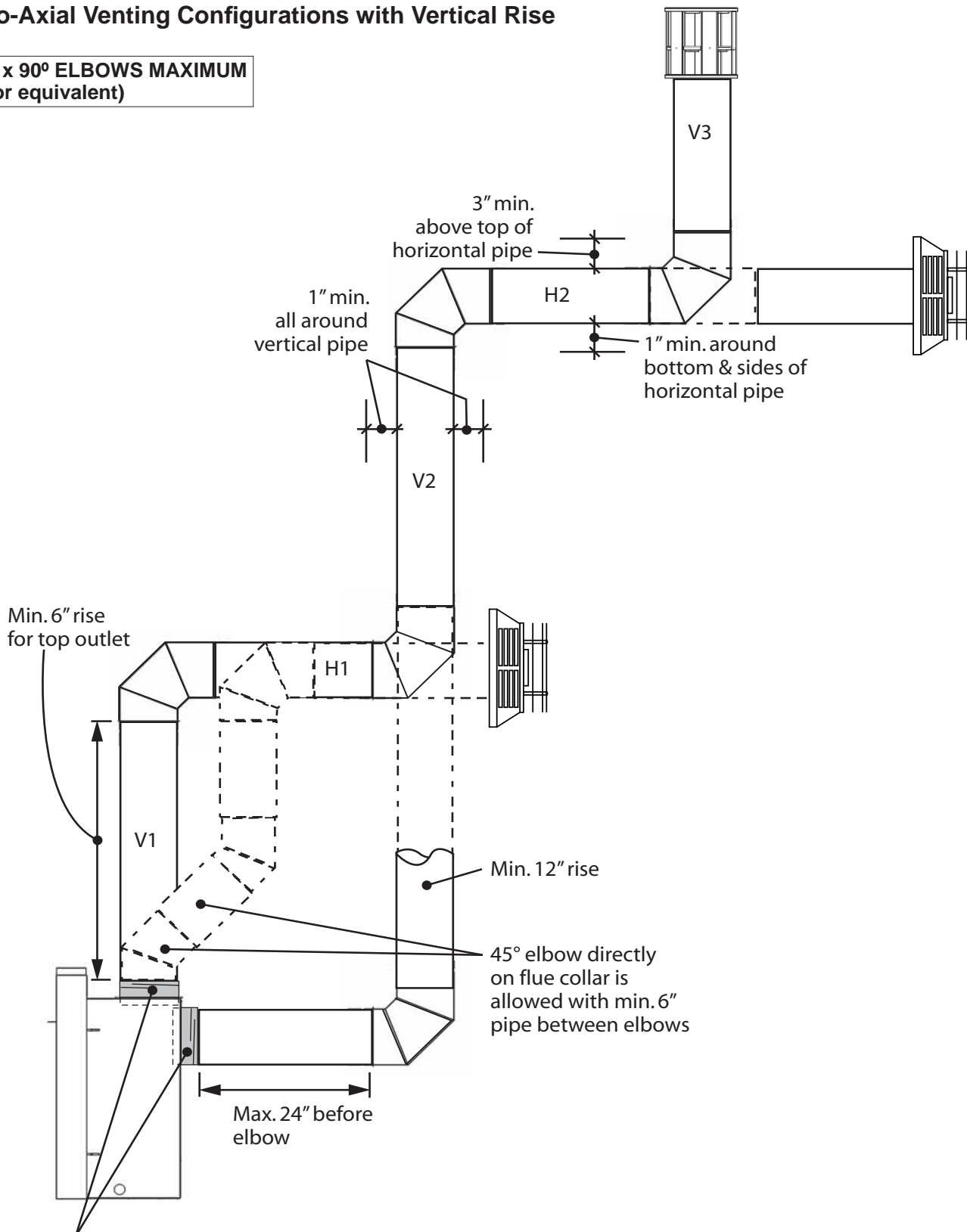
KEY	VENT TERMINAL LOCATIONS - MINIMUM DISTANCES	MINIMUM CLEARANCE	
		Inches	Cm
A	Clearance above grade, verandah, porch, deck or balcony	12	30
B	Clearance to window or door that may be opened	12	30
C	Clearance to permanently closed window (recommended to prevent condensation on window)	12	30
D	Vertical clearance to ventilated soffit located above the terminal within a horizontal distance of 2 feet (60 cm) from the center-line of the terminal	18	46
E	Clearance to unventilated soffit	12	30
F	Clearance to outside corner	12	30
G	Clearance to inside corner	12	30
H	Horizontal clearance to center-line of meter/regulator assembly located within 15 feet (4,6 m) below the terminal	36	90
I	Clearance to service regulator vent outlet	36	90
J	Clearance to non-mechanical air supply inlet to the building or the combustion air inlet to any other appliance	12	30
K	Clearance to a mechanical air supply inlet	72	180
L	Clearance above paved sidewalk or a paved driveway located on public property Note: A vent must not terminate directly above a sidewalk or paved driveway, which is located between two single-family dwellings and serves both dwellings	84	210
M	Clearance under a verandah, porch, deck or balcony Only permitted if veranda, porch, deck or balcony is fully open on a minimum of 2 sides beneath the floor	12	30

Note: Local codes and regulations may require different clearances.

Co-Axial Venting

Co-Axial Venting Configurations with Vertical Rise

4 x 90° ELBOWS MAXIMUM
(or equivalent)



817VAK adapter:
required for top outlet;
required for rear outlet **except**
when connecting the 551DVK
terminal directly to the appliance.

Example 1

$$V \text{ Value} = V1 (6') + V2 (6') + V3 (2') = 14'$$

$$H \text{ Value} = H1 (3') + H2 (3') = 6'$$

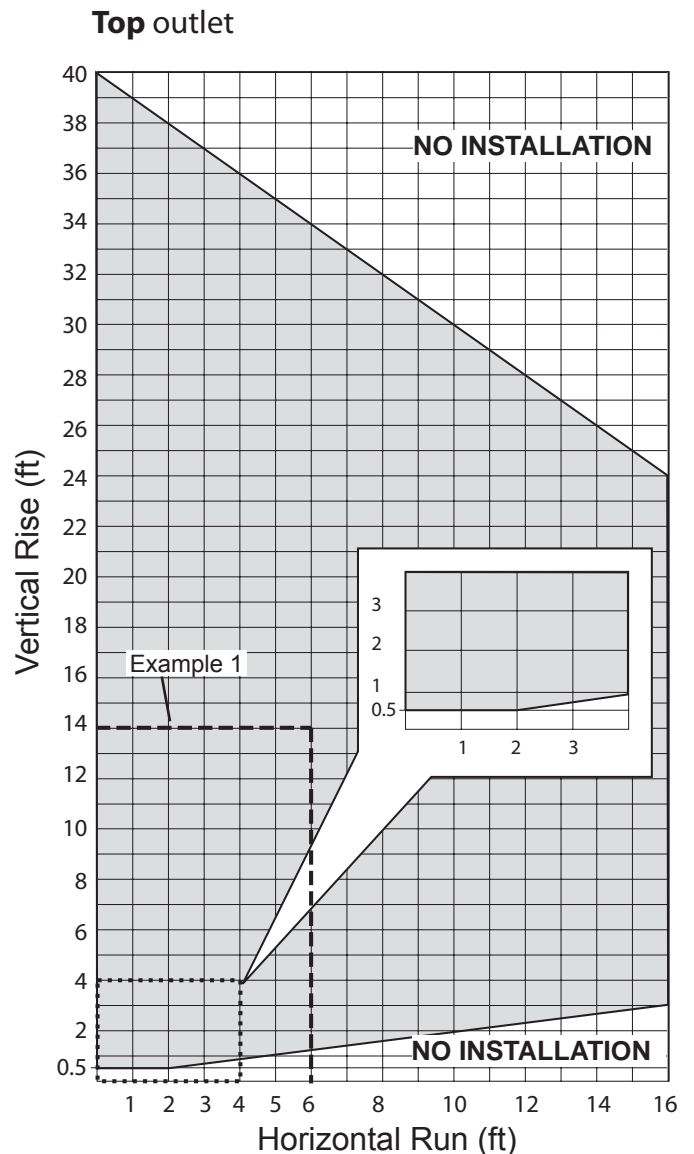
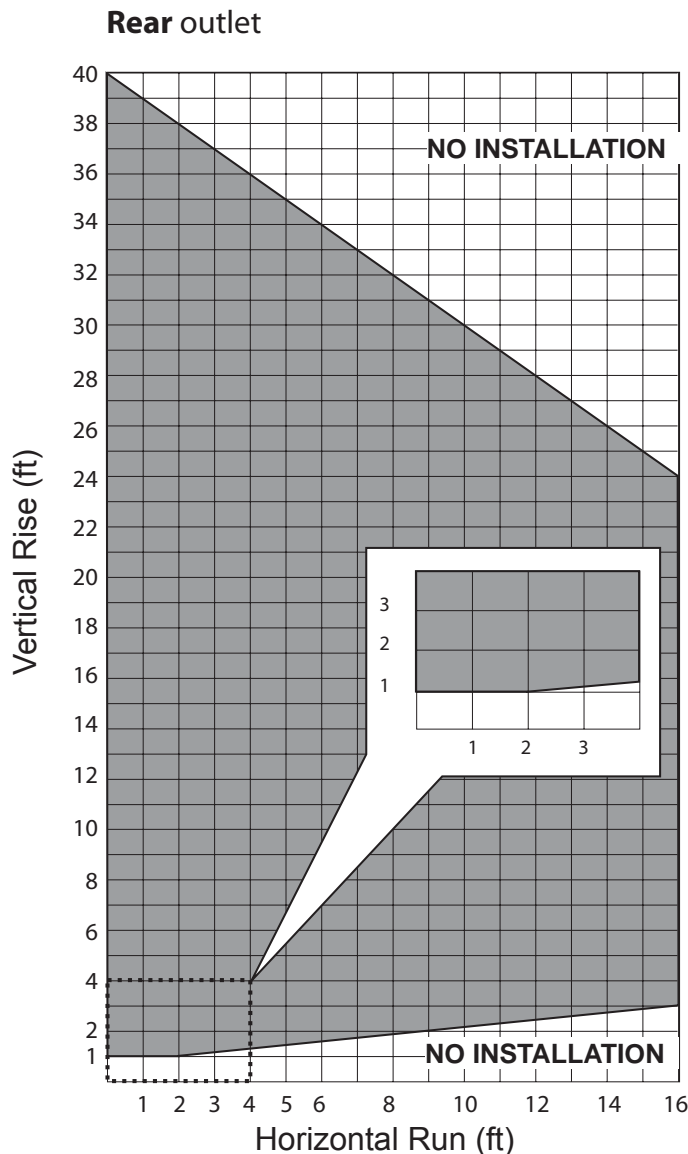
Co-Axial Venting

How to Read the Venting Chart

The chart below applies to co-axial roof or wall termination in installations with vertical rise. See page 13 for installations with no vertical rise.

1. The total length of the vent pipe cannot exceed 40 feet (12.2 m).
2. The minimum vertical height with roof termination is 10 feet (3.05 m).
3. Any combination of rise and run can be used as long as they are within the allowable limits shown on the chart below.
4. A maximum of four 90 degrees elbows—or equivalent (2 x 45 degrees = 90 degrees)—can be used.
5. Each 90 degrees elbow installed on the horizontal plane is equivalent to a 3 feet horizontal pipe; therefore, 3 feet must be subtracted from allowable horizontal run. (45 degrees elbow is equivalent to 18 inches horizontal pipe.)
6. All horizontal pipe runs must be graded 1/4 inch per foot upwards in the direction of the exhaust flow. The final pipe length, when terminating through the wall may be graded downwards slightly to prevent water migration.
7. Maximum co-linear venting is 40 feet (12.2 m).
8. A restrictor is required for all installations—see section *Appliance Preparation* section for more information.

Venting Chart—Allowable Co-Axial Vent Configurations with Vertical Rise



Co-Axial Venting

Co-Axial Vertical Installations

- Check the roof pitch to determine which roof flashing will be needed. See venting accessories list on pages 38–39 for allowable components.
- The distance from the roof to the lowest terminal discharge opening (“H” in figure) depends on the roof pitch and must be in accordance with the manufacturer’s instructions supplied with the termination unit.

*Note: The venting system for these appliances is considered to be a **Special Venting System**. The rule in the Installation Code requiring a minimum vent height of 2 feet above any portion of a building within 10 feet does not therefore apply.*

- The minimum clearances to combustible materials all round the vent pipes must be in accordance with the dimensions shown in the *Co-Axial Venting* section of this manual.
- Drop a plumb from the ceiling to the center of the appliance vent opening. Mark the position on the ceiling. Drill a small hole at the marked position.
- Determine the position where the vent will pass through the roof. If directly above the position where it penetrates the ceiling, drop a plumb from the roof to the small hole in the ceiling and mark the roof at this spot.

If rafters or other obstructions will prevent a vertical exit or if clear attic space is desired, the roof outlet can be offset using 45 degree elbows. Drill a small hole at the marked position.

- A ceiling firestop must be installed at the second floor and higher floors.

A ceiling support should be used below the flat ceiling.

To install the firestop and support, cut and frame a 10 inches (254 mm) square hole centered on the small hole previously drilled.

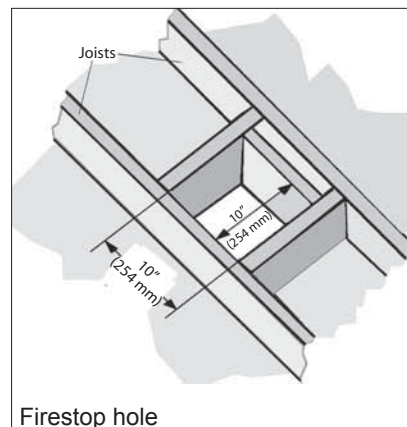
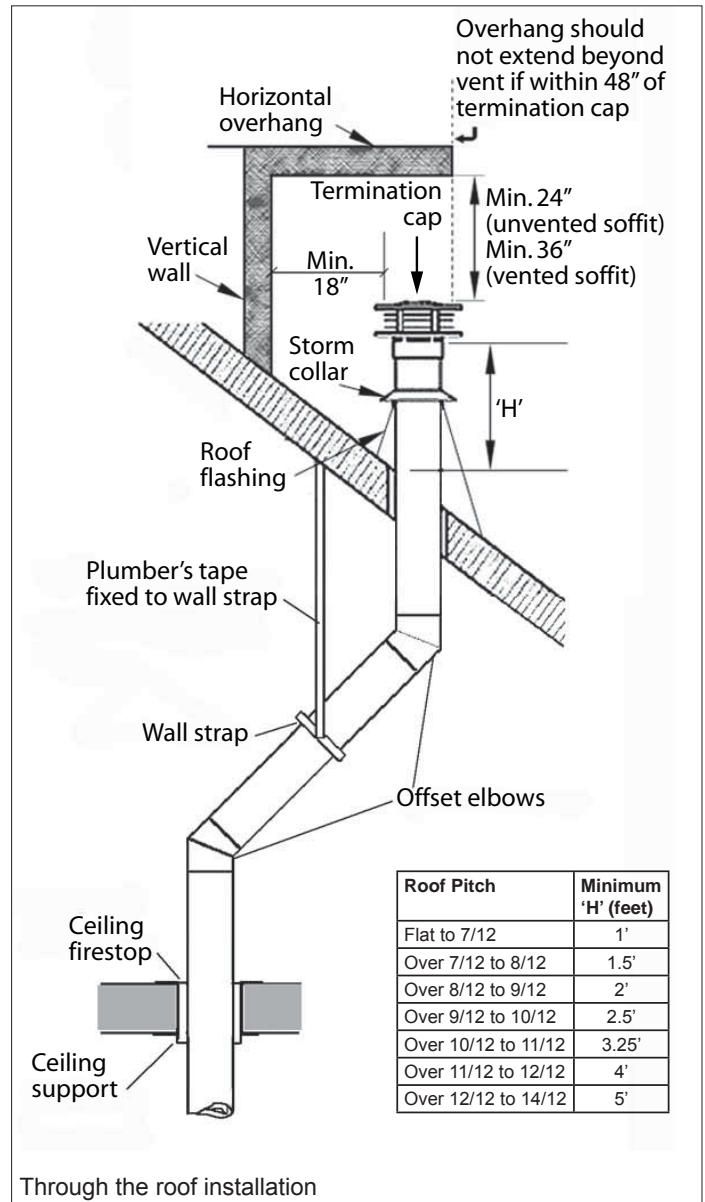
- Fit vent accessory elbows and pipe lengths as required up through ceiling support boxes and firestops.

If installation includes offset, support the offsetting pipes every 3 feet (1 m) with wall straps as shown.

- Cut a hole in the roof centered on the small hole. The hole must allow for the minimum clearances to combustible materials. See *Venting* section in this manual.

- Fit pipe lengths through the roof. Fit roof flashing securing it with roofing nails.

- Fit storm collar and termination cap.



Co-Linear Venting

Co-Linear Vent Installations

- The fireplace dimensions are shown in the *Dimensions* section of this manual.
- Place the appliance (fitted with the co-linear adapter) near the fireplace opening but allow space for manipulating the chimney liners on to the appliance.
- Drop the 3-inch diameter flexible liners into the chimney from outside.
- Fit the liners to the co-linear adapter paying attention to inlet and exhaust and move the appliance to its proper position. Be aware of the minimum liver bend radius and maximum liner horizontal run shown on page 14 of this manual.
- Fit the termination kit and flashing to the exterior of the chimney.

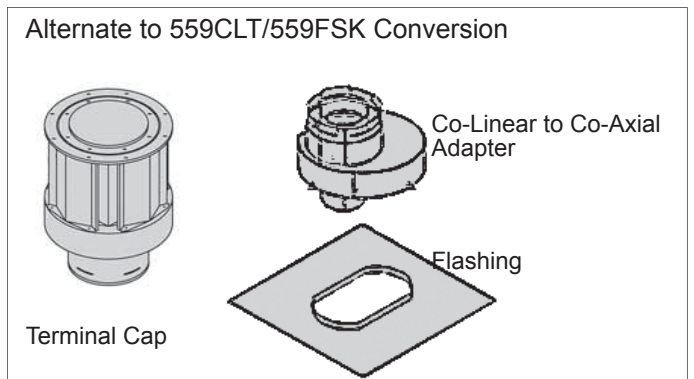
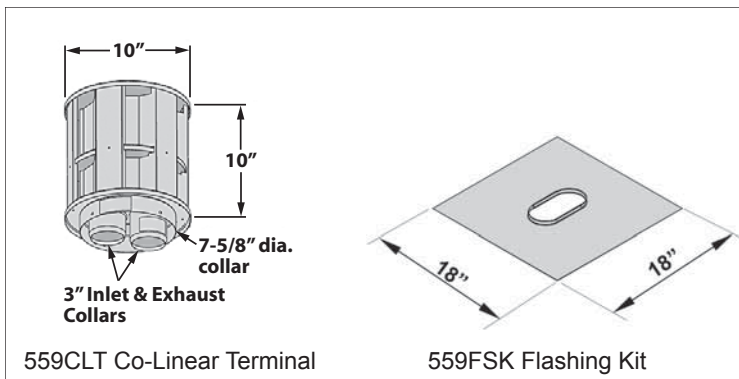
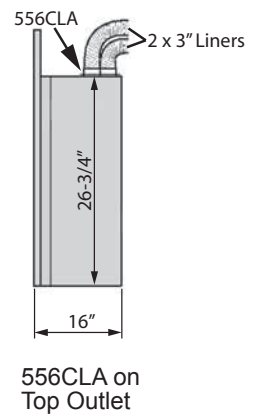
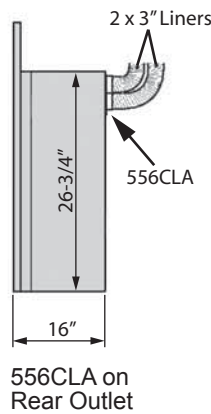
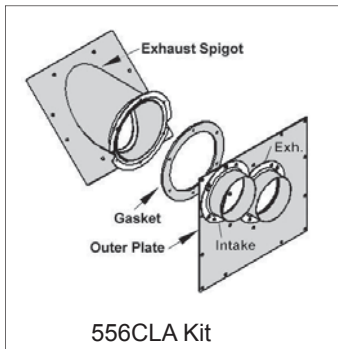
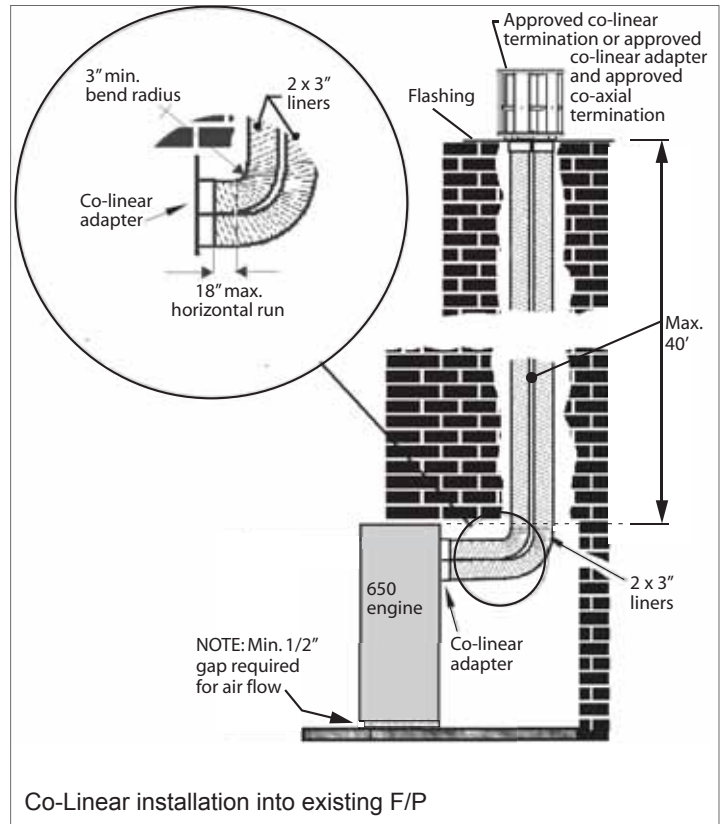
Secure the appliance to the floor or wall if necessary.

Rear or Top Outlet Conversion to Co-Linear Liners using Valor 556CLA Co-Linear Adapter. (Generic co-axial to co-linear adapter boxes may also be used as an alternate to the 556CLA).

Only for use when retrofitting a solid-fuel burning fireplace and chimney.

The appliance must not be connected to a chimney flue serving a separate solid-fuel burning appliance.

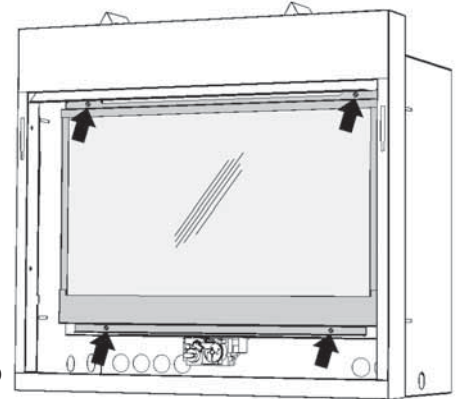
Requires 556CLA Co-Axial to Co-Linear Appliance Adapter (or, alternatively, a generic adapter), two lengths of 3-inch diameter flexible chimney liner, co-linear termination kit and flashing and either high wind vertical vent terminal cap or a low profile vertical termination.



Appliance Preparation

Window Removal

1. Turn the top two spring-loaded window bolts through 90 degrees to release the window from the firebox.
2. Remove the bottom two spring-loaded window bolts.
3. Carefully lift the window away. Keep the window and bolts in a safe place.

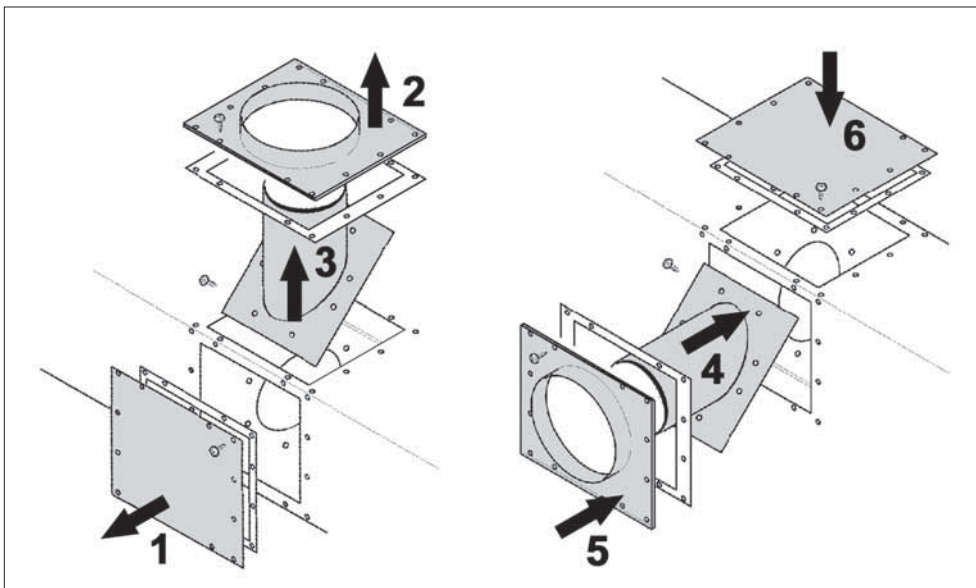


Rear Vent Outlet Positioning

If installing with top vent outlet, ignore this stage.

If installing co-linear venting, see instructions supplied with the co-linear adapter.

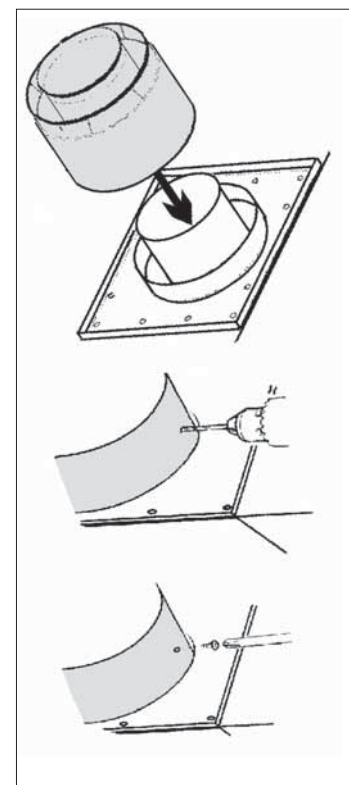
1. Remove the rear outlet cover plate and seal by unscrewing 12 screws. Keep the seal and plate for fitting to the top.
2. Remove the top outer vent collar and seal by unscrewing 12 screws.
3. Remove the top inner vent collar and seal by unscrewing 8 screws.
4. Locate the inner collar and seal inside the rear outlet opening. Secure the inner collar with 8 screws.
5. Fit the outer collar over inner collar. Loosely fit the 12 screws. Place the adapter 817VAK or Valor terminal kit 551DVK over the collars to check alignment. Tighten the 12 screws to secure the outer collar.
6. Fit the cover plate and seal (removed from the rear) to the top vent opening with 12 screws.



817VAK Vent Adapter Fitting

If rear venting with Valor terminal unit 551DVK, ignore this stage.

1. Fit the adapter 817VAK over the appliance vent collars pushing on firmly.
2. For rear vent outlet connection, align the adapter so that the seam on horizontal pipes is not at the bottom—check by temporarily fitting a pipe.
3. Drill through the adapter outer tube and appliance outer collar for no. 6 screws. *Make sure that the drill does not penetrate the inner tubes.*
4. Secure the adapter to the outer collar with two no. 6 thread-cutting screws supplied.

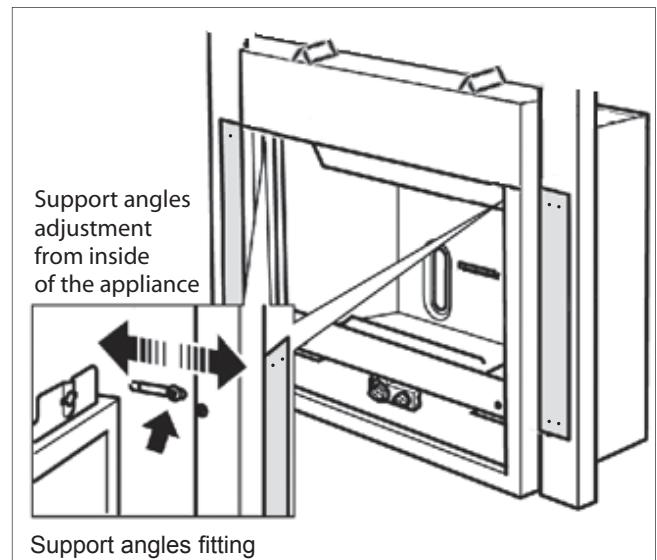
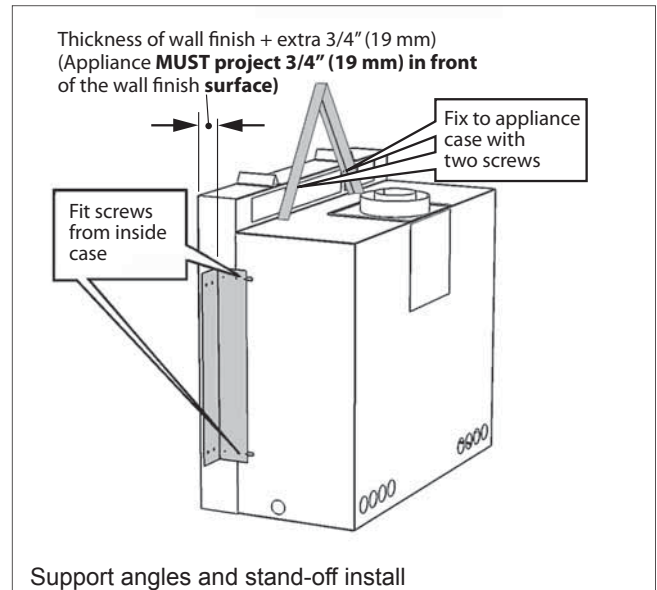
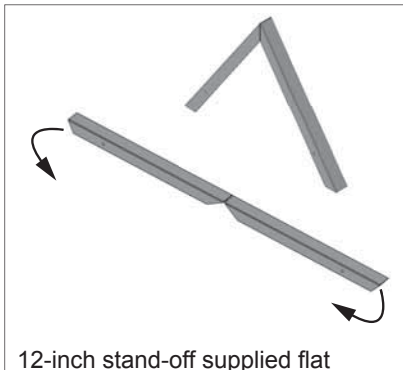


Appliance Preparation

Stand-off and Support Angles Installation and Fitting

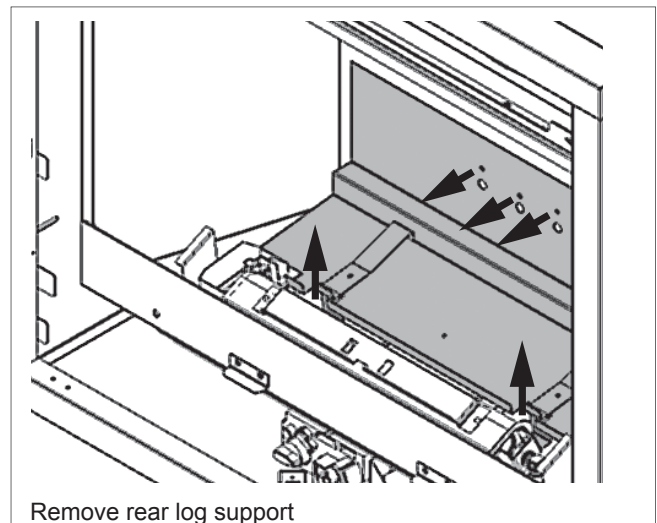
The distance from the support angles to the front face of the heater case is adjustable to allow for a range of wall finish material thickness (e.g. tile, etc.).

1. Check the wall finish requirements with the homeowner.
2. Secure the side support angles from the inside of the appliance using two screws provided. Set back the support angles from the front of the appliance by the thickness of the wall finish + 3/4" (19 mm) for projection.
3. Remove two screws from the rear of the appliance's frame top.
4. Bend the 12-inch stand-off and fix it to the appliance case with the two screws just removed as indicated.
5. Place the appliance in position in the framing.
6. Secure the appliance to the studs.
Note: The support angles screws may be loosened later from the inside of the appliance to make final adjustments.



Rear Log Support Removal

Remove the rear log support to access to the rear orifices for restrictors installation (5 screws).



Appliance Preparation

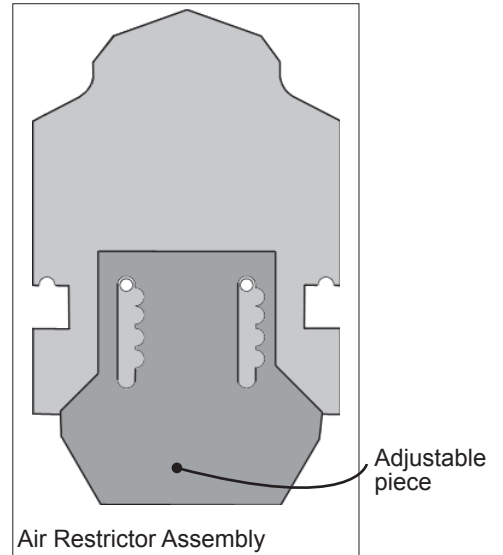
Air Restrictors Fitting

No restrictors are required for appliances which only have a horizontal vent run. If installing an appliance which has a rear vent outlet connection and no vertical vent pipe rise, ignore this stage.

A restrictor set, shown right, is supplied with each 650 engine unit. The restrictors cover part of the inlet air openings in the firebox rear wall behind the rear log support.

The restrictor is assembled with an adjustable piece which can be moved to different positions depending of the vent configuration. See the table below to find out which position is optimal for each type of installation.

- To fit the restrictors, loosen the two center screws of the left and right inlet ports. Place the restrictor assembly under the screw heads and tighten the center screws.
- To set the adjustable restrictor piece, loosen the two screws, position the adjustable piece according to the diagram below and tighten the screws.



Vent terminal	Appliance vent outlet	Vertical vent pipe run	Use restrictor setting
Horizontal through wall with vertical rise	Top	Less than 3' (91 cm) to 6' (183 cm)	
		From 6' (1.83 m) to 20' (6.1 m)	
		From 20' (6.1 m) to 40' (12.2 m)	

Vent terminal	Appliance vent outlet	Vertical vent pipe run	Use restrictor setting
Horizontal through wall with vertical rise	Rear	Less than 3'6" (107 cm) to 6' (183 cm)	
		From 6' (1.83 m) to 20' (6.1 m)	
		From 20' (6.1 m) to 40' (12.2 m)	

Vent terminal	Appliance vent outlet	Vertical vent pipe run	Use restrictor setting
Vertical through roof	Top or rear	Less than 20' (6.1 m)	
		From 20' (6.1 m) to 40' (12.2 m)	

Rear Log Support Refitting

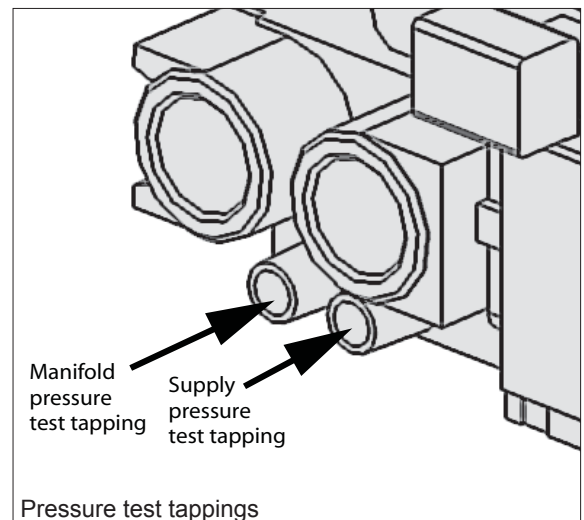
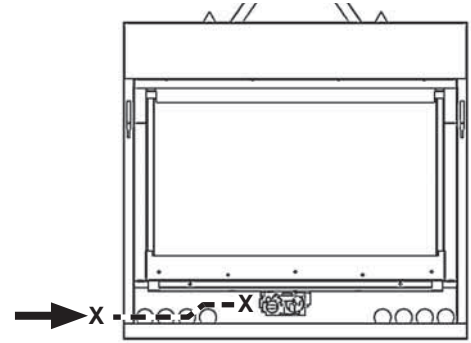
Refit the rear log support in place (5 screws).

Gas Supply Installation

- The gas supply pipe should enter the appliance case through the opening at the left side. The supply pipe should be connected to the appliance gas inlet pipe situated at the left side of the control valve. Supply line connection to the inlet pipe is 3/8 inch NPT (female).

If the circulating fan is to be installed, be aware that the supply pipe run inside the case should be at the same height as the appliance inlet pipe in order to clear the fan. If intending to fit an internal isolating valve, check that it will be clear of the fan.

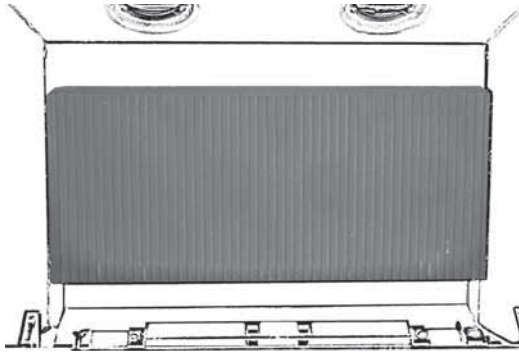
- Use only new black iron or steel pipes or copper tubing if acceptable—check local codes. **Note that in USA, copper tubing must be internally tinned for protection against sulfur compounds.**
- Unions in gas lines should be of ground joint type.
- The gas supply line must be sized and installed to provide a supply of gas sufficient to meet the maximum demand of the appliance without undue loss of pressure.
- Sealant used must be resistant to the action of all gas constituents including propane gas. Sealant should be applied lightly to male threads to ensure excess sealant does not enter gas lines.
- The supply line should include a *manual shut-off valve* to allow the appliance to be disconnected for servicing.
- A plugged 1/8 inch NPT tapping must be installed in the line. The tapping must be accessible for test gauge connection and be immediately upstream of the gas supply connection to the appliance.
- Pressure test the supply line for leaks.
 - » The appliance and its individual shut-off valve must be disconnected from the gas supply piping system during any pressure testing of that system at test pressures in excess of 1/2 psig (3.5kPa).
 - » The appliance must be isolated from the gas supply piping system by closing its individual manual shut-off valve during any pressure testing of the gas supply piping system at test pressures equal to or less than 1/2 psig (3.5kPa).
 - » Failure to either disconnect or isolate the appliance during pressure testing may result in regulator or valve damage. Consult your dealer in this case.
- The minimum supply pressure is given in the *Specifications* section of this manual.
- All piping and connections must be tested for leaks after installation or servicing. All leaks must be corrected immediately.
- When testing for leaks:
 - » Make sure that the appliance is turned off.
 - » Open the manual shut-off valve.
 - » Test for leaks by applying a liquid detergent or soap solution to all joints. Bubbles forming indicate a gas leak. **Never use an open flame to check for leaks.**
 - » Correct any leak detected immediately.
- The pressure test tapping locations are shown on the right. A built-in non-adjustable regulator controls the burner manifold pressure. The correct pressure range is shown in the table in *Specifications* section of this manual. The pressure check should be made with the burner alight and at its highest setting. See *Lighting Instructions* section for full operating details.



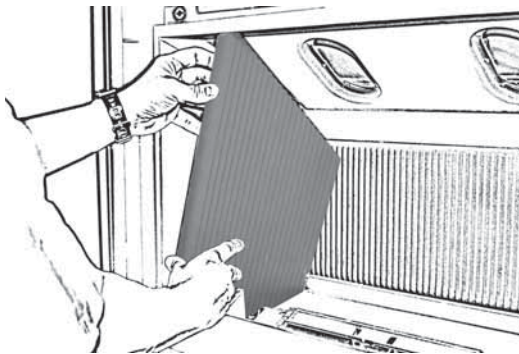
Liner Panels Installation

All liner panels can be installed as indicated below. Unpack the liners carefully to avoid scratching or damaging them.

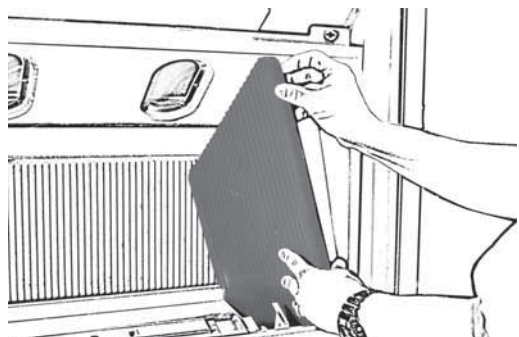
1. Place the rear panel against the back of the firebox on the ledge of the rear log support. Make sure the bevel part is at the top.



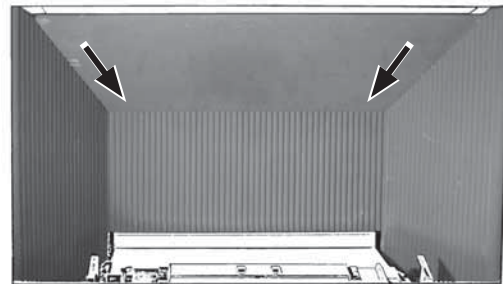
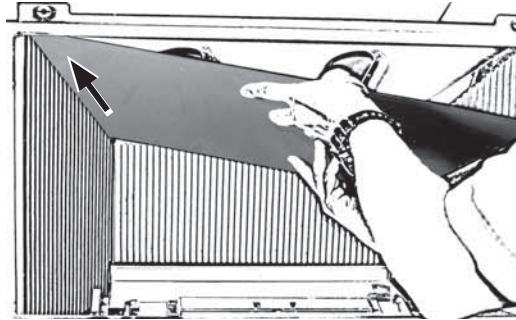
2. Hold the left hand side panel at an angle and insert its bottom edge inside the firebox. Rotate the panel to a vertical position ensuring that the top edge is behind the flange of the firebox. Pull the panel as forward as possible against the left edge of the firebox.



3. Hold the right hand side panel at an angle and insert its bottom edge inside the firebox. Rotate the panel to a vertical position ensuring that the top edge is behind the flange of the firebox. Pull the panel as forward as possible against the right edge of the firebox.



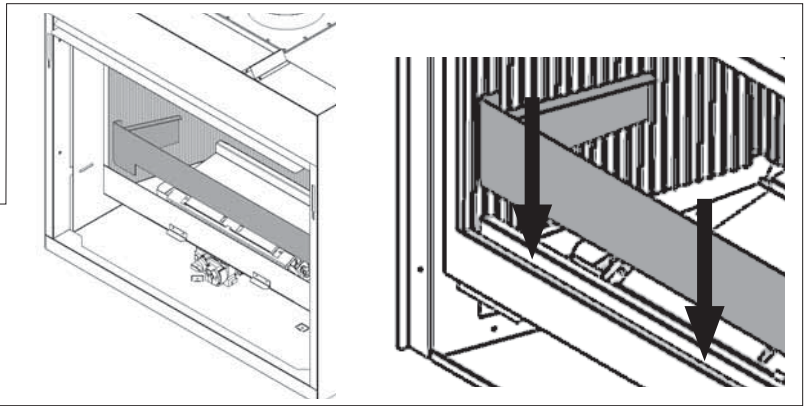
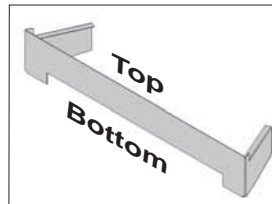
4. Insert the top panel over the left side panel while holding the top panel forward up the slope. Rotate the right side of the top panel upwards and place it over the top of the right panel. Slide the top panel down the slope of the firebox as far as possible to close the gap with the rear panel and to maximize the gap above the front edge of the top panel.



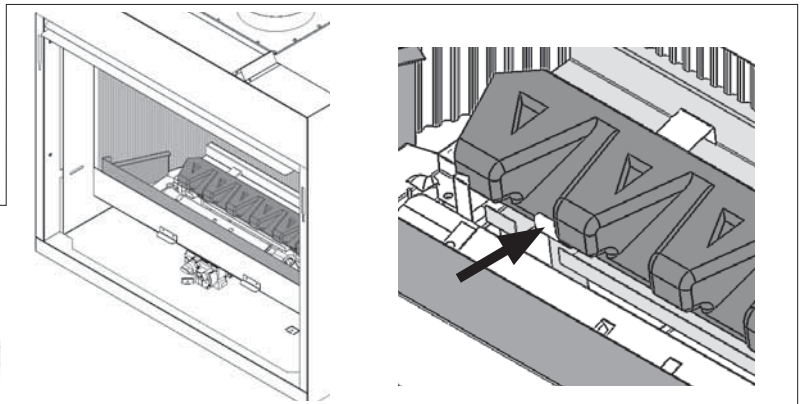
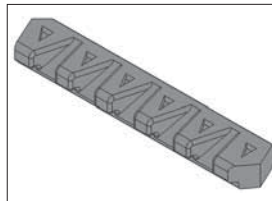
Ceramic Rocks Installation

Unpack the ceramic rocks kit very carefully to avoid damaging the fragile material. Install the components as shown below. Please note that **the position of the rocks and twigs (if used) is critical to ensure proper performance of the appliance.**

1. Install the Front Support Platform in the firebox carefully sliding it down between the burner and the front bottom edge for the firebox while avoiding scraping the side ceramic panels.

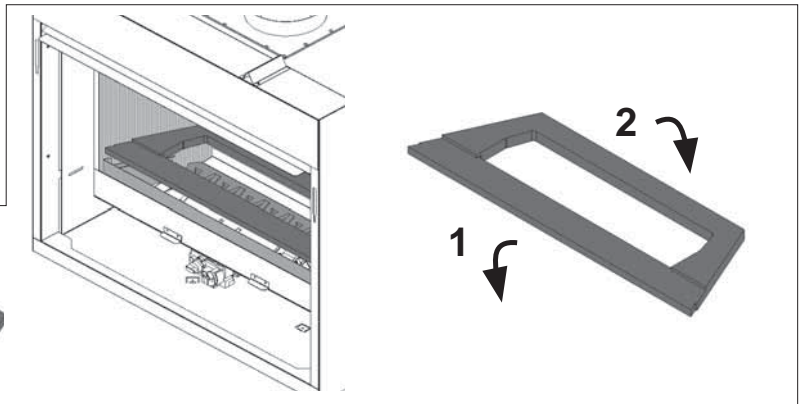


2. Place the rock ceramic base on the log support behind the burner. The front bottom of the base must rest against the vertical tab of the spacer brackets.

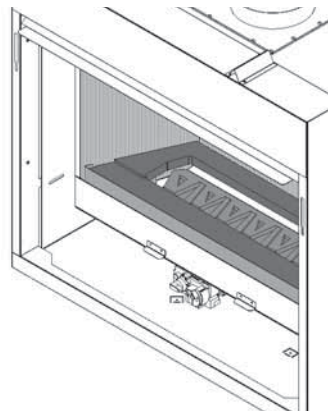


3. Install the ceramic platform in the firebox rotating down to insert the front first behind the Front Support. Lay the back of the ceramic platform against the rear ceramic panel again being careful not to scrape the ceramic panels.

Warning: This platform is quite fragile. DO NOT force it in place.



Fuel Bed Base Installed

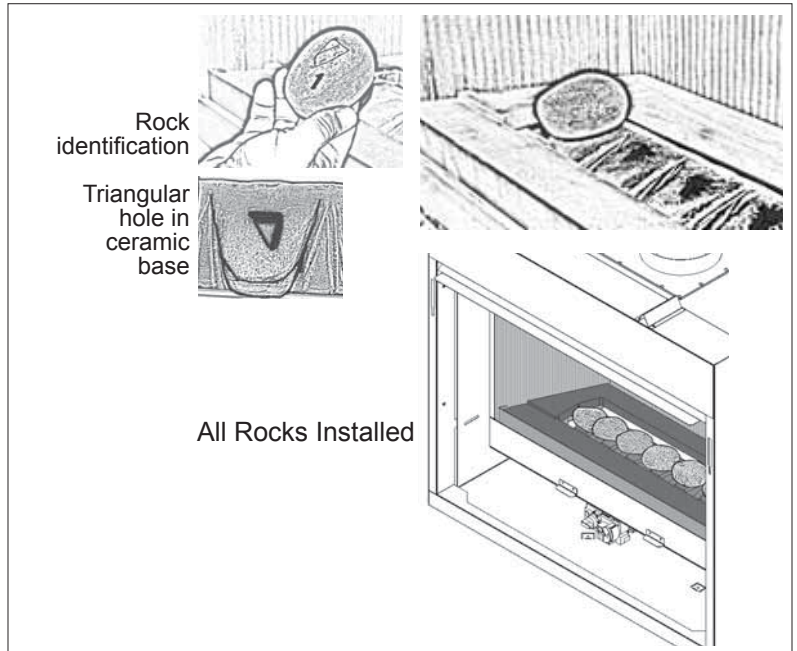


Ceramic Rocks installation

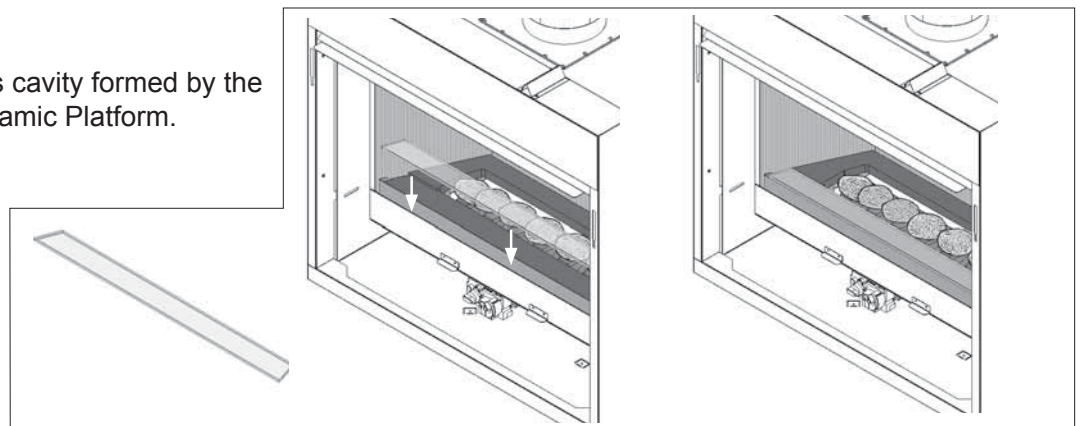
4. The underside of each ceramic rock is identified by a number and a specific protruding positioning triangle.

Install the six rocks from left to right starting with rock no. 1.

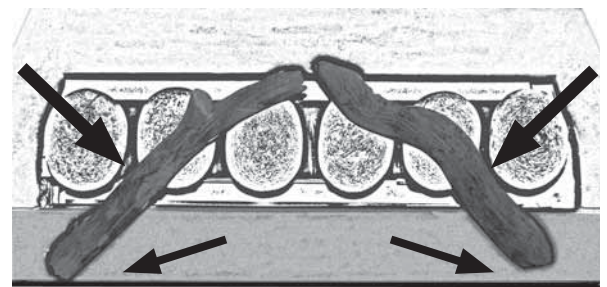
Note: The ceramic base may need to be slightly adjusted side-to-side to allow stones to fit within the platform.



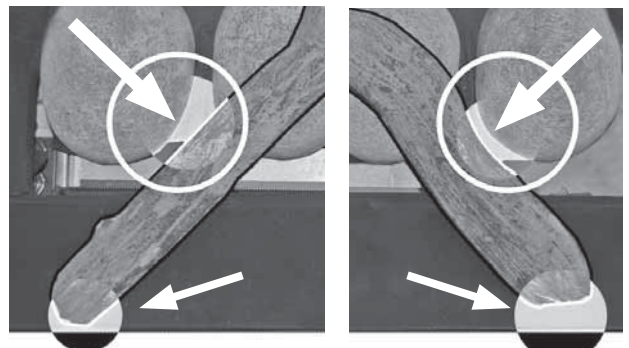
5. Place the glass panel in its cavity formed by the Front Support and the Ceramic Platform.



6. Place the left twig across the second and third rocks from the **left**; rest its end on the glass near the edge of the platform as shown. **Make sure to leave a gap between the twig and the first rock to allow flame to come up between the twig and the rock.**

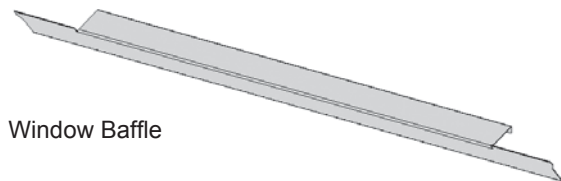
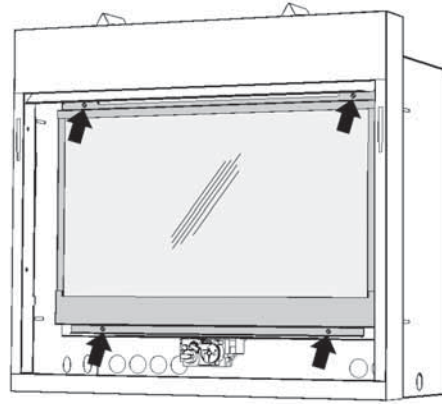


7. Place the right twig across the second and third rocks from the **right**; rest its end on the glass about 1 cm from the edge of the platform as shown. **Make sure to leave a gap between the twig and the first rock to allow flame to come up between the twig and the rock.**

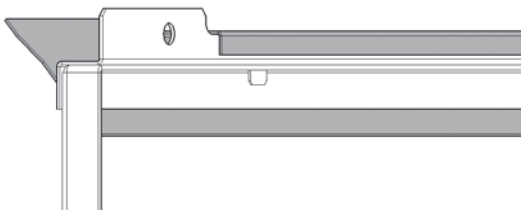


Window Refitting & Baffle Installation

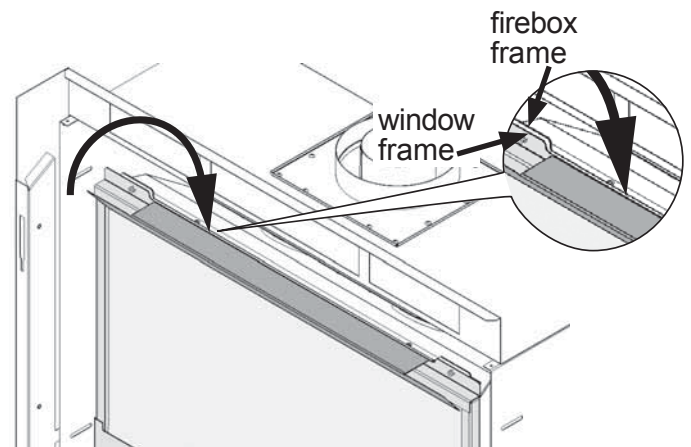
1. Slide the window inside the appliance case and rest it on the firebox front bottom tabs. Refit the bottom two bolts. The bolts should be screwed in securely.
2. Refit the top two bolts securing by turning them through 90 degrees.
3. Hook the window baffle to the top of the window frame. *Be careful not to hook it onto the firebox frame—see images below.*
4. Grab the top of the window and baffle and pull them forward and release to check that the window opens slightly and returns confirming the good function of the spring-loaded mechanism.
5. Similarly check the bottom of the window by pulling it forward and releasing.



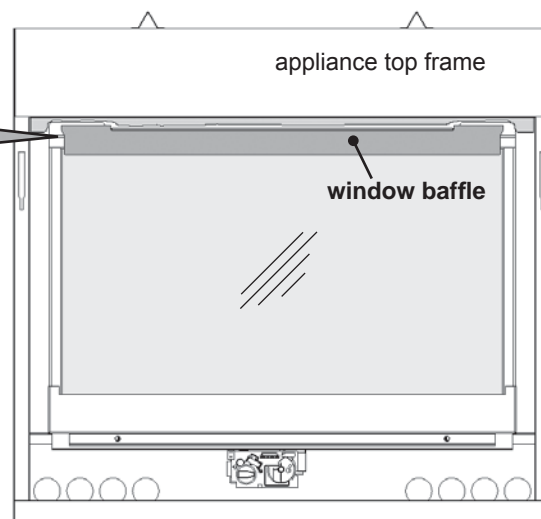
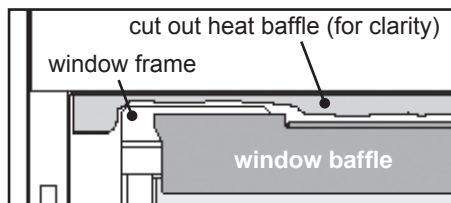
Window Baffle



Rear view detail—window assembly with window baffle hooked on frame



(appliance shown without its front frame and baffles for clarity)



Appliance front view

Wall Switch Kit Installation

CAUTION

DO NOT PUT BATTERIES IN THE REMOTE CONTROL RECEIVER until the wires are connected to the burner control unit as short-circuit could result in the destruction of the electrical components.

The wall switch kit is connected to the receiver in the fireplace. The receiver is located left of the control valve under the burner module.

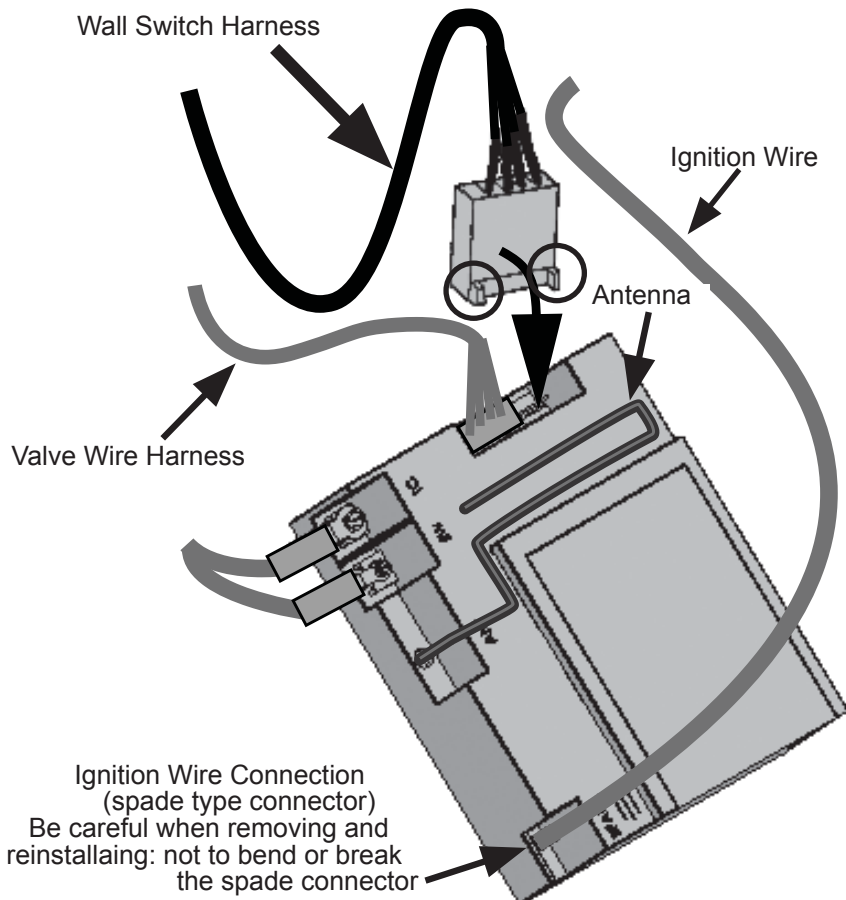
1. Decide where the switch is to be installed. Install an electrical outlet box (not supplied).
2. Thread the switch wire through an access hole in the appliance.

CAUTION

Do not run the switch wire over the top of the firebox. Route the wire so it does not contact the firebox.

3. Pull out the receiver box. **Remove the batteries from the receiver box if it contains any.** You can remove the ignition wire to improve access to the receiver.

4. Take the switch wire and plug it into the receiver's connection slot as indicated (the other slot should already be fitted with the valve's wire harness connector). See diagrams below.
IMPORTANT: The connection can only be done one way. Do not force it or damage the pins!
5. On the outside of the fireplace, run the switch wire into the outlet box.
6. Plug the wire into the switch plate and to the outlet box.
7. Reconnect the ignition wire to the receiver if it was previously removed.
IMPORTANT: Make sure the ignition wire DOES NOT TOUCH the receiver's antenna.
8. Insert 4 AA batteries in the receiver. Replace the cover.
9. Test the operation of the wall switch.
10. Fix the wall cover plate to the outlet box.
11. Replace the receiver in its position and as well as the antenna if deployed.
IMPORTANT: The antenna MUST NOT TOUCH the ignition wire.



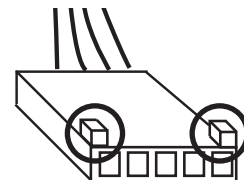
CAUTION

DO NOT USE a screwdriver or other metallic object to remove the batteries from the receiver or the handset! This could cause a short circuit to the receiver.

CAUTION

To avoid short-circuit to the receiver, position the **antenna** so that it **DOES NOT TOUCH the ignition wire.**


IMPORTANT: The connection can only be done one way.



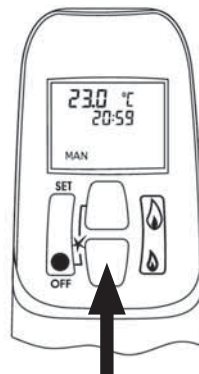
Do not force it or damage the pins on the receiver box!

Remote Control Initial Set-up

The receiver and the handset of the remote control system must be initially synchronized before the first use.

1. Insert alkaline batteries in the remote control receiver and handset. The receiver is located left of the control valve under the burner module.
2. With a sharp object, press and hold the receiver's reset button until you hear one short and one long beeps. Release the reset button after the second beep.
3. Within the subsequent 20 seconds, press the small flame button () on the remote handset until you hear two short beeps confirming the synchronization is set.

This is a one time setting only and is not required when changing the batteries in the remote receiver. The remote control system is now ready to use.



Operation Check & Aeration Settings Adjustment

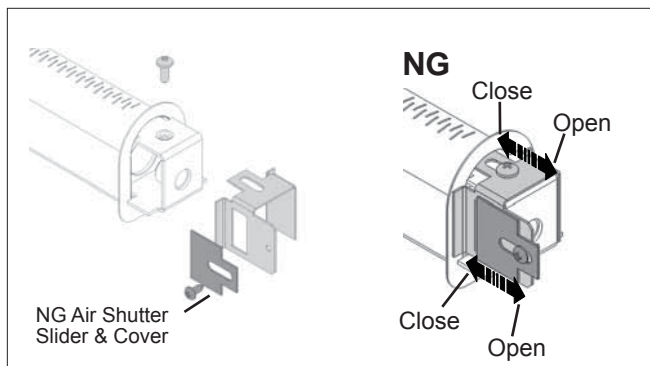
Operation Check

Turn the fireplace flame up and down using the remote control to confirm that the full range of inputs is achieved—see the remote control operation instructions on pages 32–35.

Aeration Settings

Light the fire and allow the unit to warm up for 10–15 minutes to evaluate the flame picture. Burners are equipped with an adjustable shutter to control primary aeration. See the figures below. The shutter is factory-set to an aeration gap which will give optimum performance for the vast majority of installations.

Air Shutter

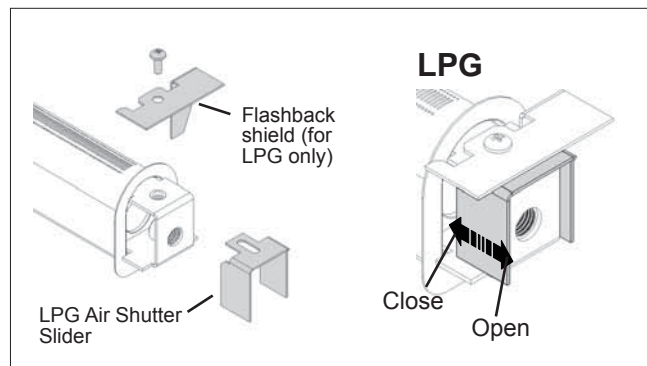


In a few unusual installations, the flame picture may be improved by adjusting the aeration. The need for adjustment should be determined only by operating the appliance with the ceramic rocks and window installed.

Increasing aeration will cause the flames to appear more transparent and blue showing more ceramic rock glow.

Decreasing aeration will cause the flames to appear more yellow or orange showing less ceramic rock glow.

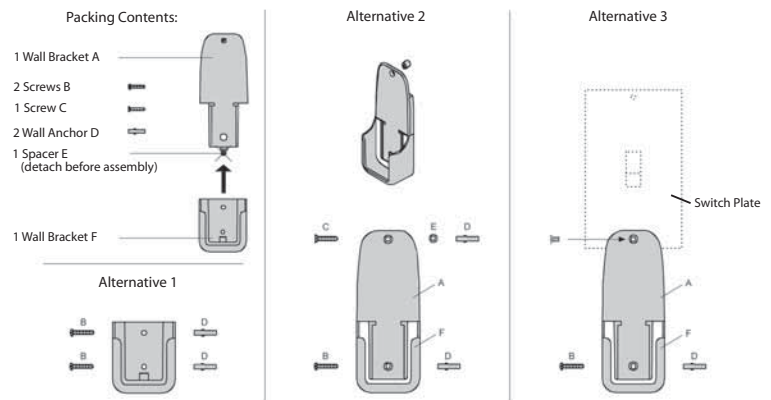
Too little aeration may result in black carbon forming and dropping into the firebox.



Remote Control Handset Wall Holder Installation

The remote control kit for this fireplace comes complete with a wall-mounted holder. This holder is not required in all installations but is provided as an optional feature for those customers who wish to mount the remote handset to the wall.

To install the holder to the wall, find a convenient location and use the hardware provided with the kit. See the diagram on the right for required hardware and configurations. Note that the holder can be installed at the base of a light switch plate.



IMPORTANT. The location of the remote control handset is important to assure proper temperature regulation. To obtain a constant temperature, we recommend that the handset should be between 3 and 15 feet away from the appliance **but not directly above it**. We also advise that the handset should be located away from any other heat source and not in direct sunlight as this may affect the temperature sensor located in the remote handset.

Owner's Information

CAUTION

Your fireplace becomes very hot when operating. Avoid placing decorating objects sensitive to heat within 36 inches (0.9 m) around it.

Performance of LPG appliances may be affected by the quality of commercial gas supplied in your area.

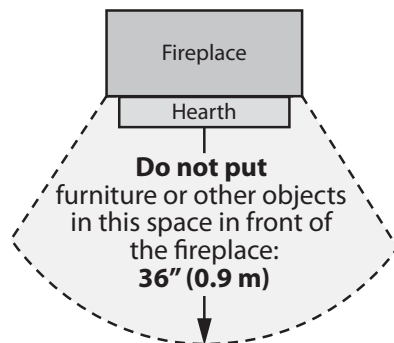
Warranty Card at the back of this manual.



Read the Safety Information section on page 4 of this manual.

Operating Your Fireplace

For your safety, this appliance is fitted with a flame supervision device which will shut-off the gas supply if, for any reason, the pilot flame goes out. This device incorporates a fixed probe, which senses the heat from the pilot flame. If the probe is cool, the device will prevent any gas flow unless manually lighting the pilot. See full lighting instructions on page 36 of this manual.



Cleaning

WARNING

DO NOT TOUCH THE GLASS WHILE IT IS HOT!
Let the fireplace cool first before cleaning it.

Important - Glass cleaning - Mineral deposits

One of the by-products of the combustion process in a gas appliance is a mineral which can show up as a white film on the ceramic glass of the window.

The composition of the deposit varies widely from various locations and also from time to time in the same location. It seems this is associated with the varying sulfur content of the gas. You may have the problem for a time and then not see it for many months when it will reappear in your area.

We have discussed this problem with ceramic glass manufacturers and they cannot give us a definitive answer to this problem. Dealers have tried various cleaning products with varying results. The following recommendations does not guarantee results in your particular case.

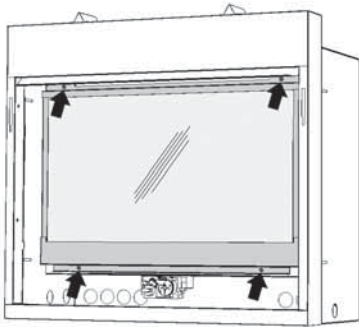
NOTE: This is a problem beyond Miles Industries' control and is not covered under warranty.

- Clean the glass regularly as soon as you notice the buildup (white film). If the film is left for a longer period of time, it will bake on. It is then much harder, if not impossible, to remove.
- **NEVER use an abrasive cleaner on the ceramic glass.** Any abrasion of the surface has the immediate effect of compromising the strength of the glass. An emulsion type cleaner is recommended.

Owner's Information

- Use a soft damp cloth to apply the cleaner. Dry the glass with a soft, dry, preferably cotton cloth. Most paper towels and synthetic materials are abrasive to ceramic glass and should be avoided.
- Our dealers have had good results from the products listed below. We cannot, however, guarantee the results of these products.
 - » BRASSO, POLISH PLUS by KELKEM, COOK TOP CLEAN CREME by ELCO, WHITE OFF by RUTLAND, TURTLE WAX

DO NOT CLEAN THE GLASS WHILE IT IS HOT!
Always securely replace the window before lighting.
If broken, the glass pane may only be replaced as a complete window unit as supplied by the manufacturer.

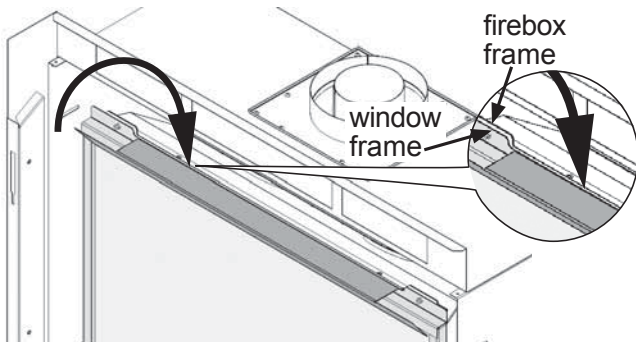


To remove the window for cleaning:

1. Unhook the window baffle located on top of the window frame.
2. Turn the top two spring-loaded window bolts through 90 degrees to release the window from the firebox.
3. Remove the bottom two spring-loaded window bolts.
4. Carefully lift the window away. Keep the window, window baffle, and bolts in a safe place.

To refit the window:

1. Slide the window inside the appliance case and rest it on the firebox front bottom tabs. Refit the bottom two bolts. The bolts should be screwed in securely.
2. Refit the top two bolts securing by turning them through 90 degrees.
3. Hook the window baffle to the top of the window frame.
Be careful not to hook it onto the firebox frame—see image below and page 26.



(appliance shown without its front frame for clarity)

4. Grab the top of the window and baffle and pull them forward and release to check that the window opens slightly and returns confirming the good function of the spring-loaded mechanism.
5. Similarly check the bottom of the window by pulling it forward and releasing.

Soot or dust can be brushed from the ceramic rocks and firebox walls using a soft brush. Dust can also be removed from the burner using a soft brush after removing the ceramic logs. When cleaning, make sure that no particles are brushed into the slots of the burner.

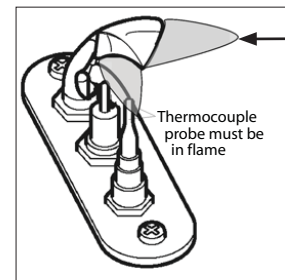
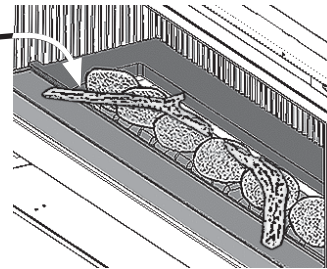
Checks

A periodic check of the pilot and burner flames should be made. Check after the fire has been on for at least 30 minutes. The pilot flame must cover the tip of the thermocouple probe. The main burner flame pattern will vary from appliance to appliance depending on the type of installation and climatic conditions.



Correct Flame Picture

Pilot Flame can be seen on the left of the first rock



The appliance area must always be kept clear and free from combustible materials, gasoline and other flammable vapors and liquids.

Inspect the vent terminal outdoors regularly to make sure that snow, trees, bushes, leaves, or other objects do not obstruct it.

Examine the vent system and terminal regularly. We recommend annually.

Owner's Information

Batteries

CAUTION

DO NOT USE a screwdriver or other metallic object to remove the batteries from the receiver or the handset! This could cause a short circuit to the receiver.

CAUTION

To avoid short-circuit to the receiver, position the **antenna** so that it **DOES NOT TOUCH the ignition wire**.

Low battery signal: see page 35.

BEFORE changing the batteries, turn off the valve using the wall switch's On/Off button.

The appliance uses four 1.5 V AA alkaline batteries for its remote control receiver and one 9 V alkaline battery for its handset. The batteries should last one to two seasons, depending on usage. Removing the batteries in the off-season will extend the battery life. Should the batteries lose power, the control may be operated by manually turning the control knob at the valve or by turning off the valve at the switch.

To replace the batteries in the remote control receiver:

1. The receiver is located to the left of the valve and it is retained to the firebox by a *Velcro* tab. Grab the receiver and pull it out from its location.
2. Slide and remove the receiver cover.
3. Replace the 4 AA batteries.
4. Replace the cover.
5. Put the receiver back in its position pushing it in so it attaches to the *Velcro* tab.

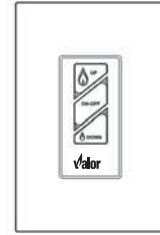
Fireplace Control Devices

There are two ways to control your fireplace.

1. Thermostatic Remote Control
2. Wall Switch



Thermostatic Remote Control



Wall Switch

The Thermostatic Remote Control can be programmed to function automatically—see pages 32–35.

The Wall Switch can be used to turn on, off, and to increase or decrease the flame height.

Please note that the remote control in the AUTO mode will override the wall switch.

If you decide to only use the wall switch and not use the remote control, remove the battery from the handset and store it away.

If you plan not to use your fireplace for a prolonged period of time, remove the battery from the remote handset and turn off the gas valve using the wall switch.

Servicing

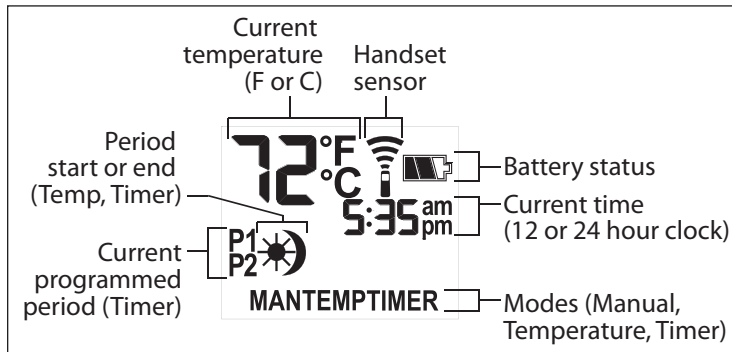
If any attention is required for your appliance, contact your supplier quoting the model number. It will be helpful if the appliance's serial number can also be quoted. This number is on the rating plate, which is located under the burner. The replacement parts are shown at the end of this manual. Please always quote the part number and description when requesting spare parts.

Remote Control Operation

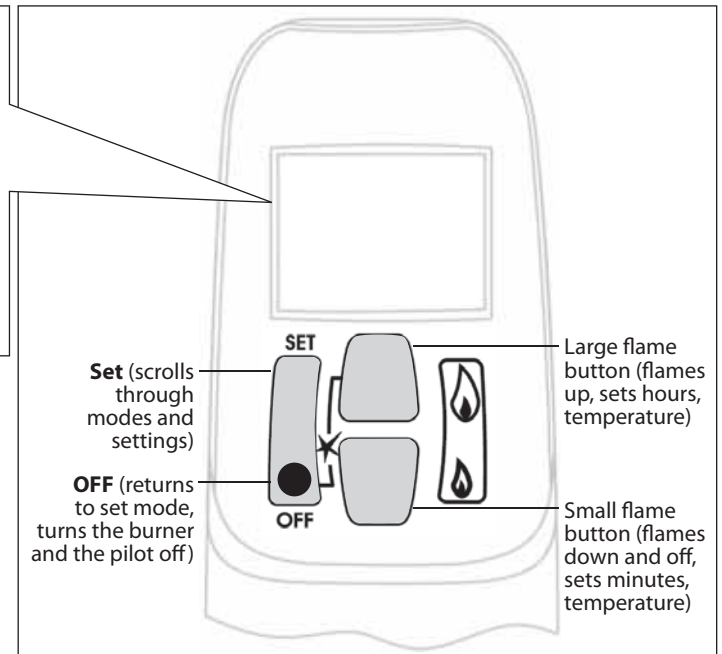
NOTE: Before using the remote control system for the first time, the receiver and the handset must be synchronized. See the section *Remote Control Initial Set-up* on page 28 in this manual.

Your fireplace remote control helps you get the comfort, convenience and aesthetics you want from your gas fireplace. The remote controls your fireplace in different ways.

IMPORTANT: BEFORE YOU BEGIN, please note that on this system, the settings of time, temperature and automatic ON/OFF can only be programmed when the function display is flashing. Be patient when programming as it can take a few seconds to set.



Display Overview



Handset Overview

Note: In the TEMP or TIMER modes, the remote handset senses the room temperature and adjusts the flame accordingly.

To communicate, the handset should be within 15 feet (4.5 meters) of the fireplace.

Do not leave the handset on the mantel or hearth.

Turning your fireplace ON

IMPORTANT: When the pilot is lit, the valve motor turns automatically to maximum flame height.

1. Make sure that the MAN knob on the valve is in ON position.
2. Make sure that the switch on the valve is in the I position.
3. Press and hold the OFF and 🔥 (large flame) buttons until you hear a short acoustic signal. Release the buttons.

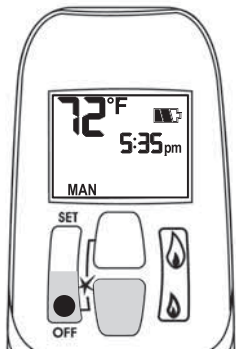
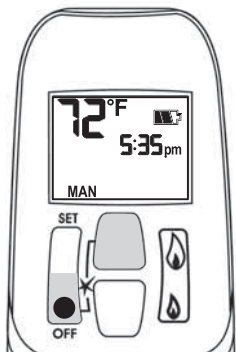
The acoustic signals will continue until the pilot lights. The remote control will go automatically into TEMP mode. The flame will be at maximum height until the remote control reads the temperature (factory set) and will then adjust the flame accordingly.

You can put the remote in MAN manual mode, change the temperature in TEMP mode or program your remote in TIMER mode as indicated in the following sections.

Turning your fireplace OFF

1. Press the 🔥 (small flame) button to reduce the flame to pilot.
2. Press the OFF button to turn the pilot off.

Alternately, you can press the **O** button on the switch if you won't use your fireplace for a long period of time, if you cannot locate your remote control handset or if you wish to change the batteries.



Remote Control Operation

Operation Modes

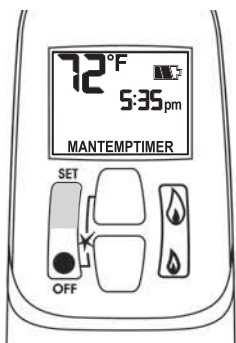
STANDBY MODE—Ignited pilot only.

MAN MAN MODE—Manual Mode. You can use this mode to adjust the flame height up or down.

☀️ TEMP TEMP MODE—Daytime Temperature Mode (appliance must be in Standby mode; pilot ignited): The room temperature is measured and compared to the set temperature. The flame height is then automatically adjusted to achieve the Daytime set temperature.

🌙 TEMP TEMP MODE—Nighttime Setback Temperature Mode (appliance must be in Standby mode, pilot ignited): The room temperature is measured and compared to the Nighttime Setback temperature. The flame height is then automatically adjusted to achieve the Nighttime Setback temperature.

TIMER TIMER MODE—(appliance must be in Standby mode, pilot ignited): The Timer setting allows you to set two burner ON times and two burner OFF times for every 24-hour period.



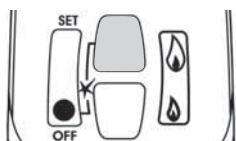
Scrolling through modes and functions

Briefly pressing the **SET** button changes the operation sequences in the following order:

MAN → ☀️ TEMP → 🌙 TEMP → TIMER → and back to MAN.

NOTE: MAN mode can also be reached by pressing either the 🔥 or 🔥 buttons.

Mode	Sun ☀️	Moon 🌙
TEMP	Daytime temperature setting	Nighttime temperature setting
TIMER	Start time setting	Stop time setting



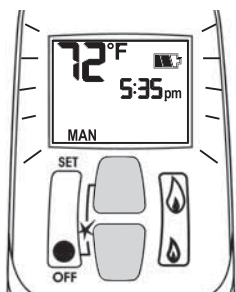
Flame Height

The flame height can be adjusted in the following manners. In MANUAL mode,

1. Press the 🔥 (large flame) button to turn on the main burner.
2. Press the 🔥 (large flame) button to increase the flame height.
3. Press the 🔥 (small flame) button to decrease the flame height or to go to pilot Standby position.

For fine adjustments, tap the 🔥 and 🔥 buttons.

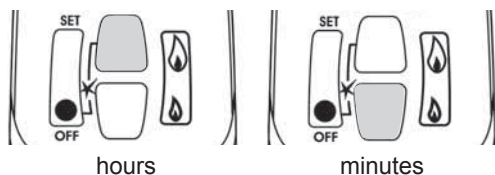
NOTE: While pressing either button, a symbol indicating transmission appears on the upper right hand corner of the display. The receiver confirms transmission with an acoustic signal.



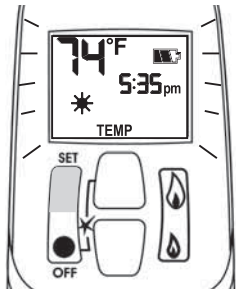
Time

To set the time, follow the steps below.

1. The display indicates °C/24-hour or °F/12-hour clock. To change from one to the other, press and hold both the **OFF** and 🔥 buttons until the display changes.
2. To set the time, hold down **both** the 🔥 and 🔥 buttons until the display flashes. Let go.
3. Quickly press the 🔥 button to set the hour and the 🔥 button to set the minutes.
Note: You must start setting the time while the display is flashing. If it stops flashing, go back to 2.
4. Press the **OFF** button to return to manual mode or simply wait and it will automatically return to Manual mode.



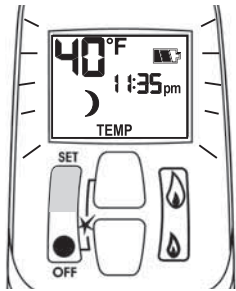
Remote Control Operation



Temperature

Use this setting when you come in and want to enjoy a set temperature.

1. Select either the ☀ **TEMP MODE** or the 🌙 **TEMP MODE** by briefly pressing the **SET** button.
2. Hold the **SET** button until the **TEMP** display flashes.
3. Set the desired temperature with the 🔥 or the 🔥 buttons.
Note: 4.5°C/40°F is the minimum temperature setting.
4. Press the **OFF** button or simply wait and the display will go to the temperature control mode.
Note: If you would like the Nighttime Setback temperature control to turn off, decrease the 🌙 **TEMP MODE** setting until [---] appears on the display.
Your fireplace will reach the set temperatures and the remote handset will check the temperature every five minutes, adjusting the amount of fuel needed to give you a steady, even heat.
5. The display must remain in **TEMP** mode on the remote handset.

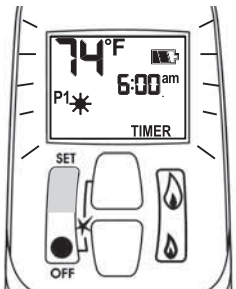


Timer

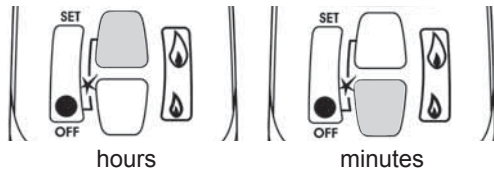
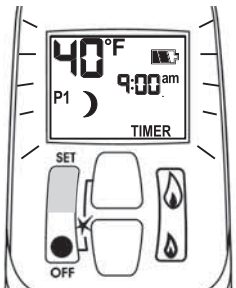
It is possible to program two periods of time per day at which your fireplace will turn on and off automatically.

For example, you can set your fireplace to turn on in the morning just before you get up (P1 ☀ [start time]) and to turn off when you leave for the day (P1 🌙 [stop time]). Then, you can set your fireplace to turn on again at the end of the day (P2 ☀ [start time]) and to turn off when you go to bed at night (P2 🌙 [stop time]).

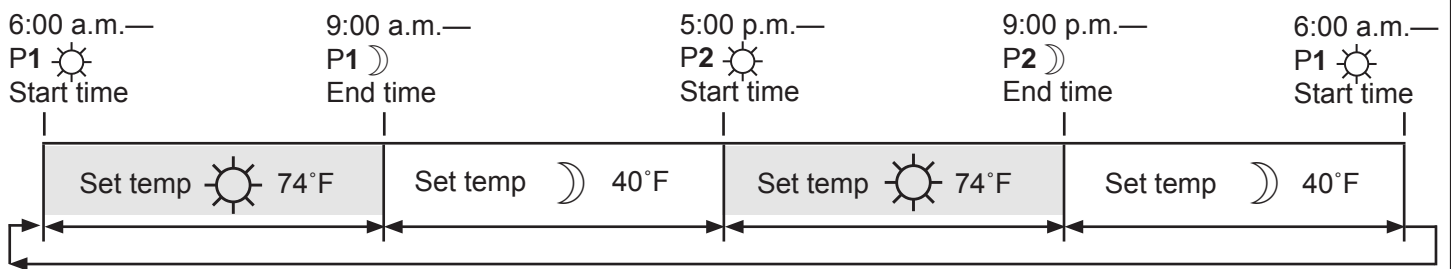
If you wish to set only one time period at which your fireplace will turn on and off, program P2 ☀ [start time] and P2 🌙 [stop time] for the same time as P1 🌙 [stop time].



1. Select **TIMER** mode by briefly pressing the **SET** button.
2. Press and hold the **SET** button until **TIMER** is displayed on the lower right hand side.
3. Press and hold the **SET** button until P1 ☀ and the time display flashes. Set the start time by pressing the 🔥 button for the hour and the 🔥 button for the minutes. Then, briefly press **SET** to P1 🌙 and set the stop time in the same manner you just set P1 ☀.
4. Briefly press the **SET** button again for the next burner cycle time, which will be P2 ☀ and P2 🌙.
5. Once all four times are set, press **OFF** or simply wait to complete programming.
6. The remote handset must remain in **TIMER** mode to function automatically.



Timer Programming Example (default temperatures shown)



Remote Control Operation

Low Battery Indication

Remote handset: BATT will appear on the display when the battery needs to be replaced.

Replace with one 9 V **alkaline** battery.

Receiver: Three short 'beeps' will sound when the motor turns when the batteries need to be replaced. Replace with four 1.5 V **alkaline** batteries.

NOTE: With very low battery, the valve shuts off the fire completely. This does not happen when the power supply is interrupted.

Handset / Receiver Match

The remote control handset and receiver are programmed to function together. In case of a replacement of the handset or the receiver, you will need to reset the receiver to allow them to function together. Contact your dealer for details

Automatic Standby Mode

If there is no transmission from the handset to the receiver within a 6-hour period, the appliance will go to **Standby** (pilot) mode.

CAUTION

DO NOT USE a screwdriver or other metallic object to remove the batteries from the battery box or the handset! This could cause a short circuit.

Options

Required Kits

Liners (choose one)

618EBL—Enamel Black Liner (Steel)

620FBL—Fluted Black Liner (Ceramic)

621VRL—Valor Red Brick Liner (Ceramic)

622LSL—Ledgestone Liner (Ceramic)

Surrounds (choose one)

660LSV—Landscape Surround Vintage Iron

662SSV—Square Surround Vintage Iron

Inner Bezel (choose one—required with Surround)

661BSB—Inner Bezel Black

661BSN—Inner Bezel Nickel

661BSC—Inner Bezel Copper

661BSP—Inner Bezel Polished

Optional Kits

755CFK—Circulating Fan Kit

Having variable speed and temperature control, it is designed to boost the natural convection process through the appliance. It may be fitted before the fireplace is installed or retrofitted at a later date provided power is available.

NOTE: The power supply to the fan should be controlled by a wall switch to allow convenient ON/OFF control of the fan.

650NGK—Natural Gas Conversion Kit

For conversion from propane to natural gas. Intended primarily for post installation conversion in areas where natural gas was not available at the time of initial installation.

650PGK—Propane Gas Conversion Kit

For conversion from natural gas to propane gas.

Hearth Gate (optional)

Hearth gates such as Kidco's are available at retail stores carrying safety products for children.

Lighting Instructions

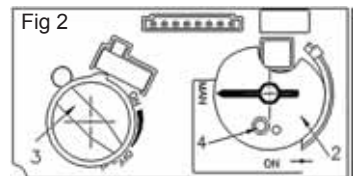
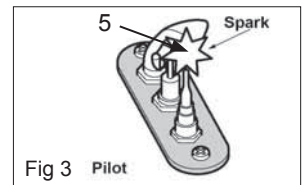
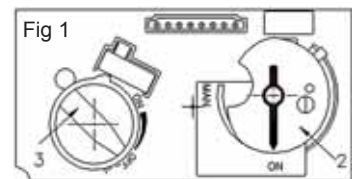
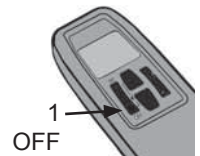
FOR YOUR SAFETY, READ BEFORE LIGHTING

WARNING: If you do not follow these instructions exactly, a fire or explosion may result causing property damage, personal injury or loss of life.

- A. This appliance has a pilot which must be lighted by hand, remote control, or wall switch. Follow these instructions exactly. To save gas, turn the pilot off when not using the appliance for a prolonged period of time.
- B. **BEFORE LIGHTING**, smell all around the appliance area for gas. Be sure to smell next to the floor because some gases are heavier than air and will settle on the floor.
- WHAT TO DO IF YOU SMELL GAS**
- Do not try to light any appliance.
 - Do not touch any electric switch; do not use any phone in your building.
 - Immediately call your gas supplier from a neighbor's phone. Follow the gas supplier's instructions.
 - If you cannot reach your gas supplier, call the fire department.
- C. Use only your hand to push in or turn the control knobs. Never use tools. If the knobs will not push in or turn by hand, don't try to repair them; call a qualified service technician. Force or attempted repair may result in a fire or explosion.
- D. Do not use this appliance if any part has been under water. Immediately call a qualified service technician to inspect the appliance and to replace any part of the control system and any gas control, which has been under water.

LIGHTING INSTRUCTIONS

1. **STOP!** Read the safety information above.
2. **TO CLEAR ANY GAS, turn main valve off by pressing OFF (red dot) button on remote handset (1).**
 - Wait five (5) minutes to clear out any gas, then smell for gas, including near the floor. **If you smell gas, STOP!** Follow "B" in the safety information above on this label. If you don't smell gas, go to the next step.
3. **AUTOMATIC IGNITION:** MAN-knob (2) in ON position. Ensure Flame Adjustment knob (3) is set to lowest setting (∩) (Fig. 1). Locate the pilot (Fig. 3.) inside of firebox at left hand side.
 - On the remote control handset, press the OFF button (red dot) and large flame button (🔥) simultaneously; a short acoustic signal confirms the start has begun.
 - Further short acoustic signals indicate the ignition process is in progress.
 - When the pilot is lit, the Flame Adjustment knob (3) will automatically rotate to the highest setting.
 - Press the small flame button (🔥) on the remote control handset to reduce the flame height.
4. **MANUAL IGNITION:** MAN-knob (2) in MAN position (Fig. 2). With the window off, locate the pilot (Fig. 3) inside of firebox at left hand side.
 - Set Flame Adjustment knob (3) to the lowest setting (∩).
 - Push down the metallic core (4) with a pen or similar instrument; this will establish the pilot gas flow.
 - Light gas at the pilot (5) with a match.
 - Continue holding down metal core (4) for about 10 seconds; after release, pilot should remain lit.
 - If the pilot will not stay lit after several tries, turn the gas control knob (3) to OFF (∩) and call your local service technician or gas supplier.
 - Reinstall the window and set the MAN-knob (2) to ON; turn Flame Adjustment knob (3) up (∪) or down (∩) manually or use the flame buttons (🔥) (🔥) buttons on the remote control handset to adjust the flame height.

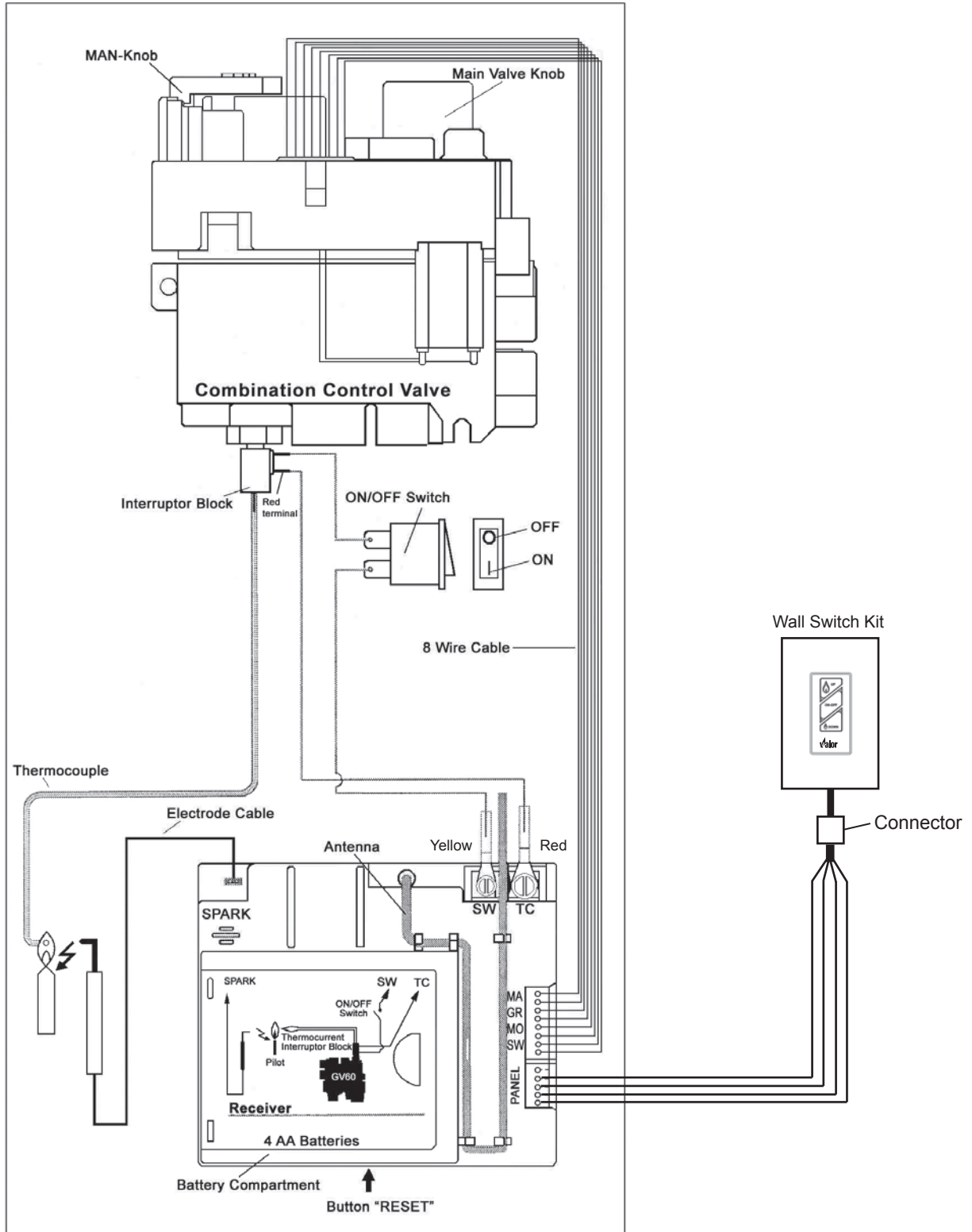


TO TURN OFF GAS TO APPLIANCE

AUTOMATIC SHUT-OFF (using the remote control handset):



- Press and hold the small flame button (🔥) on the remote control handset to shut-off the main burner gas flow.
- Press OFF button (red dot) on remote handset to shut-off the appliance, including pilot flame.

Wiring Diagram



GV60 Wiring Diagram

Approved Venting Components

APPROVED DIRECT VENT SUPPLIERS FOR VALOR MODELS 530, 534, 535, 650, AND MF28								
 			Venting Parts Code / availability by Manufacturer					
Venting Parts Description			SIMPSON DURA-VENT	SELKIRK	ICC EXCEL DIRECT	SECURE VENT	RLH INDUSTRIES	MILES INDUSTRIES
Termination Caps	Horizontal	Co-axial Kit, 26" long	—	—	—	—	—	551DVK
		Standard Co-axial	46DVA-HC	4DT-HC	TM-4HT	—	—	—
		Deluxe Co-axial	—	—	TM-4DHT	—	—	—
		High Wind Co-axial	—	—	—	SV4CHC	—	—
	Vertical	Standard Co-axial	46DVA-VC	4DT-VC	TM-4VT	—	HSDV4658-1313	—
		High Wind Co-axial	46DVA-VCH	—	—	SV4CGV	—	—
		Extended Co-axial	46DVA-VCE	—	—	—	—	—
		Co-linear	—	—	—	3PDVCV	HS-C33U-99 HS-C33F-1313	559CLT
		Snorkel, 14" Rise	46DVA-SNK14	4DT-ST14	TM-4ST14	—	—	—
	Snorkel, 36" Rise	46DVA-SNK36	4DT-ST36	TM-4ST36	—	—	—	
Vent Adapters / Couplers	Universal Adapter 3" Flex Coupler		2150	—	TM-CFAA3	—	—	—
	Co-linear Flex Connector		46DVA-ADF	—	—	—	—	—
	Co-axial-to-Co-linear Adapter		46DVA-GCL	—	TM-4CAA	—	—	556CLA
	Co-linear-to-Co-axial Adapter		46DVA-GK	—	TM-4CTA	—	—	—
Aluminum Flexible Liner	3" diameter		2280 Series	3" ACFL	NOTE: 2-ply liner approved to CAN/ULC S635 suitable for venting gas appliances. As manufactured by Z-Flex.			
Adjustable Pipe Length 4" x 6-5/8"	4" to 10"	Galvanized	—	4DT-ADJ	—	—	—	—
		Black	—	4DT-ADJ(B)	—	—	—	—
	1-1/2" to 6"	Galvanized	—	—	—	SV4LA	—	—
		Black	—	—	—	SV4LBA	—	—
	1-1/2" to 12"	Galvanized	—	—	TC-4DLT	SV4LA12	—	—
		Black	—	—	TC-4DLTB	SV4LBA12	—	—
	1-1/2" 24"	Galvanized	—	—	—	SV4LA24	—	—
		Black	—	—	—	SV4LBA24	—	—
DV 45° Elbows	Galvanized		46DVA-E45	—	TE-4DE45	—	—	
	Black		46DVA-E45B	—	TE-4DE45B	SV4EBR45	—	
	Galvanized Swivel		—	4DT-EL45	—	SV4E45	—	
	Black Swivel		—	4DT-EL45(B)	—	SV4EB45	—	
DV 90° Elbows	Galvanized		46DVA-E90	—	TE-4DE90	—	—	
	Black		46DAV-E90B	—	TE-4DE90B	SV4EBR90	—	
	Galvanized Swivel		—	4DT-EL90	—	SV4E90	—	
	Black Swivel		—	4DT-EL90(B)	—	SV4EB90	—	

Approved Venting Components

Venting Parts Description			Venting Parts Code / availability by Manufacturer					
			SIMPSON DURA-VENT	SELKIRK	ICC EXCEL DIRECT	SECURE VENT	RLH INDUSTRIES	MILES INDUSTRIES
Pipes 4" x 6 5/8" (ID x OD)	6" long	Galvanized	46DVA-06	4DT-06	TC-4DL6	SV4L6	—	—
		Black	46DVA-06B	4DT-06(B)	TC-4DL6B	SV4LB6	—	—
	9" long	Galvanized	46DVA-09	4DT-09	—	—	—	—
		Black	46DVA-09B	4DT-09(B)	—	—	—	—
	12" long	Galvanized	46DVA-12	4DT-12	TC-4DL1	SV4L12	—	—
		Black	46DVA-12B	4DT-12(B)	TC-4DL1B	SV4LB12	—	—
	18" long	Galvanized	46DVA-18	4DT-18	—	—	—	—
		Black	46DVA-18B	4DT-18(B)	—	—	—	—
	24" long	Galvanized	46DVA-24	4DT-24	TC-4DL2	SV4L24	—	—
		Black	46DVA-24B	4DT-24(B)	TC-4DL2B	SV4LB24	—	—
	36" long	Galvanized	46DVA-36	4DT-36	—	SV4L36	—	—
		Black	46DVA-36B	4DT-36(B)	—	SV4LB36	—	—
	48" long	Galvanized	46DVA-48	4DT-48	TC-4DL4	SV4L48	—	—
		Black	46DVA-48B	4DT-48(B)	TC-4DL4B	SV4LB48	—	—
Flashings	Roof Flashing 0/12-6/12		46DVA-F6	4DT-AF6	TF-4FA	SV4FA	—	—
	Roof Flashing 7/12-12/12		46DVA-F12	4DT-AF12	TF-4FB	SV4B	—	—
	Flat Roof Flashing		46DVA-FF	—	TF-4F	SV4F	—	559FSK
	Masonry Flashing		—	—	TF-4MF	—	—	—
Various Venting System Parts	Wall Thimble		46DVA-WT	4DT-WT	TM-4WT	SV4RSM	—	—
	Storm Collar		46DVA-SC	4DT-SC	TM-SC	SV4AC	—	—
	Decorative Plate		46DVA-DC	4DT-CS	TM-4TR	SV4PF	—	—
	Cathedral Ceiling Support		46DVA-CS	4DT-CCS	—	—	—	—
	Ceiling Firestop / Floor Support		46DVA-FS	4DT-FS	TM-CS	SV4BF SV4SD	—	—
	Attic Radiation Shield / Firestop		—	—	TM-4AS	—	—	—
	Wall Strap		46DVA-WS	4DTWS	TM-WS	—	—	—
	Vinyl Siding Standoff		46DVA-VSS	4DT-VS	TM-VSS	SV4VS	—	—
	Elbow Strap / Offset Support		46DVA-ES	4DT-OS	TM-OS	—	—	—
	Terminal Guard		46DVA-WG	—	—	—	—	835TG

Notes:

- 1) All listed above co-axial pipes and fittings require Valor 817VAK Adapter Kit to fit Valor's smooth collars.
- 2) Follow instructions supplied with each manufacturer's components.
- 3) Unless otherwise specified, all the parts and assemblies from the above table are to be used with 4" x 6-5/8" pipes.
- 4) **Do not mix components from different vent manufacturers.**
- 5) Termination caps manufactured by RLH Industries are from *Homestyle Chimney Collection* and can be ordered in one of the following finishes:
a) aluminium; b) black powder coated; c) solid copper.

Warranty

If you have a problem with this unit, please contact your dealer or supplier immediately. Under no circumstances should you attempt to service the unit in any way by yourself. The warranties in paragraphs 1 and 2 are provided only to the first purchaser/user of this unit, are not transferable and are subject to the conditions and limitations in paragraphs 3, 4 and 5. Please review the conditions and limitations carefully and strictly follow their requirements.



1. Extended Warranty Coverage

For a period of up to ten (10) years, Miles Industries Ltd., (the "Company") or its appointed distributor will at its option pay the initial purchaser for the repair of, or will exchange the following parts or components which are found to be defective in material or workmanship under normal conditions of use and service:

Part or Component	Defect Covered	Maximum Warranty Period
Exterior steel casing	Corrosion	10 years
Glass	Loss of structural integrity	10 years
Cast iron parts	Corrosion	10 years
Firebox and heat exchanger	Corrosion (but not discoloration) causing loss of structural integrity	10 years

2. Two-Year Parts Warranty

In addition, for two (2) years from the date of purchase, the Company, at its option, can repair or exchange all parts and components not listed above but that are found to have a *bona fide* defect in material or workmanship under normal conditions of use.

3. Conditions and Limitations

- a) The warranty registration card must be completed by the initial owner and returned to the Company within 90 days of purchase.
- b) Installation and maintenance must be performed by an authorized and trained dealer in accordance with the Company's installation instructions.
- c) This warranty is void where installation of the unit does not conform to all applicable codes including national and local gas appliance installation codes and building and fire codes.
- d) The owner must comply with all operating instructions.
- e) The Company is not responsible for the labor costs to remove defective parts or re-install repaired or replacement parts.
- f) The first purchaser or user of the unit will be responsible for any shipping charges for replacement parts as well as travel time incurred by the dealer to perform the warranty work.
- g) This warranty applies to non-commercial use and service and is void if it is apparent that there is abuse, misuse, alteration, improper installation, accident or lack of maintenance to the unit.
- h) This warranty does not cover damage to the unit through:
 - i) Improper installation, operational or environmental conditions.
 - ii) Inadequate ventilation in the area or competition for air from other household equipment or appliances.
 - iii) Damage due to chemicals, dampness, condensation, or sulphur in the fuel supply lines which exceeds industry standards.
- i) This warranty does not cover glass, log breakage or damage to the unit while in transit.
- j) The Company does not allow anyone to extend, alter or modify this warranty and assumes no responsibility for direct, indirect or consequential damages caused by the unit. State or provincial laws where the first purchaser or user resides may provide specific rights to extend this warranty and, if so, the Company's sole obligation under this warranty is to provide labor and/or materials in accordance with those laws.

4. Discharge of Liability

After two (2) years from the date of purchase, the Company may, at its option, fully discharge all obligations under this warranty by paying to the first purchaser/user the wholesale price of any defective parts.

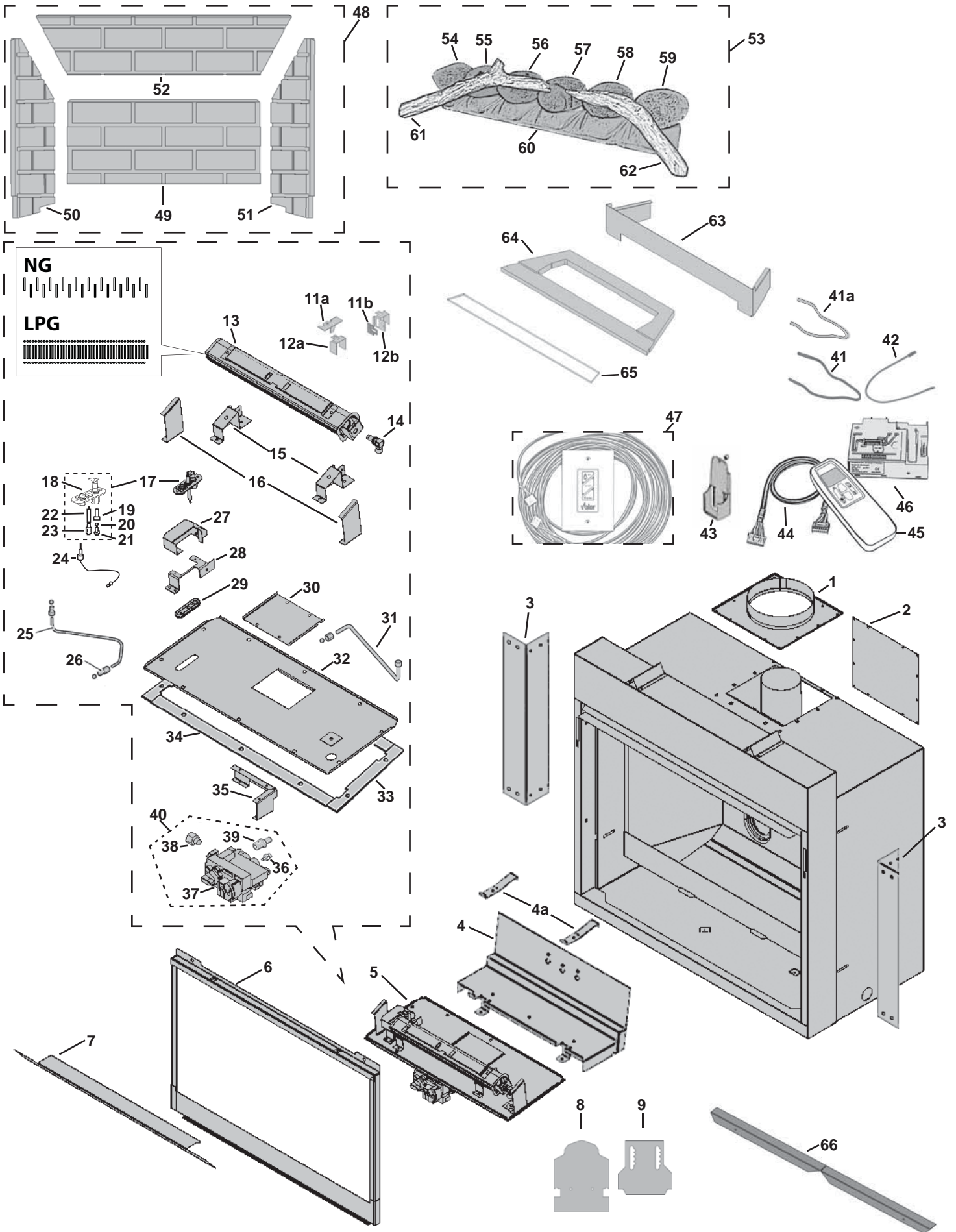
5. No Other Warranty

All obligations to repair this unit are defined in this warranty. Some states or provinces may specifically mandate additional warranties on the part of manufacturers, but in the absence of such specific legislation, there is no other warranty or obligation expressed or implied.

Replacement Parts

Key	Description	Part no.
1	Outer vent collar	330A888
2	Blanking plate	330A964
3	Side frame fixing brackets (2)	3000255
4	Rear log support	4001999
4a	Rear log support spacers (2)	4002870
5	Burner module NG	4001952
	Burner module LPG	4001953
6	Window assembly	3000389S
7	Window baffle	4001970
8	Restrictor plates (2)	4002895
9	Adjustable plates (2)	4002896
	Screws (2) (not shown)	100A757
11a	Flashback shield LPG	3000371
11b	Air shutter cover NG	4002346
12a	Air shutter slider LPG	320B293
12b	Air shutter slider NG	4002345
13	Burner NG	740K189
	Burner LPG	740K190
14	Injector elbow 82-650 NG	9730012
	Injector elbow 92-260 LPG	9730007
15	Burner mounts (2)	4001964
16	Front log supports (2)	4001965
17	Pilot assembly NG	4000062S
	Pilot assembly LPG	4000063S
18	Pilot bracket	720A542
19	Pilot injector no. 35 NG	4002511
	Pilot injector no. 27 LPG	720A195
20	Hooked olive for pilot injector	720A196
21	Olive nut for pilot pipe	420K385
22	Electrode	720A543
23	Electrode retaining nut	720A200
24	Thermocouple	4000061
25	Pipe—valve to pilot	030A226
26	Olive nut for pilot pipe	220K913
27	Pilot shield	4002203
28	Pilot support bracket	330A904
29	Pilot seal	620B995
30	Access plate	4001680
31	Pipe—valve to main burner	3000247
32	Burner plate	4001966
33	Gaskets—module plate sides (2)	3000399
34	Gaskets—module plate front & back	3000400
35	Valve mounting bracket	4000141
36	Thermocurrent interruptor	4001037
37	Valve GV60 no. 125 by-pass screw	4000873
38	Inlet brass connector	4000746
39	Valve to main burner pipe connector	220K891
40	GV60 Valve assembly	4000873X

Key	Description	Part no.
41	Ignition cable 500 mm	4001039
41a	Ignition cable sleeve	4002244
42	Cable interruptor	4001035
43	Handset wall holder	9000008
44	Wiring harness	4001187
45	Remote control handset	4001910
46	Remote control receiver	4001911
47	Wall switch kit	1265WSK
48	Liner panels—complete set	
a	Enamel black	618EBL
b	Ceramic fluted black	620FBL
c	Valor red brick	621VRL
d	Ledgestone	622LSL
49	Rear panel	
a	Enamel black	4002085
b	Ceramic fluted black	4002109
c	Valor red brick	4002105
d	Ledgestone	4002113
50	Left side panel	
a	Enamel black	4002087
b	Ceramic fluted black	4002107
c	Valor red brick	4002103
d	Ledgestone	4002111
51	Right side panel	
a	Enamel black	4002086
b	Ceramic fluted black	4002108
c	Valor red brick	4002104
d	Ledgestone	4002112
52	Top panel	
a	Ceramic plain black	4002110
b	Ceramic plain black	4002110
c	Valor red brick	4002106
d	Ledgestone	4002114
53	Rock Set Complete	4001791
54	Rock No. 1	4001821
55	Rock No. 2	4001822
56	Rock No. 3	4001823
57	Rock No. 4	4001824
58	Rock No. 5	4001825
59	Rock No. 6	4001826
60	Rock Base	4001792
61	LH Twig	4001827
62	RH Twig	4001828
63	Front Support—Platform	4001998AH
64	Ceramic Platform	4001997
65	Glass Panel	4001836
66	12-inch Top stand-off	4002121



Thank You ...

For purchasing a Valor by Miles Industries. Your new radiant gas heater is a technical appliance that must be installed by a qualified dealer.

Please circle where appropriate - ask your installer or your dealer if in doubt. The information provided will be used for customer records only.



Model: 650IR NG (natural gas) LPG (propane)				Serial No:		
Front/Trim code/description (e.g. 660LSV Landscape Surround):						
Purchase date (mm-dd-yyyy):						
Home Owner Name:						
Address:						
City:			Province/State:		Postal Code/Zip:	
Phone: ()			Email Address:			
Store Type:		Fire shop	Hardware	Contractor	Other	
Purchase Decision:		Male	Female	Both		
Age:	Under 30	30-39	40-49	50-59	60+	
Heard of this product through:						
	Friend	Brochure	Advertising	Mailing	Store	Internet Other
Installation Type:						
	New home	Renovation	Other			
Reason for Purchase:						
Performance	Flame Appeal	Design	Control	Previous owner	Recommendation	Price Other
Dealer Name:						
Address:						
City:			Province/State:		Postal Code/Zip:	
Phone: ()						

Cut out page, fill information, and mail to Miles Industries Ltd.

Online Warranty registration at www.valorfireplaces.com



Tape Shut



Fold here



Postage
needed

Miles Industries Ltd.
190 - 2255 Dollarton Highway
North Vancouver, BC V7H 3B1
Canada

Online Warranty registration at www.valorfireplaces.com

Were you given all documentation and manuals for your product? YES NO



Thank you for choosing a Valor Product