

DV ZC Gaz Fireplace 1300ILN/P (Logs) & 1300IRN/P (Rocks) Installation & Owner's Manual

WARNING



**HOT GLASS WILL
CAUSE BURNS.**

**DO NOT TOUCH GLASS
UNTIL COOLED.**

**NEVER ALLOW CHILDREN
TO TOUCH GLASS.**

INSTALLER
Leave this manual
with the appliance.

CONSUMER
Retain this manual
for future reference.

WARNING: If the information in these instructions is not followed exactly, a fire or explosion may result causing property damage, personal injury or loss of life.

Do not store or use gasoline or other flammable vapors and liquids in the vicinity of this or any other appliance.

WHAT TO DO IF YOU SMELL GAS

- Do not try to light the appliance.
- Do not touch any electrical switch; do not use any phone in your building.
- Immediately call your gas supplier from a neighbor's phone. Follow the gas supplier's instructions.
- If you cannot reach your gas supplier, call the fire department.

Installation and service must be performed by a qualified installer, service agency or the gas supplier.

Please read this manual **BEFORE** installing and operating this appliance.

This appliance may be installed in an after-market permanently located, manufactured (mobile) home where not prohibited by local codes.

This appliance is only for use with the type of gas indicated on the rating plate. This appliance is not convertible for use with other gases, unless a certified kit is used.

This appliance is a domestic room-heating appliance. It must not be used for any other purposes such as drying clothes, etc.

This appliance is suitable for installation in a bedroom or bed sitting room.

Massachusetts: The piping and final gas connection must be performed by a licensed plumber or gas fitter in the State of Massachusetts. Also, see Carbon Monoxide Detector requirements under "Safety and Warning Information" on page 6.

Ce guide est disponible en français sur demande.

Manufactured by
MILES INDUSTRIES LTD., British Columbia, Canada
www.valorfireplaces.com

CAUTION—HOT! HOT! HOT!

This appliance is a HEATING appliance and it becomes very hot when in operation.

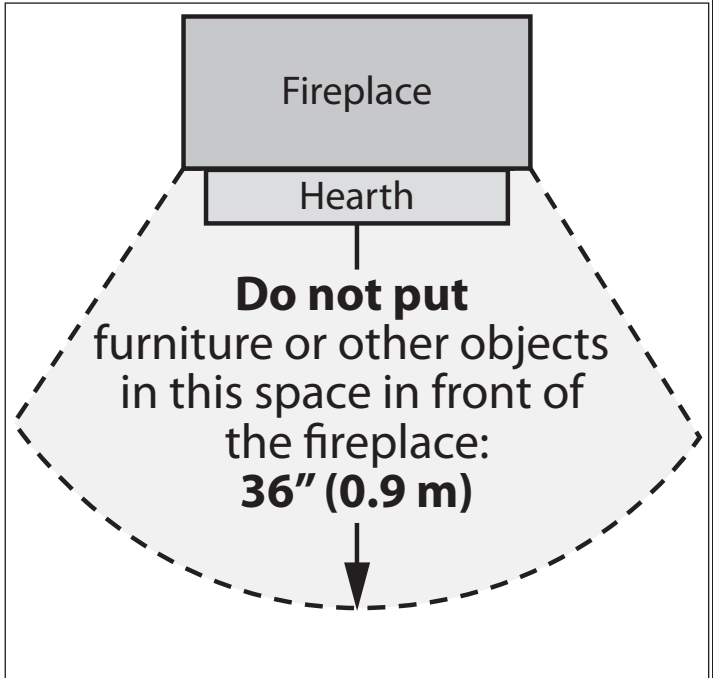
UNDER ANY CIRCUMSTANCES, DO NOT PLACE any object, furniture, draperies or other item LESS THAN 36 inches (0.9 m) IN FRONT OF THE FIREPLACE.

CHILDREN and PETS

Radiant heat can heat surfaces such as the hearth in front of the fireplace to temperatures that, although approved safe, can be quite uncomfortable to touch or step on—particularly for children and pets. Children and pets should always be supervised when in the room where the appliance is located. Remote control handset should be kept out of reach of children. In the presence of children, we **STRONGLY RECOMMEND** that you install in front of the fireplace: a fire screen or, to protect young toddlers, a “hearth gate”—see Options on page 41.

HOT SURFACES

Be aware that, although safe, some combustible materials and finishes, even though installed at listed clearances may, over time, shrink, discolor, warp or show cracks. The 1300I requires the installation of the cement board provided with the engine. Convective heat will exit the unit and travel up the wall surface if not impeded. Protruding mantels and projections can help direct the heat away from the wall. **AVOID PLACING** heat sensitive items such as televisions, paintings, decorations, etc. above fireplaces or near the edge of protrusions unless appropriate.



The information contained in this installation manual is believed to be correct at the time of printing. Miles Industries Ltd. reserves the right to change or modify any information or specifications without notice. Miles Industries Ltd. grants no warranty, implied or stated, for the installation or maintenance of your heater, and assumes no responsibility for any consequential damage(s).

NATIONAL FIREPLACE INSTITUTE
NFI
CERTIFIED
www.nficertified.org

We recommend that our gas hearth products be installed and serviced by professionals who are certified in the U.S. by the National Fireplace Institute® (NFI) as NFI Gas Specialists.

Designed and Manufactured by / for
Miles Industries Ltd.

190–2255 Dollarton Highway, North Vancouver, BC, CANADA V7H 3B1

Tel. 604-984-3496 Fax 604-984-0246

www.valorfireplaces.com

© Copyright Miles Industries Ltd., 2012

Safety and Your Fireplace

Please Read and Carefully Follow all Safety Warnings and Operating Instructions Contained in Your Owners Manual

(Replacement Manuals are available by contacting our service department at 1-800-468-2567 or visit www.valorfireplaces.com).

Please Follow These Important Child Safety Precautions and Recommendations,

- Parts of your Valor Fireplace become **extremely hot** while in operation.
- The glass viewing **window temperature can exceed 500 F** at full capacity. Momentary contact with a hot glass surface can **cause a severe burn**, even if the fireplace is operating at reduced heating capacity.
- **The glass window will remain hot** for an extended period of time after the fireplace has been turned off. Ensure that children are prevented from touching the fireplace during the cool down period.
- **Toddlers and Young Children must be closely supervised at all times** when they are in the same room as the operating fireplace. They lack full awareness of danger and rely on your protection. Toddlers, in particular, do not have the motor skills and response reflexes to



withdraw in the event of accidental contact with a hot surface.

- **A physical barrier is strongly recommended** if there are young children, or at-risk individuals in the house. Install an approved after-market safety gate to keep toddlers, young children and other at-risk individuals a safe distance from the fireplace.
- **Keep the remote control handset out of reach of children at all times.** A wall mount storage holster is provided with your remote control handset.
- **Ensure that the fireplace, including the pilot light, is completely turned off** when children are present and close supervision and safety barriers are not available—see page 36 of *Owner's Information* section.
- If the fireplace is not going to be used for the summer or any extended period of time, **remove the batteries from the remote control handset and receiver.** It is recommended that batteries are replaced annually in any event—see page 35.

Table of Contents

| | |
|---|-----------|
| Safety and Your Fireplace | 3 |
| Safety and Warning Information | 5 |
| Specifications | 8 |
| Overview | 9 |
| ◇ Dimensions & Location | 10 |
| Mantel Clearances | 11 |
| Framing & Hearth Requirements | 13 |
| ◇ Venting | 15 |
| Co-Axial Venting | 16 |
| Co-Linear Venting | 20 |
| Installation Planning | 21 |
| ◇ Appliance Preparation | 22 |
| Window Removal | 25 |
| Supply Gas installation | 25 |
| Ceramic Liners Installation | 27 |
| Logs Installation (1300IL) | 28 |
| Rocks Installation (1300IR) | 29 |
| Window Refitting | 31 |
| Remote Control Initial Set-up | 31 |
| Operation Check & Aeration Settings Adjustment | 32 |
| Remote Control Handset Wall Holder Installation | 32 |
| Owner's Information | 33 |
| Remote Control Operation | 37 |
| Options | 41 |
| Lighting Instructions | 42 |
| Wiring Diagram | 43 |
| Approved Venting Components | 44 |
| Warranty | 46 |
| ◇ Spare Parts | 47 |

◇ = Updated content

READ and **UNDERSTAND** all instructions carefully before starting the installation. **FAILURE TO FOLLOW** these installation instructions may result in possible fire hazard and will void the warranty.

Prior to the first firing of the fireplace, **READ** the Owner's Information section of this manual.

DO NOT USE this appliance if any part has been under water. Immediately, **CALL** a qualified service technician to inspect the unit and to replace any part of the control system and any gas control that has been under water.

THIS UNIT IS NOT FOR USE WITH SOLID FUEL.

Installation and repair should be **PERFORMED** by a qualified service person. The appliance and venting system should be **INSPECTED** before initial use and at least annually by a professional service person. More frequent cleaning may be required due to excessive lint from carpeting, bedding, etc. It is **IMPERATIVE** that the unit's control compartment, burner, and circulating air passageways **BE KEPT CLEAN** to provide for adequate combustion and ventilation air.

Always **KEEP** the appliance clear and free from combustible materials, gasoline, and other flammable vapors and liquids.

NEVER OBSTRUCT the flow of combustion and ventilation air. Keep the front of the appliance **CLEAR** of all obstacles and materials for servicing and proper operation.

Due to the high temperature, the appliance should be **LOCATED** out of traffic areas and away from furniture and draperies. Clothing or flammable material **SHOULD NOT BE PLACED** on or near the appliance.

Children and adults should be **ALERTED** to the hazards of high surface temperature and should **STAY AWAY** to avoid burns or clothing ignition.

YOUNG CHILDREN should be **CAREFULLY SUPERVISED** when they are in the same room as the appliance. Toddlers, young children and others may be susceptible to **ACCIDENTAL CONTACT BURNS**. A physical barrier is recommended if there are at risk individuals in the house. To restrict access to a fireplace or stove, **INSTALL AN ADJUSTABLE SAFETY GATE** to keep toddlers, young children and other at risk individuals out of the room and away from hot surfaces.

This unit **MUST** be used with a vent system as described in this installation manual. **NO OTHER** vent system or components **MAY BE USED**.

This gas fireplace and vent assembly **MUST** be vented directly to the outside and **MUST NEVER** be attached to a chimney serving a separate solid fuel burning appliance. Each gas appliance **MUST USE** a separate vent system. Common vent systems are **PROHIBITED**.

INSPECT the external vent cap on a regular basis to make sure that no debris, plants, trees, shrubs are interfering with the air flow.

The glass door assembly **MUST** be in place and sealed before the unit can be placed into safe operation.

DO NOT OPERATE this appliance with the glass door removed, cracked, or broken. Replacement of the glass door should be performed by a licensed or qualified service person. **DO NOT** strike or slam the glass door.

The glass door assembly **SHALL ONLY** be replaced as a complete unit, as supplied by the fireplace manufacturer. **NO SUBSTITUTE** material may be used.

DO NOT USE abrasive cleaners on the glass door assembly. **DO NOT ATTEMPT** to clean the glass door when it is hot.

TURN OFF the gas before servicing this appliance. It is recommended that a qualified service technician perform an appliance check-up at the beginning of each heating season.

Any safety screen or guard removed for servicing **MUST BE REPLACED** before operating this appliance.

DO NOT place furniture or any other combustible household objects within 36" of the fireplace front.

BE CAREFUL not to put any decorating objects sensitive to heat to close above or around the fireplace as it gets very hot when operating.

DO NOT use this heater as a temporary source of heat during construction.

This appliance is a **DOMESTIC ROOM-HEATING APPLIANCE**. It must not be used for any other purposes such as drying clothes, etc.

HOT SURFACES. Be aware that, although safe, some combustible materials and finishes, even though installed at listed clearances may, over time, shrink, discolor, warp or show cracks. The 13001 requires the installation of the cement board provided with the engine.

Convective heat will exit the unit and travel up the wall surface if not impeded. Protruding mantels and projections can help direct the heat away from the wall. AVOID PLACING heat sensitive items such as televisions, paintings, decorations, etc. above fireplaces or near the edge of protrusions unless appropriate.

Radiant heat can heat surfaces such as the hearth in front of the fireplace to temperatures that, although approved safe, can be quite uncomfortable to touch or step on—particularly for children and pets. Accessory screens and guards will reduce the radiant heat on these surfaces.

Operating Your Fireplace for the First Time

When operating your new fireplace for the first time, some vapors may be released due to the burning of curing compounds used in the manufacture of the appliance. They may cause a slight odor and could cause the flames to be the full height of the firebox, or even slightly higher, for the first few hours of operation. It is also possible that these vapors could set off any smoke detection alarms in the immediate vicinity.

These vapors are quite normal on new appliances. We recommend opening a window to vent the room. After a few hours use, the vapors will have disappeared and the flames will be at their normal height.

State of California. Proposition 65 Warning.

Fuels used in gas, wood-burning or oil fired appliances, and the products of combustion of such fuels, contain chemicals known to the State of California to cause cancer, birth defects and other reproductive harm. California Health & Safety Code Sec. 25249.6.

State of Massachusetts Carbon Monoxide Detector/Vent Terminal Signage Requirements

For all side wall horizontally vented gas fueled equipment installed in every dwelling, building or structure used in whole or in part for residential purposes, including those owned or operated by the Commonwealth and where the side wall exhaust vent termination is less than seven (7) feet above finished grade in the area of the venting, including but not limited to decks and porches, the following requirements shall be satisfied:

1. INSTALLATION OF CARBON MONOXIDE DETECTORS. At the time of installation of the side wall horizontal vented gas fueled equipment, the installing plumber or gas fitter shall observe that a hard wired carbon monoxide detector with an alarm and battery back-up is installed on the floor level where the gas equipment is to be installed. In addition, the installing plumber or gas fitter shall observe that a battery operated or hard wired carbon monoxide detector with an alarm is installed on each additional level of the dwelling, building or structure served by the side wall horizontal vented gas fueled equipment. It shall be the responsibility of the property owner to secure the services of qualified licensed professionals for the installation of hard wired carbon monoxide detectors.

a. In the event that the side wall horizontally vented gas fueled equipment is installed in a crawl space or an attic, the hard wired carbon monoxide detector with alarm and battery back-up may be installed on the next adjacent floor level.

b. In the event that the requirements of this subdivision can not be met at the time of completion of installation, the owner shall have a period of thirty (30) days to comply with the above requirements; provided, however, that during said thirty (30) day period, a battery operated carbon monoxide detector with an alarm shall be installed.

2. APPROVED CARBON MONOXIDE DETECTORS. Each carbon monoxide detector as required in accordance with the above provisions shall comply with NFPA 720 and be ANSI/UL 2034 listed and IAS certified.

3. **SIGNAGE.** A metal or plastic identification plate shall be permanently mounted to the exterior of the building at a minimum height of eight (8) feet above grade directly in line with the exhaust vent terminal for the horizontally vented gas fueled heating appliance or equipment. The sign shall read, in print size no less than one-half (1/2) inch in size, "GAS VENT DIRECTLY BELOW. KEEP CLEAR OF ALL OBSTRUCTIONS".

4. **INSPECTION.** The state or local gas inspector of the side wall horizontally vented gas fueled equipment shall not approve the installation unless, upon inspection, the inspector observes carbon monoxide detectors and signage installed in accordance with the provisions of 248 CMR 5.08(2)(a)1 through 4.

(b) **EXEMPTIONS:** The following equipment is exempt from 248 CMR 5.08(2)(a)1 through 4:

1. The equipment listed in Chapter 10 entitled "Equipment Not Required To Be Vented" in the most current edition of NFPA 54 as adopted by the Board; and

2. Product Approved side wall horizontally vented gas fueled equipment installed in a room or structure separate from the dwelling, building or structure used in whole or in part for residential purposes.

(c) **MANUFACTURER REQUIREMENTS - GAS EQUIPMENT VENTING SYSTEM PROVIDED.** When the manufacturer of Product Approved side wall horizontally vented gas equipment provides a venting system design or venting system components with the equipment, the instructions provided by the manufacturer for installation of the equipment and the venting system shall include:

1. Detailed instructions for the installation of the venting system design or the venting system components; and

2. A complete parts list for the venting system design or venting system.

(d) **MANUFACTURER REQUIREMENTS - GAS EQUIPMENT VENTING SYSTEM NOT PROVIDED.**

When the manufacturer of a Product Approved side wall horizontally vented gas fueled equipment does not provide the parts for venting the flue gases, but identifies "special venting systems", the following requirements shall be satisfied by the manufacturer:

1. The referenced "special venting system" instructions shall be included with the appliance or equipment installation instructions; and

2. The "special venting systems" shall be Product Approved by the Board, and the instructions for that system shall include a parts list and detailed installation instructions.

(e) A copy of all installation instructions for all Product Approved side wall horizontally vented gas fueled equipment, all venting instructions, all parts lists for venting instructions, and/or all venting design instructions shall remain with the appliance or equipment at the completion of the installation.

Approval & Codes

This appliance is certified to ANSI Z21.88-2009/ CSA 2.33-2009 American National Standard / CSA Standard for *Vented Gas Fireplace Heaters* for use in Canada and USA, and to CGA 2.17-91 *High Altitude Standard in Canada*. This appliance is for direct vent installations.

This appliance complies with CSA P4.1-09 *Testing method for measuring annual fireplace efficiencies*.

The installation must conform to local codes or, in the absence of local codes, with the *National Fuel Gas Code, ANSI Z223.1* or the *Natural Gas and Propane Installation Code CAN/CGA-B149*. Only qualified licensed or trained personnel should install this appliance.

This appliance must be electrically grounded in accordance with local codes, or, in the absence of local codes, with the *National Electrical Code, ANSI/NFPA 70* or the *Canadian Electrical Code, CSA C22.1*.

Ratings

| Model | N | P |
|-----------------------------------|---------------|--------------|
| Gas | Natural | Propane |
| Altitude (Ft.)* | 0-4,500 feet* | |
| Input Maximum (Btu/h) | 30,000 | 28,000 |
| Input Minimum (Btu/h) | 6,500 | 14,500 |
| Manifold Pressure (in w.c.) | 3.7" | 10.5" |
| Minimum Supply Pressure (in w.c.) | 5" | 11" |
| Maximum Supply Pressure (in w.c.) | 10" | 14" |
| Main Burner Injector Marking | Cat # 82-850 | Cat # 92-300 |
| Pilot Injector Marking | #51 | #30 |
| Min. Rate By-Pass Screw | #125 | #125 |

***High Altitude Installations**

Input ratings are shown in BTU per hour and are certified without deration for elevations up to 4,500 feet (1,370 m) above sea level.

For elevations above 4,500 feet (1,370 m) in USA, installations must be in accordance with the current ANSI Z223.1 and/or local codes having jurisdiction. Heating value of gas in some areas is reduced to compensate for elevation—consult your local gas utility to confirm.

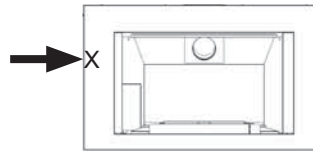
For installations at elevations above 4,500 feet (1,370 m) in Canada, please consult provincial and/or local authorities having jurisdiction.

Supply Gas

Heater engines 1300ILN and 1300IRN are used with natural gas.

Heater engines 1300ILP and 1300IRP are used with propane gas.

The supply pressure must be between the limits shown in the Ratings section above.



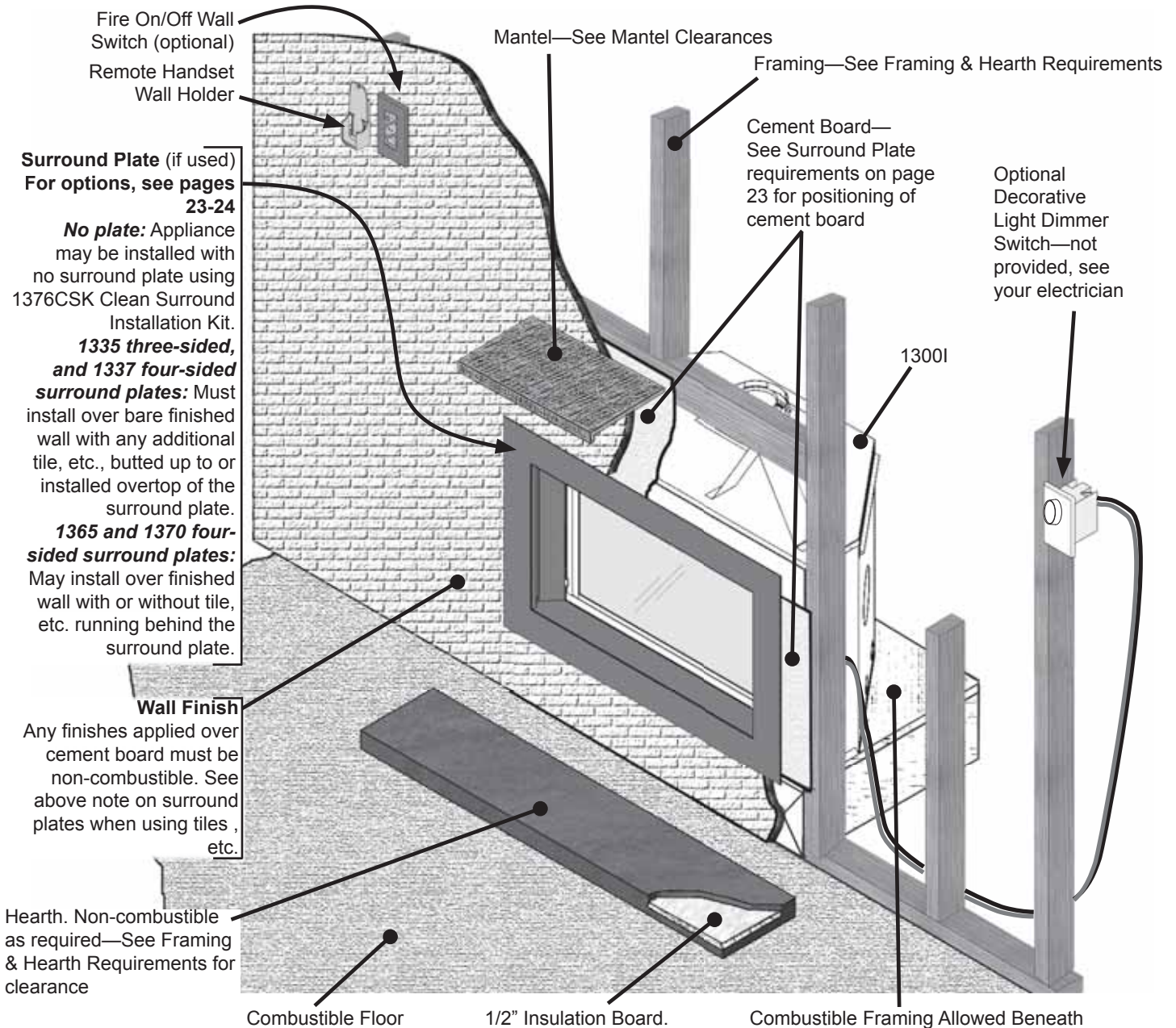
The supply connection is 3/8" NPT male and located on the left hand side of the firebox. A shut-off valve (not supplied) is required on the supply line to isolate the unit during service.

Conversion Kits

The 1300 Vogue is supplied as natural gas or propane gas and is field convertible between fuels. See instructions packaged with the conversion kit for further information.

Electrical

The 1300 does not require an electrical power source to operate as a heater. However, it requires electrical power to operate optional 1355LHK Lighting Harness Kit or 1270RBK Remote Blower Kit.



Surround Plate (if used)
For options, see pages 23-24

No plate: Appliance may be installed with no surround plate using 1376CSK Clean Surround Installation Kit.

1335 three-sided, and 1337 four-sided surround plates: Must install over bare finished wall with any additional tile, etc., butted up to or installed overtop of the surround plate.

1365 and 1370 four-sided surround plates: May install over finished wall with or without tile, etc. running behind the surround plate.

Wall Finish
Any finishes applied over cement board must be non-combustible. See above note on surround plates when using tiles, etc.

Hearth. Non-combustible as required—See Framing & Hearth Requirements for clearance

Combustible Floor

1/2” Insulation Board. Required under non-combustible hearth surfaces in some cases. See Framing & Hearth Requirements section.

Combustible Framing Allowed Beneath Fireplace. When the appliance is installed directly on carpeting, tile or other combustible material other than wood flooring, the appliance shall be installed on a metal or wood panel extending the full width and recessed depth of the appliance.

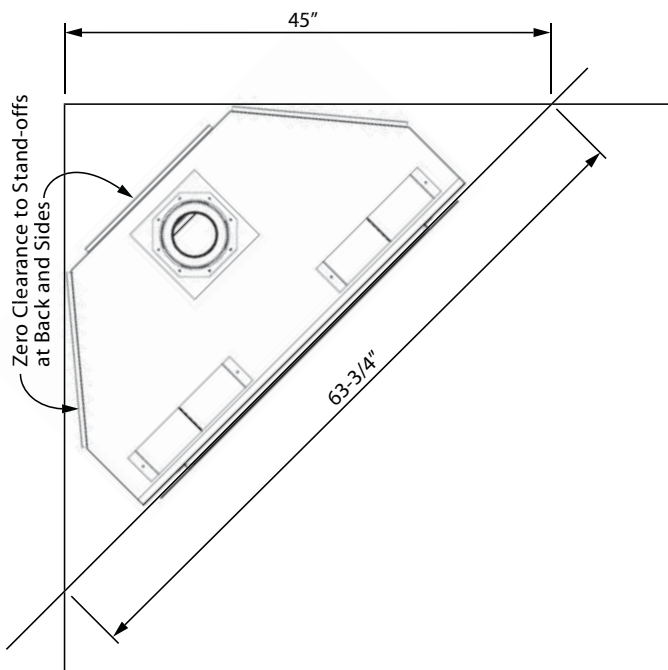
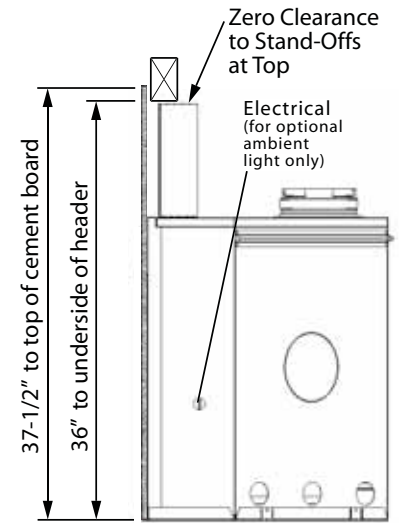
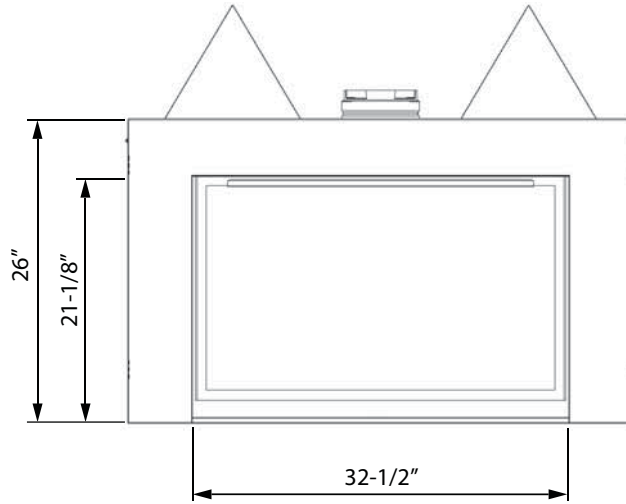
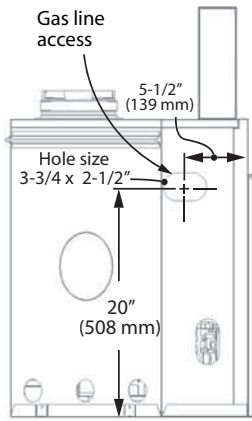
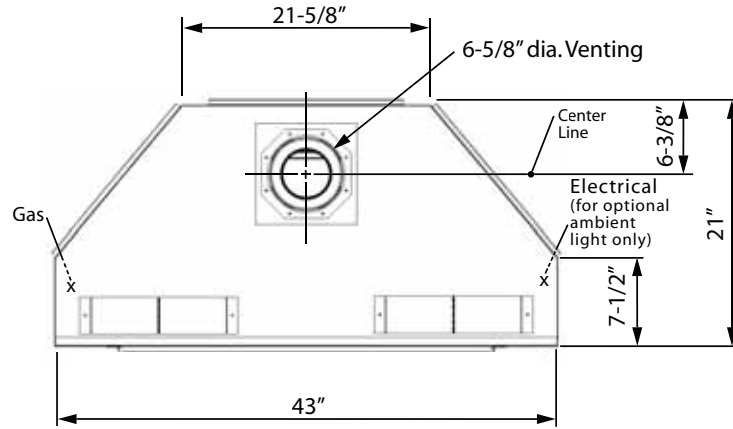
! See pages 23-24 BEFORE framing this appliance!

! WARNING
Some materials or items, although safe, may discolor, shrink, warp, crack, peel, and so on because of the heat produced by the fireplace. Avoid placing candles, paintings, photos, and other items sensitive to heat around the fireplace.

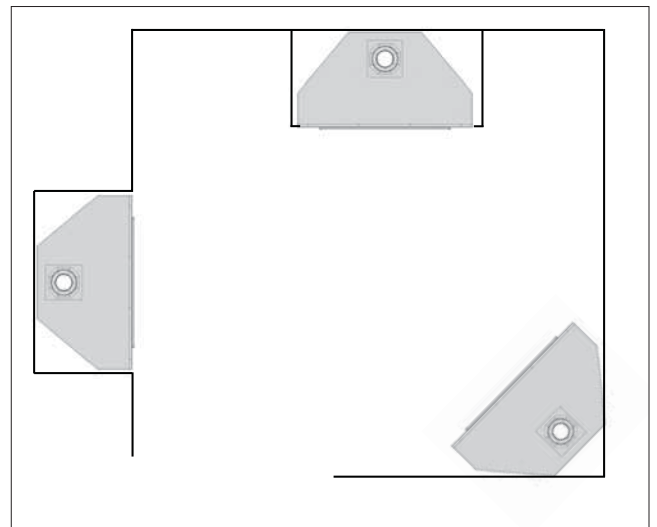
! WARNING
HOT HEARTH / FLOOR! The hearth or floor in front of the fireplace may become very hot when the fireplace heats. Do not use the hearth as a seat or shelf. Solid wood flooring in front of the fireplace (if allowed) may shrink during the heating season due to heat.

Dimensions & Location

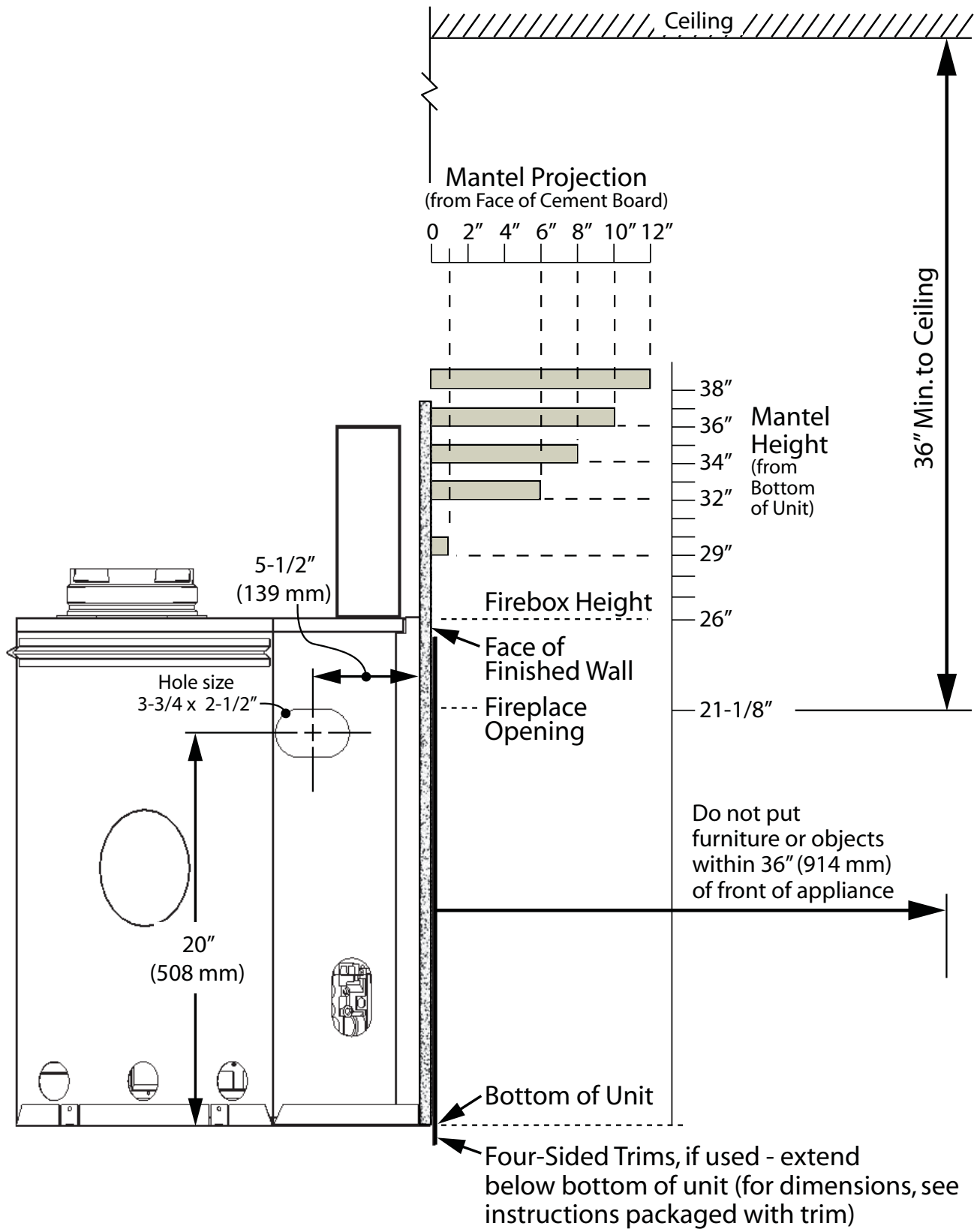
Dimensions



Location



Combustible Mantel—Left Side View



Left Side View

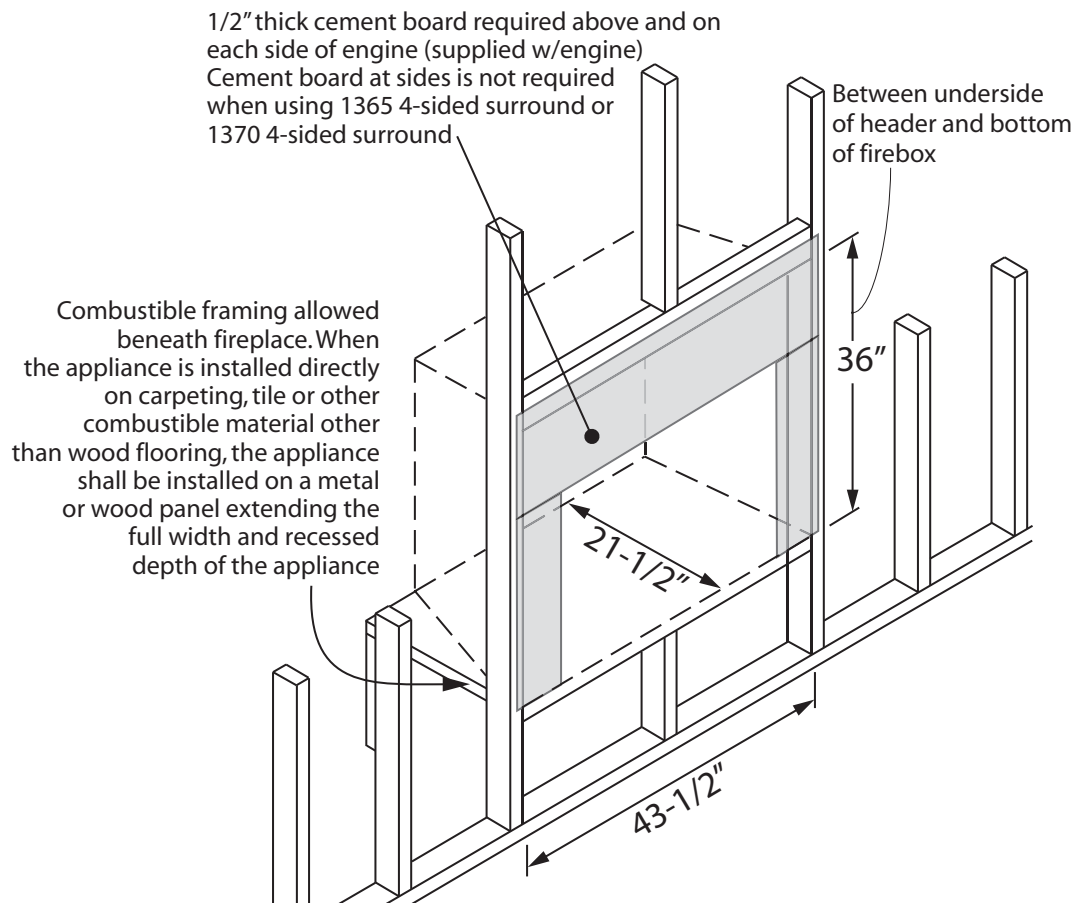
⚠ WARNING

SAFETY WARNING! The Vogue is a very effective radiant heater. The hearth/floor in front of the heater can get very hot. Locating the unit raised above the hearth/floor or adding a generic freestanding screen in front of the unit can greatly reduce hearth temperatures. When using a 3-sided trim or when the finishing does not include a trim, any hearth within 2 inches of the base of the heater must be constructed of non-combustible materials (see diagrams in the following pages). Note that some materials, although safe can degrade due to heat—take this into consideration when choosing materials.

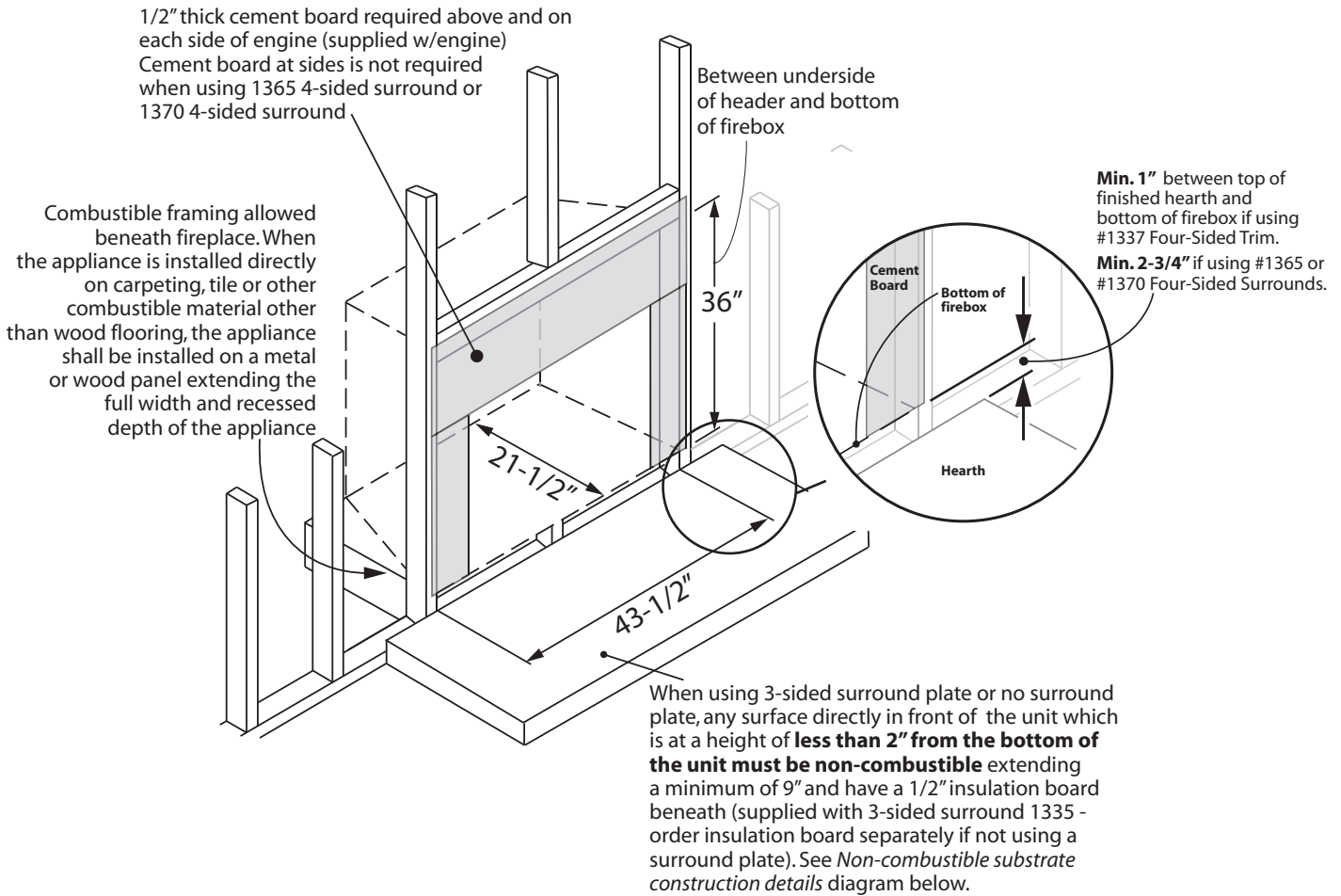
Rules

1. When using a 3-sided surround plate or no surround plate, any hearth/floor in front of fireplace less than 2 inches from bottom of unit must be non-combustible and project a minimum distance of 9 inches. The hearth/floor must have a non-combustible finish **applied over the 1/2 inch insulation board** provided with the 3-sided surround plate 1335. Order separately if not using a surround plate. This insulation board acts as a thermal break.
2. Combustible baseboards (1 inch thick or less) located on wall below base of unit are acceptable.
3. a) **With four-sided trims:** Unit will need to be raised in every case by minimum of 1 inch to accommodate a four-sided trim.
 b) **With three-sided trims or no trim:** Bottom of heater must be at least 2 inches above combustible hearth/floor finish in front. Non-combustible hearth applied over insulation board required if bottom of fireplace is less than 2 inches above combustible floor in front (see 1.).

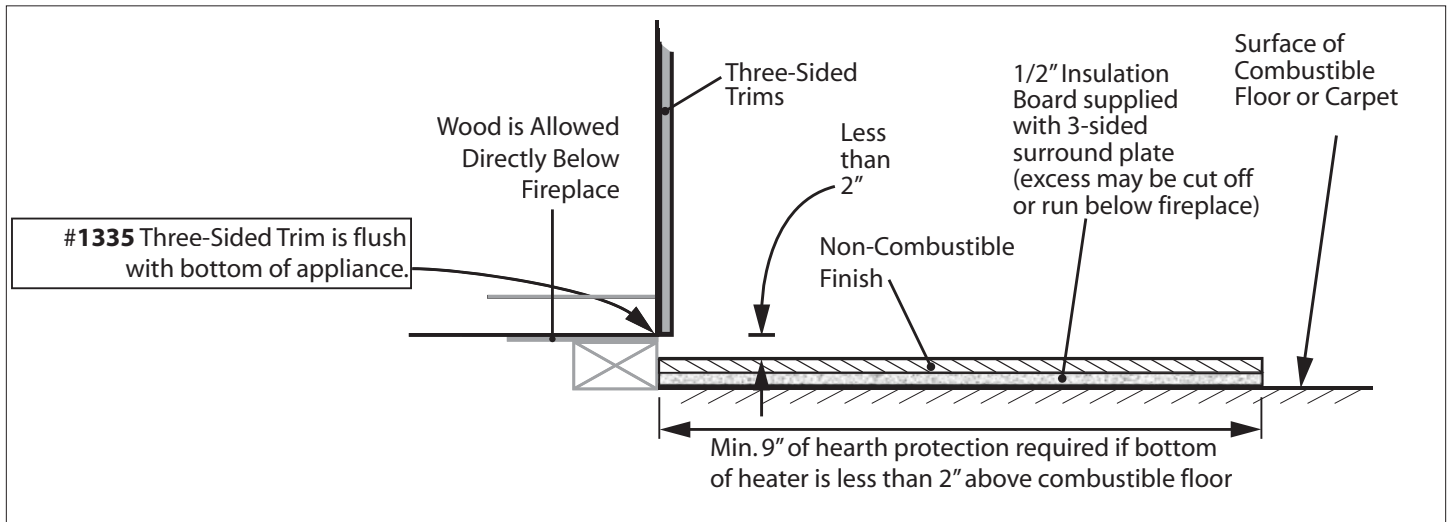
Framing Dimensions, unit raised on wall, without hearth



Framing Dimensions with Hearth



Non-combustible substrate construction detail - Required when using 3-sided surround plates or no surround plate and hearth/floor is within 2" of bottom of appliance



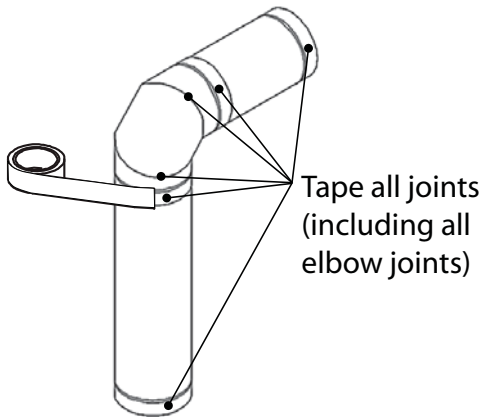
Vent Material

This unit is approved for installation using 4 x 6-5/8 in co-axial direct vent pipe and accessories as listed in the *Approved Venting Components* table on pages 44–45 of this manual. Follow the installation instructions supplied with the individual venting accessories.

This unit may also be converted to co-linear (2 x 3 in) venting for use in solid-fuel burning fireplaces and chimneys using adapters and accessories—see the *Approved Venting Components* table on pages 44–45 of this manual.

Vent Sealing

Seal all outer co-axial pipe joints, including elbows, with approved “high temperature” self-adhesive aluminum foil tape. Wrap the tape completely around all joints and press firmly to seal.

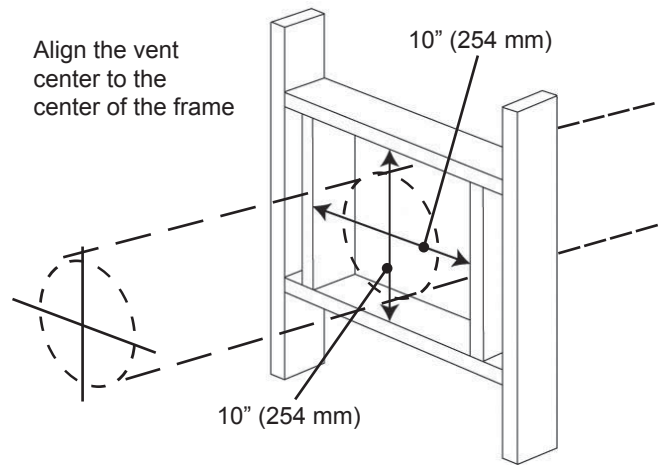


Wall Thickness

The appliance vent is suitable for penetrating a combustible wall assembly up to 8 inches in thickness. A non-combustible wall can be of any thickness up to the maximum horizontal run of vent pipe allowed for the particular installation.

Framing Vent in Combustible Walls & Ceilings

When penetrating through combustible walls and ceilings, frame a minimum of 10 in x 10 in opening and ensure that the insulation is kept clear of the vent pipe using either a wall thimble or an attic insulation shield. Follow the installation instructions supplied with the individual venting components.



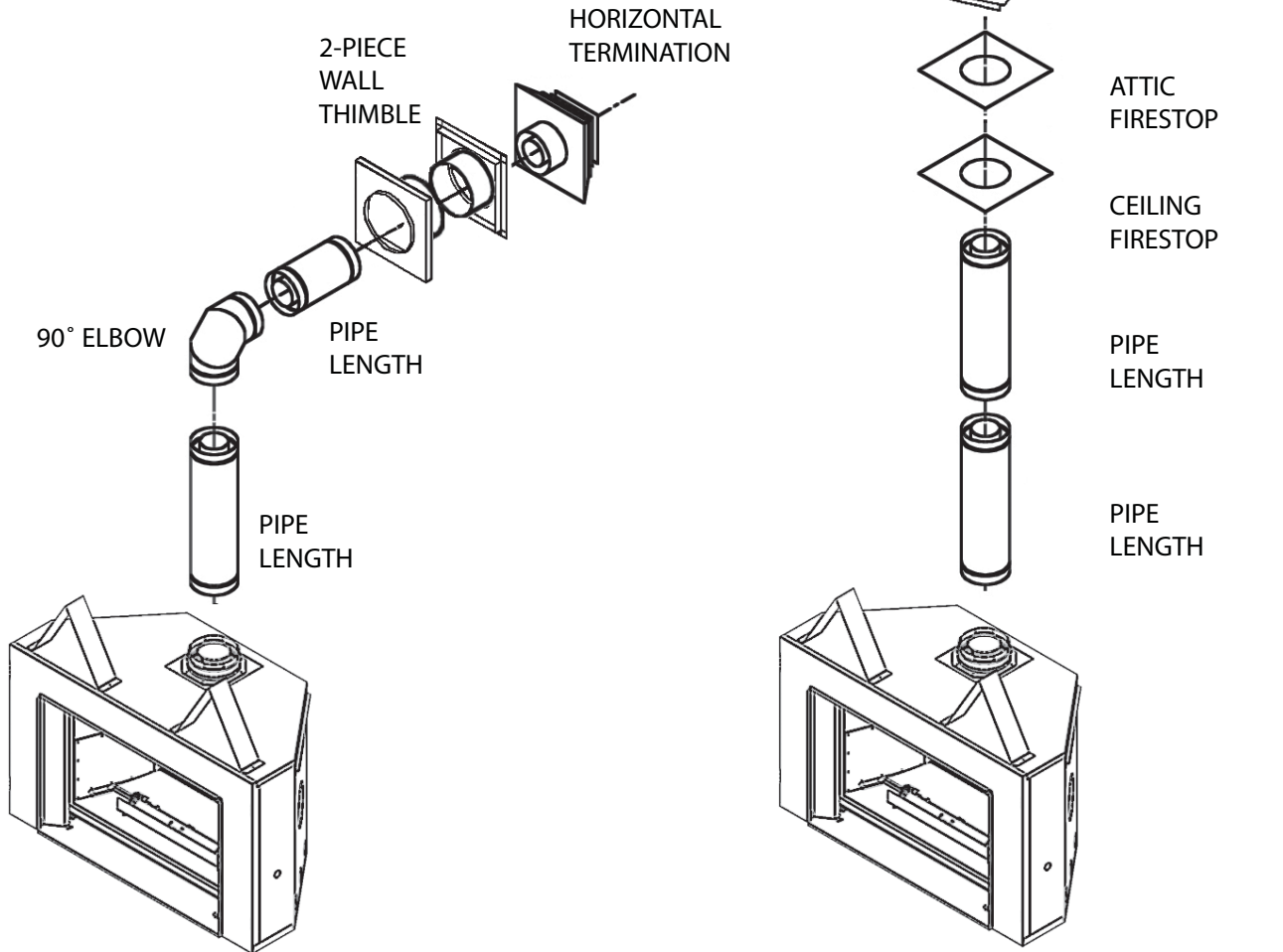
Important Installer Notice – Weather Sealing & Vapor Barriers

It is the installer’s responsibility to ensure that vent installations through exterior walls are caulked and weatherproofed in such a manner as to:

- Prevent rain water from entering the wall from the weather side by adequately caulking the outer vent plate to the exterior wall surface.
- Prevent moisture inside the home from penetrating into the wall structure by ensuring the inside wall plate is adequately sealed to the inside vapor barrier.
- Prevent rain water and moisture from entering the walls by sealing the joints between the outer vent tube and the inner and outer wall plates.

We recommend the use of a high quality polyurethane sealant.

Typical Co-axial Venting Components



How to Read the Venting Chart

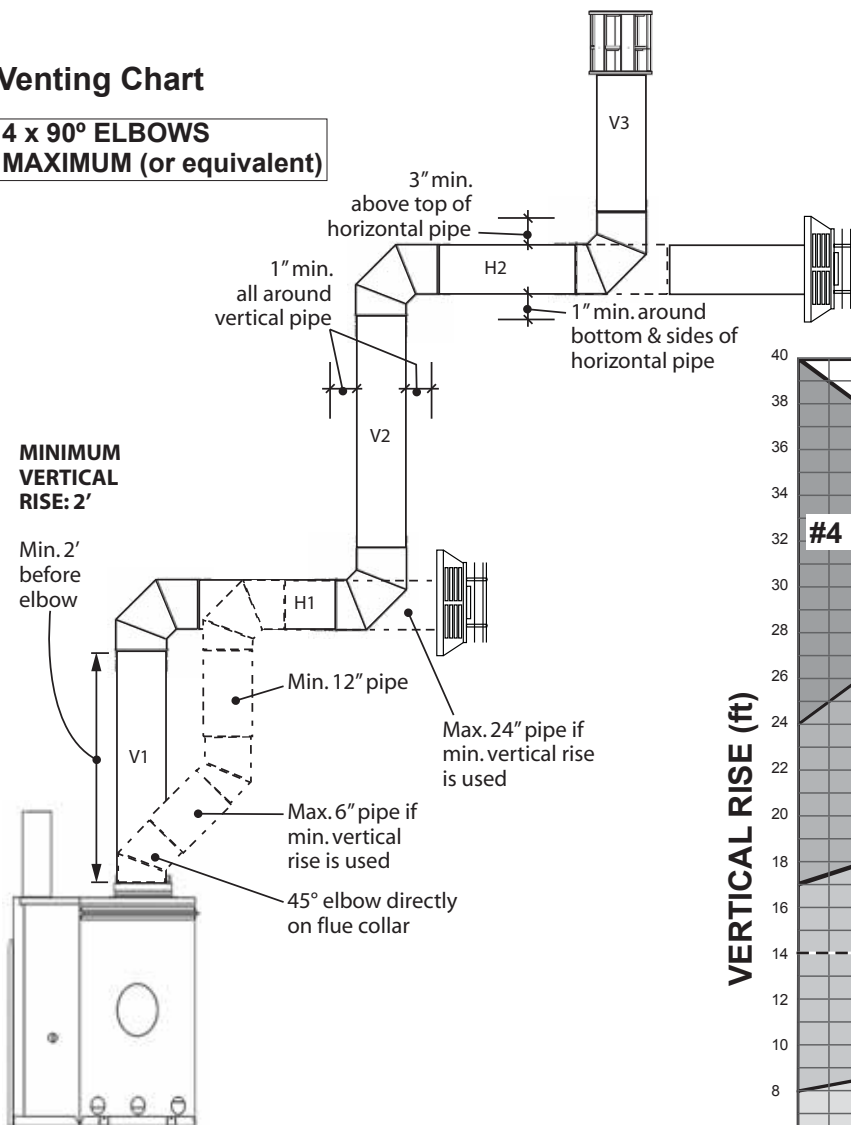
The chart below applies to co-axial roof or wall termination.

1. The total length of the vent pipe cannot exceed 40 feet.
2. The minimum vertical height with roof termination is 6 feet.
3. Any combination of rise and run can be used as long as they are within the allowable limits shown on the chart below.
4. A maximum of 4 x 90 degrees elbows—or equivalent (2 x 45 degrees = 90 degrees)—can be used.

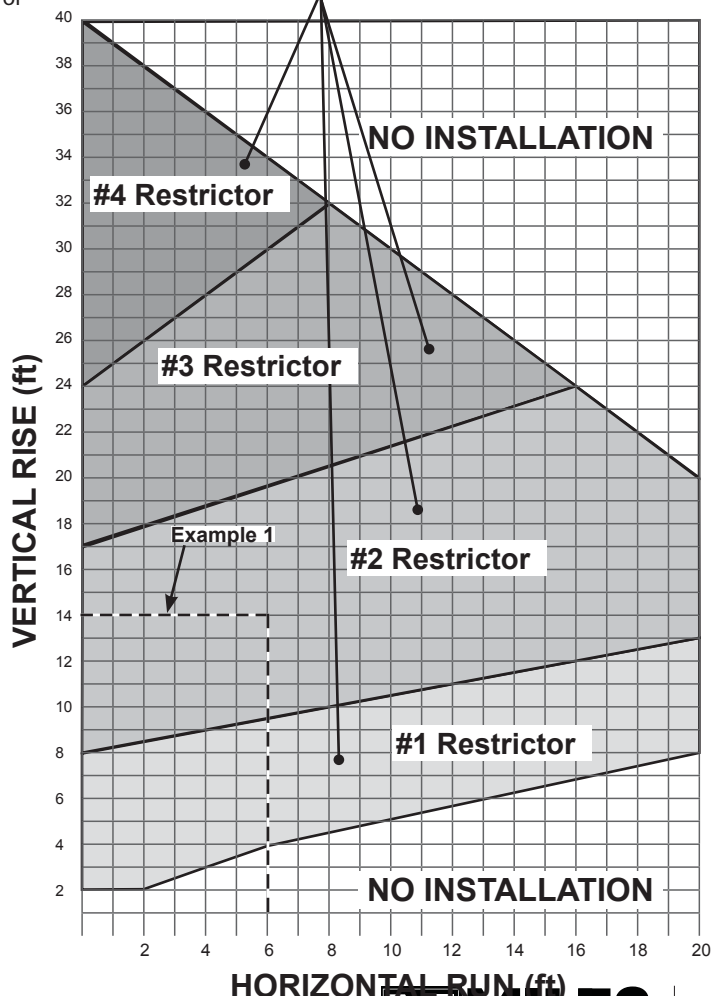
5. Each 90 degrees elbow installed on the horizontal plane is equivalent to a 3 feet horizontal pipe; therefore, 3 feet must be subtracted from allowable horizontal run. (45 degrees elbow is equivalent to 18 inches horizontal pipe.)
6. All horizontal pipe runs must be graded 1/4 inch per foot upwards in the direction of the exhaust flow. The final pipe length, when terminating through the wall may be graded downwards slightly to prevent water migration.
7. A restrictor is required for all installations—see next section.

Venting Chart

**4 x 90° ELBOWS
MAXIMUM (or equivalent)**



Allowable Co-Axial Vent Configurations



Example 1

V Value = V1 (6') + V2 (6') + V3 (2') = 14'

H Value = H1 (3') + H2 (3') = 6'

#2 Restrictor position required

Restrictor

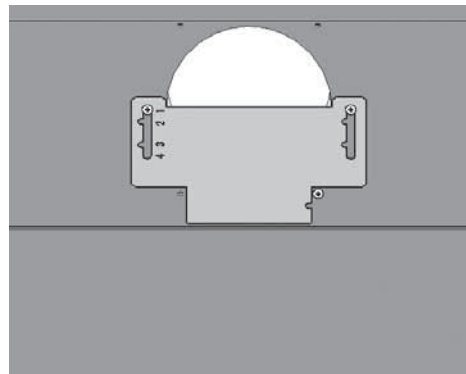
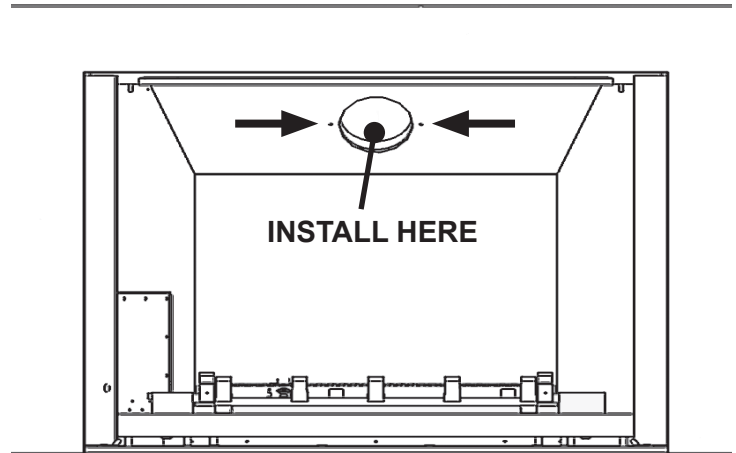
MANY INSTALLATIONS REQUIRE A RESTRICTOR for improved flame picture and performance. This unit is supplied with one restrictor having four different positions or settings. The level of restriction required depends on the vertical rise in the venting system and, to a lesser degree, the horizontal run and number of elbows.

The amount of restriction is based on laboratory tests. The ideal restrictor position may vary slightly, especially when the vent pipe length is near the limits of the acceptable configurations for each type of restrictor.

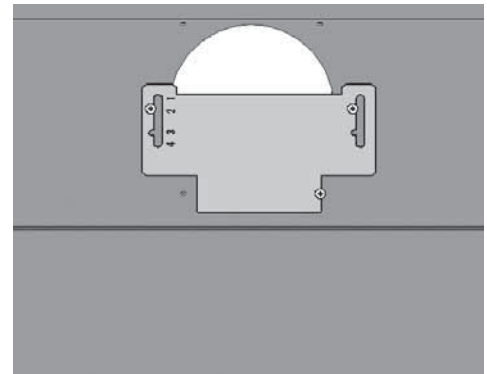
The chart on the previous page shows the vent restrictor required relative to the length of the vent pipe.

To install the restrictor:

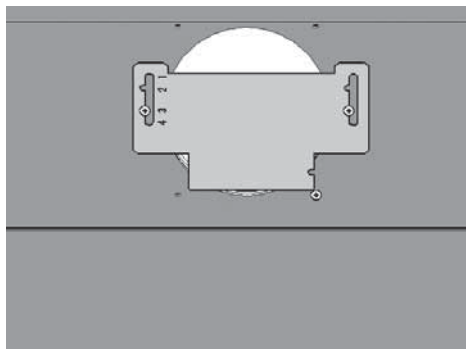
1. On an engine previously installed, open the panels on each side of the window. Remove the window skirt, the window, the logs, the right and rear top brick panels.
2. According to the installation, look up the venting chart on the previous page to know what position the restrictor should be fitted in.
3. Remove the screws (2) on each side of the **venting port in the firebox roof**.
4. Place the restrictor in the required position over the port aligning it with the two screw holes.
5. Fit the screws and tighten.
6. Continue the installation or, for an engine previously installed, replace the right and rear top brick panels, the logs, the window and the window skirt. Close the side panels.



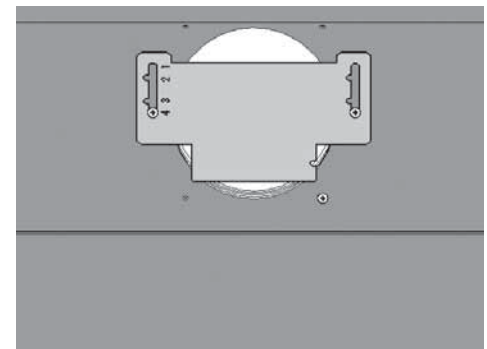
Position #1



Position #2



Position #3



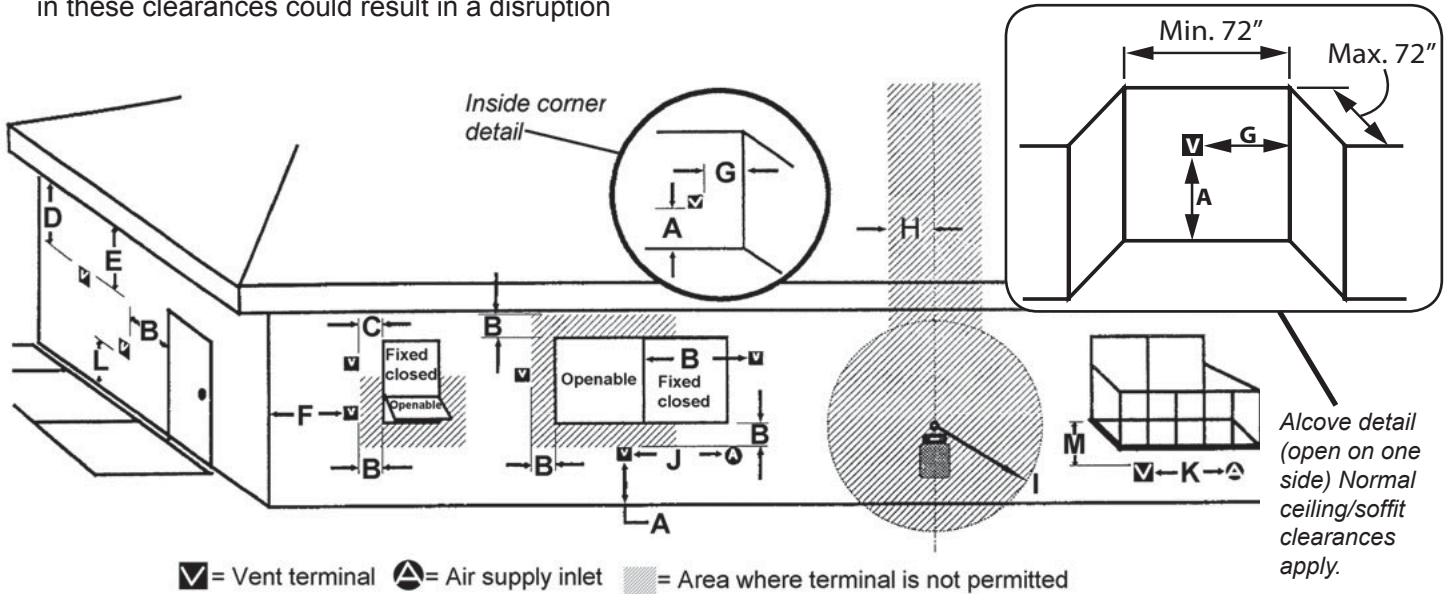
Position #4

Vent Termination

- The vent terminal must be located on an outside wall or through the roof.
- This direct vent appliance is designed to operate when an undisturbed airflow hits the outside vent terminal from any direction.
- The minimum clearances from this terminal that must be maintained when located on an outside wall are shown in the figure below. Any reduction in these clearances could result in a disruption

of the airflow or a safety hazard. Local codes or regulations may require greater clearances.

- The vent terminal must not be recessed into a wall or siding.
- The vent terminal should be positioned where it will not be covered by snowdrifts.
- Sidewall vent terminations within 7' of grade require a terminal guard.



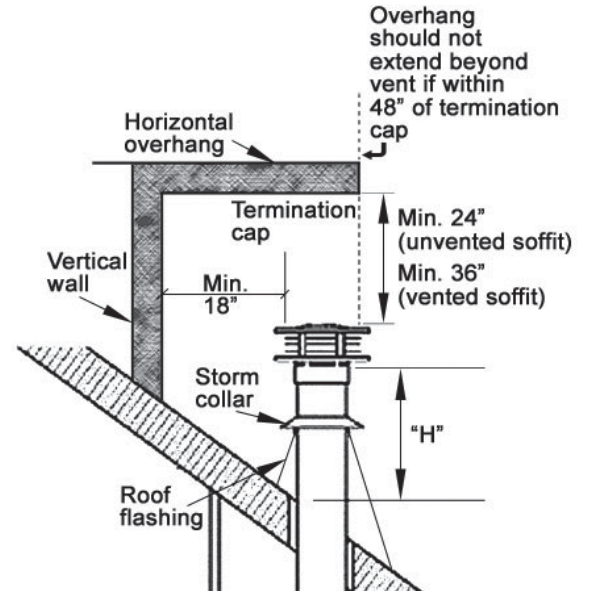
| KEY | VENT TERMINAL LOCATIONS - MINIMUM DISTANCES | MINIMUM CLEARANCE | |
|-----|---|-------------------|-----|
| | | Inches | Cm |
| A | Clearance above grade, verandah, porch, deck or balcony | 12 | 30 |
| B | Clearance to window or door that may be opened | 12 | 30 |
| C | Clearance to permanently closed window (recommended to prevent condensation on window) | 12 | 30 |
| D | Vertical clearance to ventilated soffit located above the terminal within a horizontal distance of 2 feet (60 cm) from the center-line of the terminal | 18 | 46 |
| E | Clearance to unventilated soffit | 12 | 30 |
| F | Clearance to outside corner | 12 | 30 |
| G | Clearance to inside corner | 12 | 30 |
| H | Horizontal clearance to center-line of meter/regulator assembly located within 15 feet (4,6 m) below the terminal | 36 | 90 |
| I | Clearance to service regulator vent outlet | 36 | 90 |
| J | Clearance to non-mechanical air supply inlet to the building or the combustion air inlet to any other appliance | 12 | 30 |
| K | Clearance to a mechanical air supply inlet | 72 | 180 |
| L | Clearance above paved sidewalk or a paved driveway located on public property Note: A vent must not terminate directly above a sidewalk or paved driveway, which is located between two single-family dwellings and serves both dwellings | 84 | 210 |
| M | Clearance under a verandah, porch, deck or balcony Only permitted if veranda, porch, deck or balcony is fully open on a minimum of 2 sides beneath the floor | 12 | 30 |

Note: Local codes and regulations may require different clearances.

Co-Axial Venting

Vertical Vent Termination

| Roof Pitch | Minimum "H" (feet) |
|---------------------|--------------------|
| Flat to 7/12 | 1' |
| Over 7/12 to 8/12 | 1.5' |
| Over 8/12 to 9/12 | 2' |
| Over 9/12 to 10/12 | 2.5' |
| Over 10/12 to 11/12 | 3.25' |
| Over 11/12 to 12/12 | 4' |
| Over 12/12 to 14/12 | 5' |



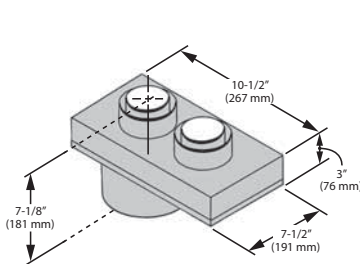
Co-Linear Venting

Conversion to Co-Linear Liners using generic Co-Linear Adapters

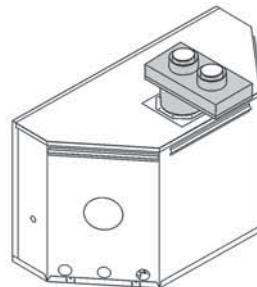
Co-linear portion of vent system may only be installed within a solid-fuel burning fireplace and chimney. The appliance must not be connected to a chimney flue serving a separate solid-fuel burning appliance. Requires a Co-Axial to Co-Linear appliance Adapter, two lengths of 2-ply 3" dia. flexible chimney liner approved for venting gas appliances, a co-linear termination kit and flashing or a co-linear to co-axial adapter and either a high wind vertical vent terminal cap or a low profile vertical termination. *Firebox top zero clearance stand-offs supplied with the heater are not required for this application.*

Rules for Co-Linear Venting

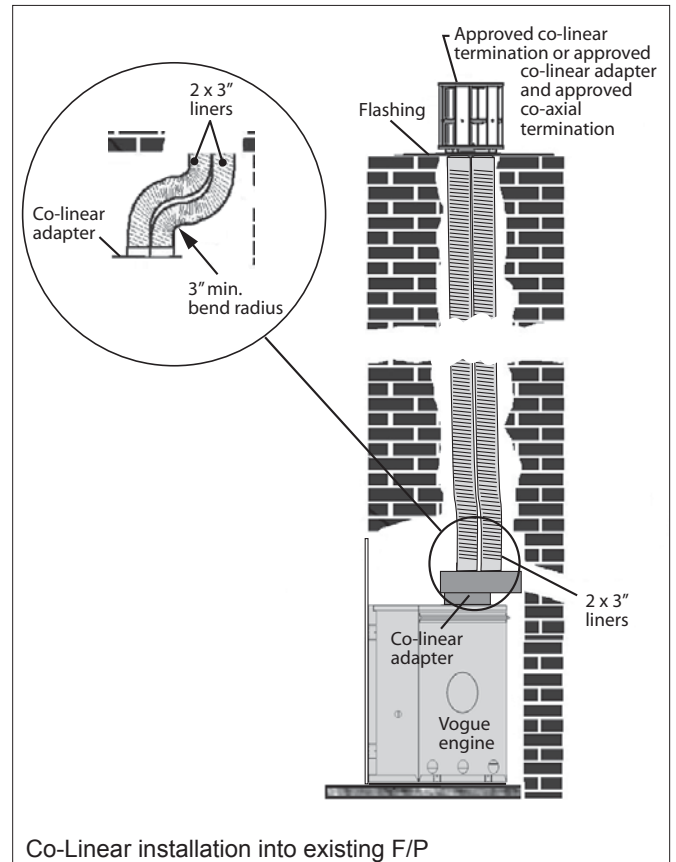
- Maximum 40 feet vertical pipe
- Minimum 10 feet vertical
- Maximum offset 8 feet with liners at minimum 45 degrees from horizontal plane
- Restrictor: Use #4 position for all co-linear installations—refer to page 17 for restrictor positioning.



Dura-Vent #46DVA-GCL
Co-Axial to Co-Linear Adapter



Vogue with co-linear adapter

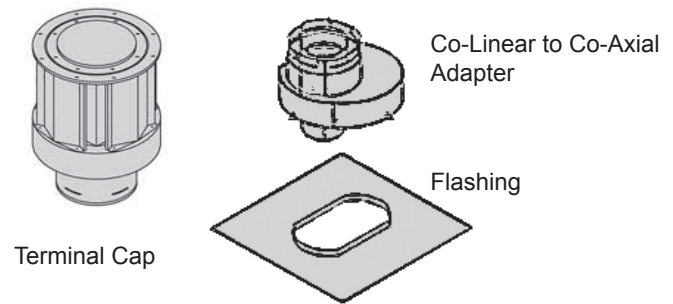


Co-Linear installation into existing F/P

Co-linear terminal configurations



Alternate to 559CLT/559FSK Conversion



Installation Planning

Installer—READ THIS FIRST

1. YOU NEED TO KNOW FROM THE HOMEOWNER:

- The height of the floor or hearth finish;
- The thickness and type of the wall finish around the firebox opening;
- What accessories (trim, decorative lighting, remote control wall switch, etc.) will be installed with this fireplace;
- The venting configuration.

2. Unpack the appliance.
3. Check that you have everything.
4. Finish the framing.
5. If you are using the 1376CSK Clean Surround Installation Kit, install it now.
6. Fit the appliance into framing.
7. Fix the appliance to the framing.
8. Install the venting system.
9. Position the restrictor.
10. Connect and test the gas supply.
11. Install the ceramic liners, fuel bed and rocks.
12. Refit the window.
13. Connect the electrical wiring for optional decorative light if used.
14. Install the optional wall switch if required.
15. Put the batteries in receiver and remote control handset.
16. Initialize the remote control system.

17. Verify the operation and adjust aeration settings.
18. Install the remote control handset wall holder.
- 19. Instruct the homeowner on the operation and maintenance of the fireplace.**
20. Install the Trim Kit if required.
21. Finish the wall around the fireplace.

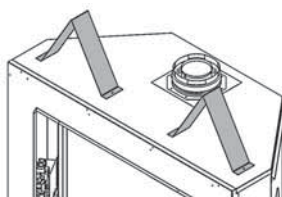
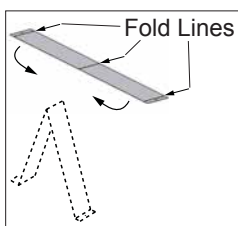
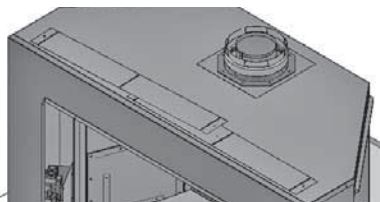
Unpacking the appliance

To assist you, we have included the cement that may be required in the installation. The boards may need to be removed and reinstalled. One of the boards is fixed temporarily to the back of the appliance for transportation purpose. When disassembling the crate into which the appliance is located, be careful not to damage this board.

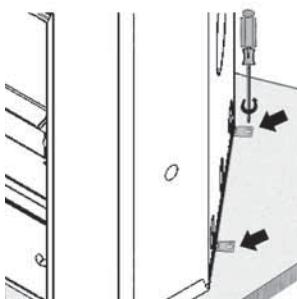
Beware of sharp edges! Wear gloves!

1. Remove the cardboard wrapping and the wood pallet from the appliance and discard.
2. Remove the cement board from the rear of the appliance and *set aside with screws* for future use.
3. Unpack any loose items from around the appliance.
4. Remove the window and set aside in a safe place to avoid damage—see next page.
5. **Verify that you have all the components required for the installation, including:**
 - *liners and rocks (in separate carton);*
 - *trim kit;*
 - *venting components and accessories;*
 - *electrical components if installing optional decorative light wall switch.*
6. The standoffs are supplied flat on the firebox and fixed at one end. Bend them as shown and fix the loose end to the top of the firebox.

8. Taking great care not to cut your hands on the sheet metal edges, lift the appliance out of its packing base and place in the framing. *Make sure that the unit is at the right height with consideration to the trim and the height of the hearth or combustible flooring.*



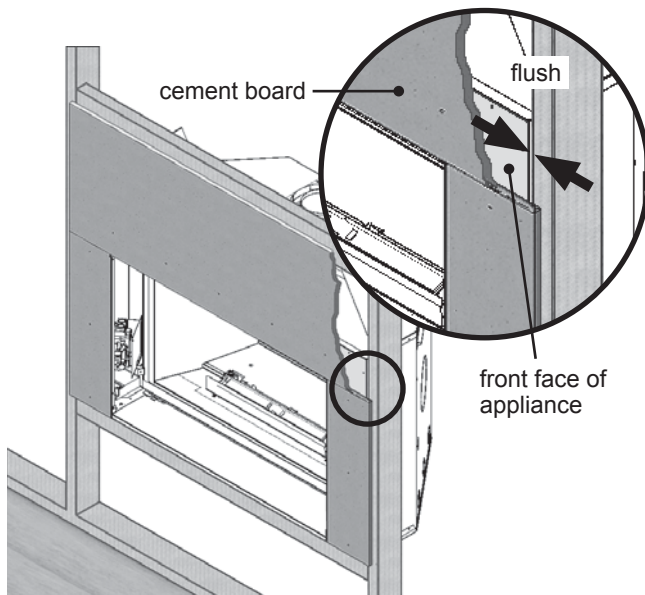
7. Remove the 4 screws retaining the engine to its pallet.



Fitting the appliance into framing

Recess the appliance in the framing in accordance with the surround trim that will be used (if any) and the wall finish details. NOTE: There are three options to consider when positioning the appliance in the framing. Options 1 and 2 are for installations using a surround trim. If you are using a surround trim and you want tile, etc., installed behind, you must use Option 2 when positioning the appliance into the framing.

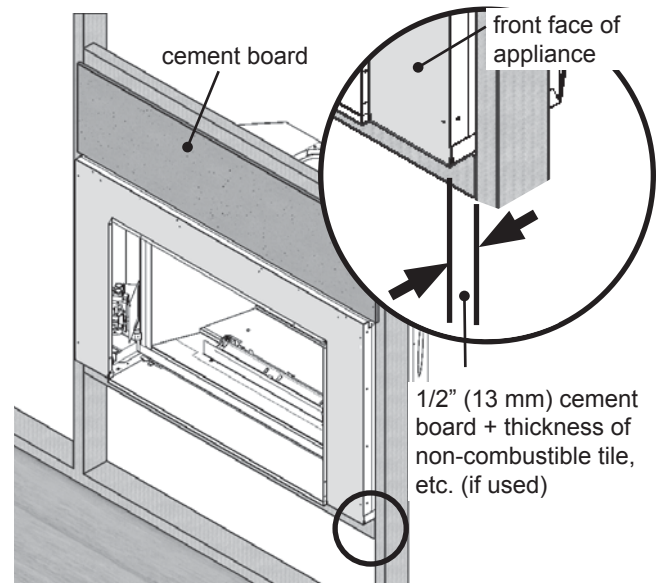
OPTION 1—with 1335 or 1337 Trims (narrow), Appliance FLUSH to Framing



Option 1—with 1335 or 1337, Flush

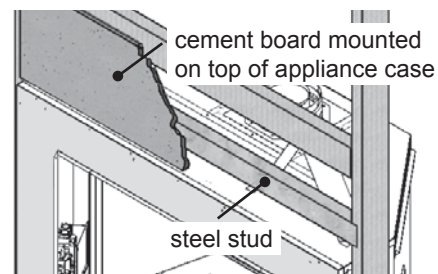
- Sheet metal front face of the appliance is flush with the framing studs.
- Cement board required on top and on each side of the appliance's opening.
- Additional finishes such as tile, etc., can be butted up to or installed overtop of edge of surround trim. There is no space to install tiles behind the 1335 and 1337 trims.
- Incorporate the hearth insulation board (supplied with the 3-sided surround plate 1335) in the construction of the hearth as required, following the guidelines provided in the *Framing & Hearth Requirements* section of this manual.

OPTION 2—with 1365 or 1370 Trims (wide), Appliance PROTRUDING from Framing



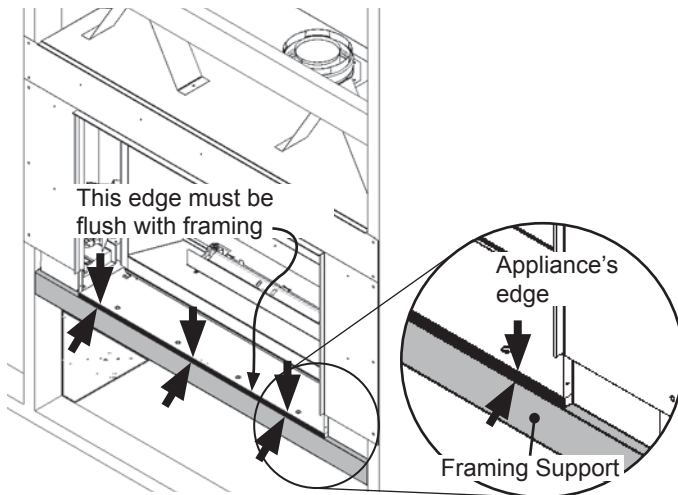
Option 2—with 1365 or 1370, Protruding

- Sheet metal front face of the appliance protrudes in front of the framing studs by 1/2" (13 mm) plus thickness of any non-combustible material over top, such as tiles.
- Cement board side pieces are not required for this option. Top cement board piece may be cut as necessary to span from top surface of appliance to the header above. A steel stud (not supplied) may be added to support the lower edge of the board if necessary.



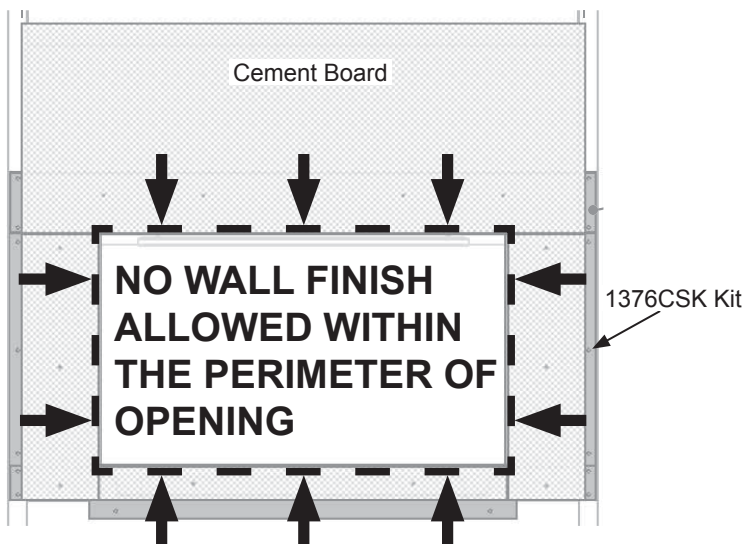
- Drywall install up to sides of appliance.
- Surround can be installed flat against or floating from the finished wall surface.

OPTION 3—No Trim (1376 Kit), Appliance RECESSED into Framing



Option 3—with 1376, Recessed

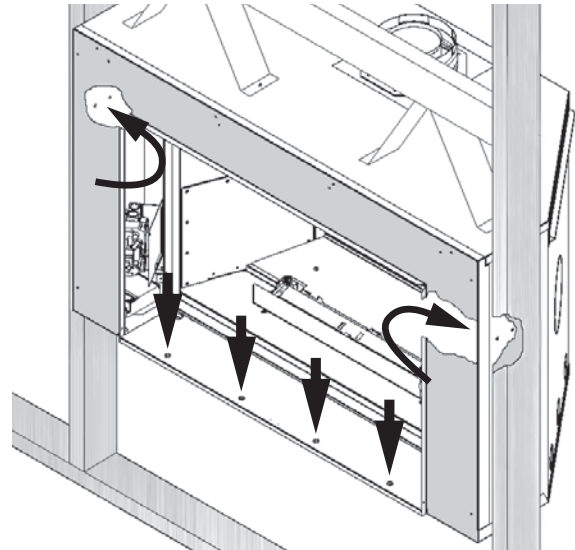
- Follow installation instructions provided with 1376CSK Clean Surround Installation Kit.
- Appliance recessed 1/2 inch (13 mm) into framing so that its bottom front panel edge is flush with the framing. **Follow installation instructions supplied with 1376CSK Kit.**
- Cement board required on top, on each side, and on the bottom of the appliance's opening for this option. (Bottom piece supplied with 1376CSK Kit).



- Drywall (or combustible material) installs up to outside perimeter of cement board.
- Tile (or non-combustible material) may be installed overtop of cement board up to the appliance's opening.

Fixing the appliance to the framing

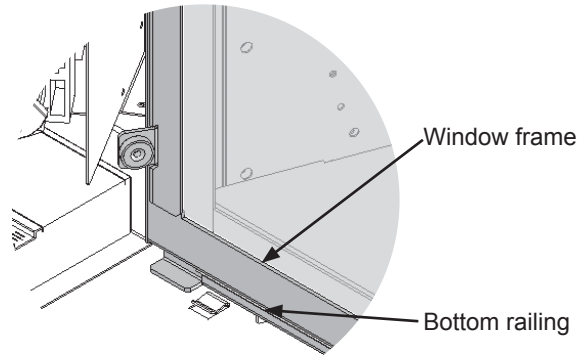
1. Screw the appliance to the floor or wood surface with 4 countersunk wood or cement screws (not provided).



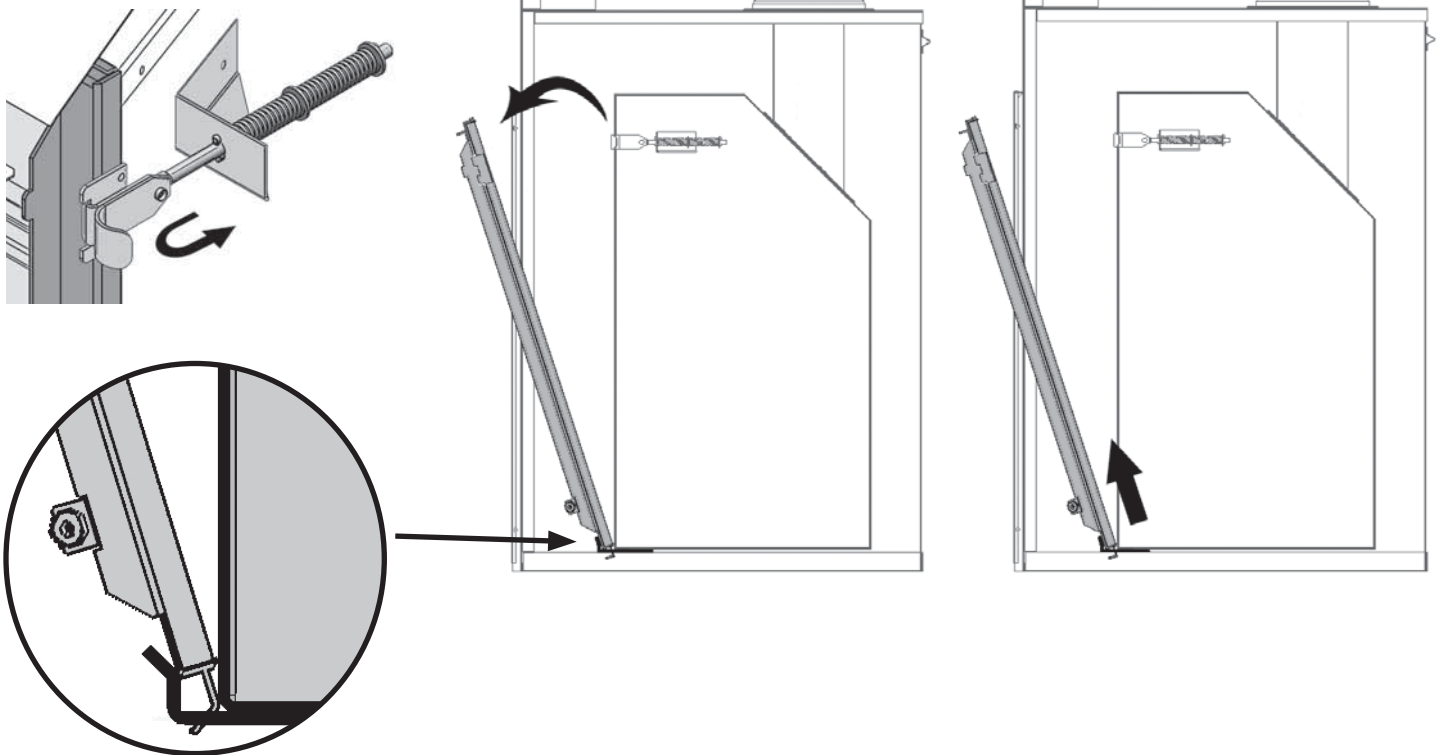
2. Screw the appliance to the side studs from the inside of the appliance case behind the side doors—1 screw each side.
NOTE: Fasteners may be adjusted later after the wall finish is completed and the trim or surround (if any) is applied.

The window is held in place by a spring-loaded lever on each side.

1. To remove the window, locate the levers on each side of the window towards the top. Using your finger, pull the lever towards you and unhook it from the window frame bracket.
2. Gently pull the top of the window outward.
3. Lift the window out of its bottom railing and set it aside in a safe place to avoid damage.

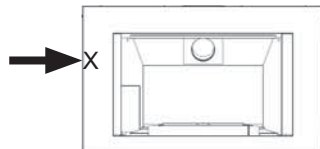


Section Views



Supply Gas installation

The gas supply inlet connection is a 3/8" NPT male connector and is located on the left hand side of the firebox.



Use only new black iron or steel pipes or copper tubing if acceptable—check local codes. Note that in USA, copper tubing must be internally tinned for protection against sulfur compounds.

Unions in gas lines should be of ground joint type.

The gas supply line must be sized and installed to provide a supply of gas sufficient to meet the maximum demand of the appliance without undue loss of pressure.

Sealant used must be resistant to the action of all gas constituents including LP gas. Sealant should be applied lightly to male threads to ensure excess sealant does not enter gas lines.

Supply Gas Installation

The unit is supplied with a stainless steel flex line to allow the appliance to be disconnected for service. The flex line is supplied loose to avoid damage during shipping. Connect the flex to the appliance valve as shown below. An individual shut-off valve (not supplied) is required on the supply line ahead of the flex connector.

Pressure test the supply line for leaks.

The appliance and its individual shut-off valve must be disconnected from the gas supply piping system during any pressure testing of that system at test pressures in excess of 1/2 psig (3.5 kPa).

The appliance must be isolated from the gas supply piping system by closing its individual manual shut-off valve during any pressure testing of the gas supply piping system at test pressures equal to or less than 1/2 psig (3.5 kPa).

Failure to either disconnect or isolate the appliance during pressure testing may result in regulator or valve damages and void the warranty. Consult your dealer in case of damages.

Pressure Test Points

The minimum supply pressure is given in the section *Specifications* of this manual—page 8.

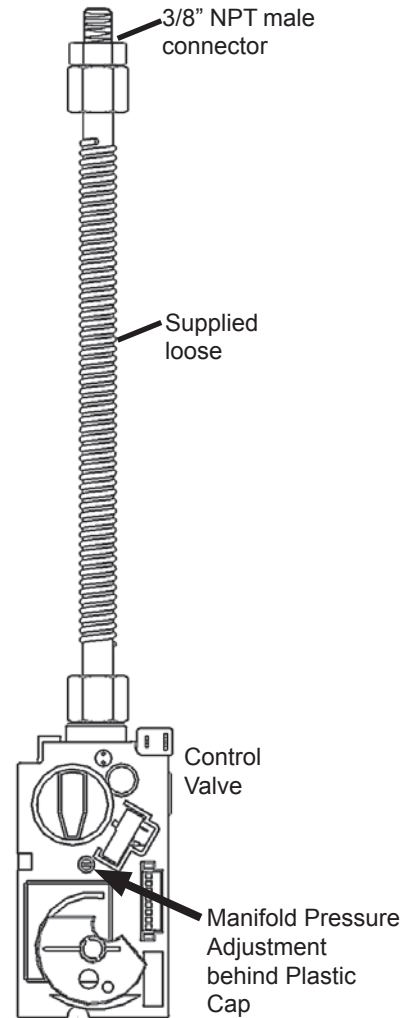
All piping and connections must be tested for leaks after installation or servicing. All leaks must be corrected immediately.

When testing for leaks:

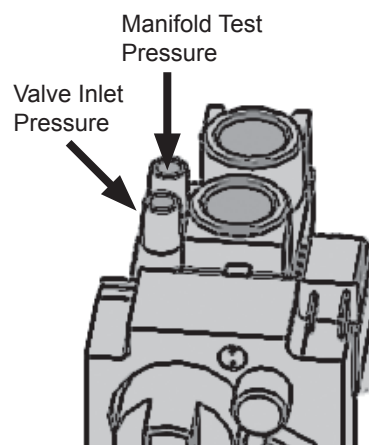
- Make sure that the appliance is turned off.
- Open the manual shut-off valve.
- Test for leaks by applying a liquid detergent or soap solution to all joints. Bubbles forming indicate a gas leak.

**Never use an open flame to check for leaks.
Correct any leak detected immediately.**

The pressure test tapping locations are shown in the figures above. An internal regulator within the valve controls the burner manifold pressure. The correct pressure range is shown in the table in section *Specifications* of this manual on page 8. The pressure check should be made with the burner alight and at its highest setting. See *Lighting Instructions* section for full operating details on page 42.



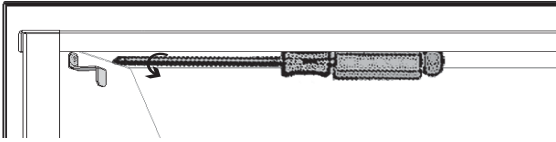
Valve Assembly



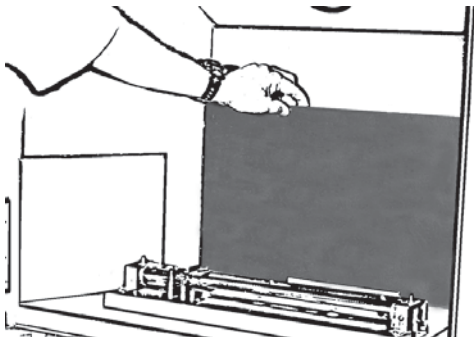
Pressure Testing

The following guidelines apply to all liners.

1. Inside the firebox, on the top of each side, release the screw of the side brick anchors (one per side).



2. Place the rear panel against the back of the firebox, behind the retainer at bottom.

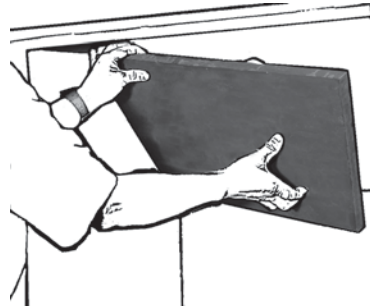


3. Hold the left hand side panel at an angle and insert it totally inside the firebox, **behind the top outer edge of the firebox**. This will greatly facilitate the installation. Slide the bottom first and then the top against the side of the firebox. Rotate the side brick anchor to hold the panel in place.

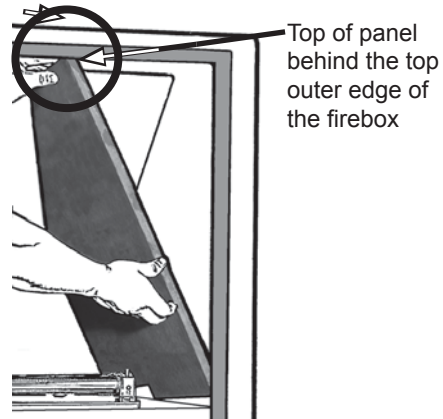


Top of panel behind the top outer edge of the firebox

4. Place the top panel over the top edge of the rear and side panels. Leave the panel to balance there until right hand side panel is installed.

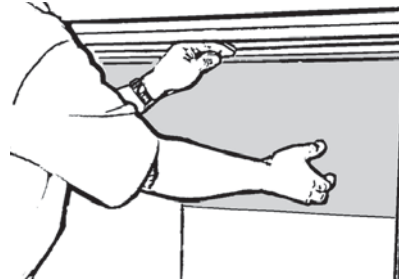


5. Hold the right hand side panel at an angle and insert it totally inside the firebox, **behind the top outer edge of the firebox**. This will greatly facilitate the installation. Slide the bottom first and then the top against the side of the firebox. You may have to lift the top panel slightly to avoid scratching it. Rotate the side brick anchor to hold the panel in place.

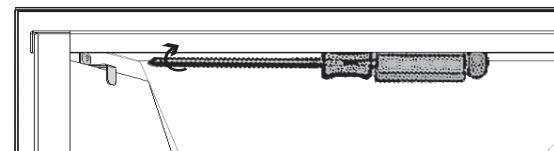


Top of panel behind the top outer edge of the firebox

6. Make any adjustment by moving the rear top panel slightly.



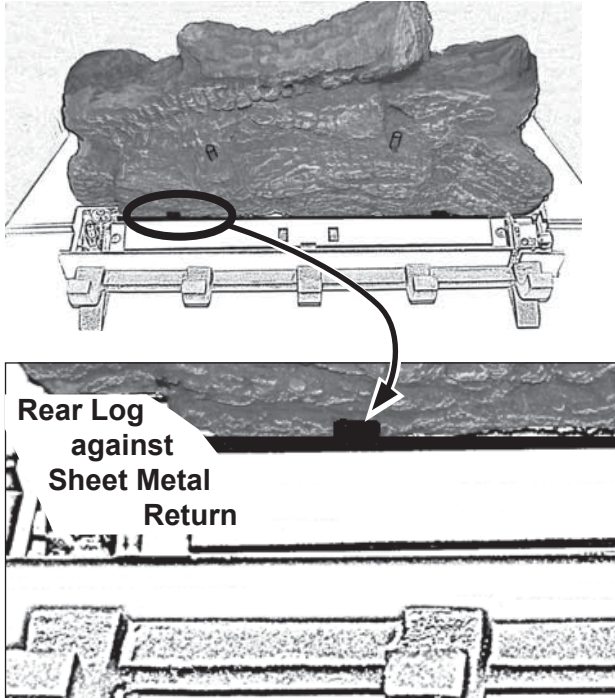
7. Tighten the side brick anchors on each side of the firebox.



Logs Installation (1300IL)

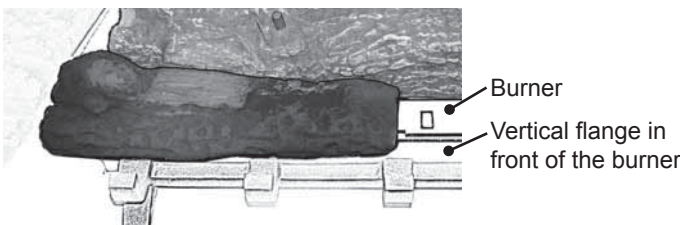
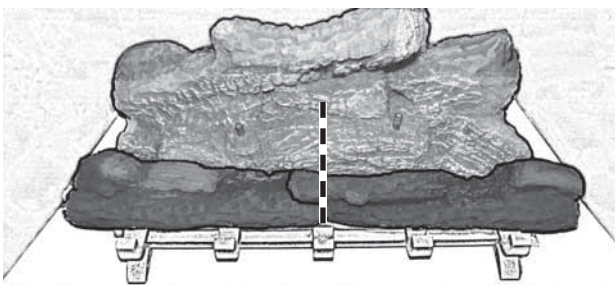
Please note that the position of the logs is critical to insure proper performance of the appliance.

1. Place the rear log centering it side to side in the firebox. Position forward until it sits against the sheet metal return behind the burner.

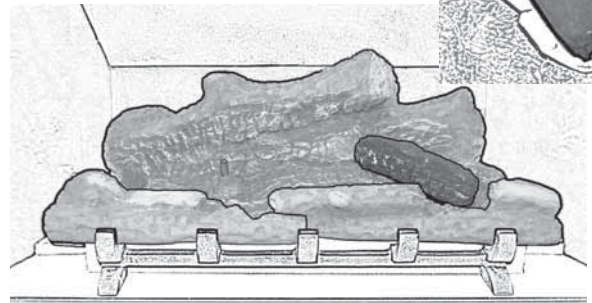


2. Place the front left log on top of the burner with its front edge resting on the vertical flange in front of the burner.
3. Place the front right log on the top of the burner with its left end abutted to the front left log and its front edge resting on the vertical flange in front of the burner.

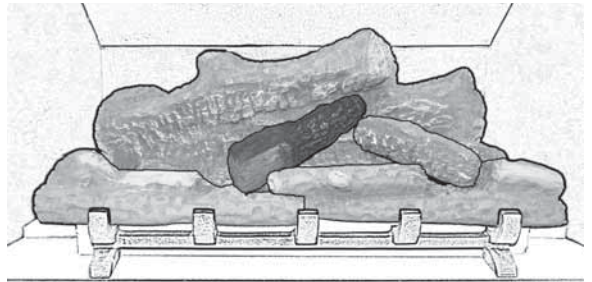
Center the front logs side to side in relation to the firebox. The seams of the two front logs align with the middle peg of the cast grate.



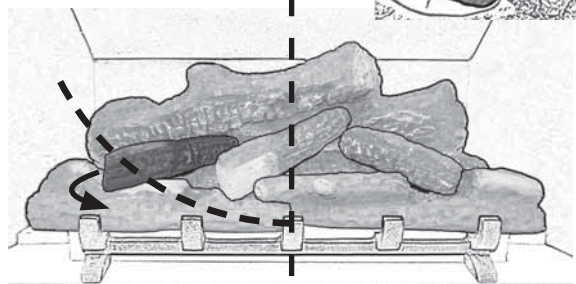
4. Identify the right cross log; it has a hole under one of its ends and it is the shortest cross log. Place it on the right pin located on the rear log. Rest its other end in the crook of the front right log.



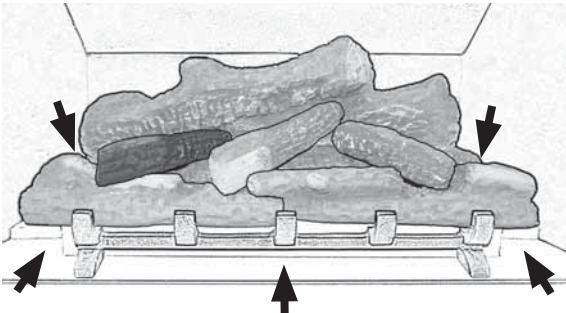
5. Identify the middle cross log. It does not have a hole underneath. Place its narrow end on the flat depression in the rear log next to the right cross log. Place its wider end on the front log.



6. Identify the left cross log; it has a hole under its narrow end. Place its narrow end on the pin located on the rear log. Rest its wider end on the crook in the front left log at an angle of approximately 30 degrees from the center line of the fireplace to allow for the flame to come up in front of the rear log.



Optional. Two bags of loose coals are included with the appliance. If desired, the coals can be distributed on the bottom of the firebox on each side of the log set and in front of the cast grate.

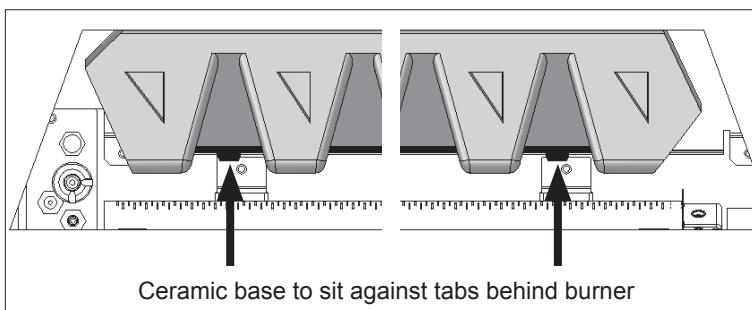
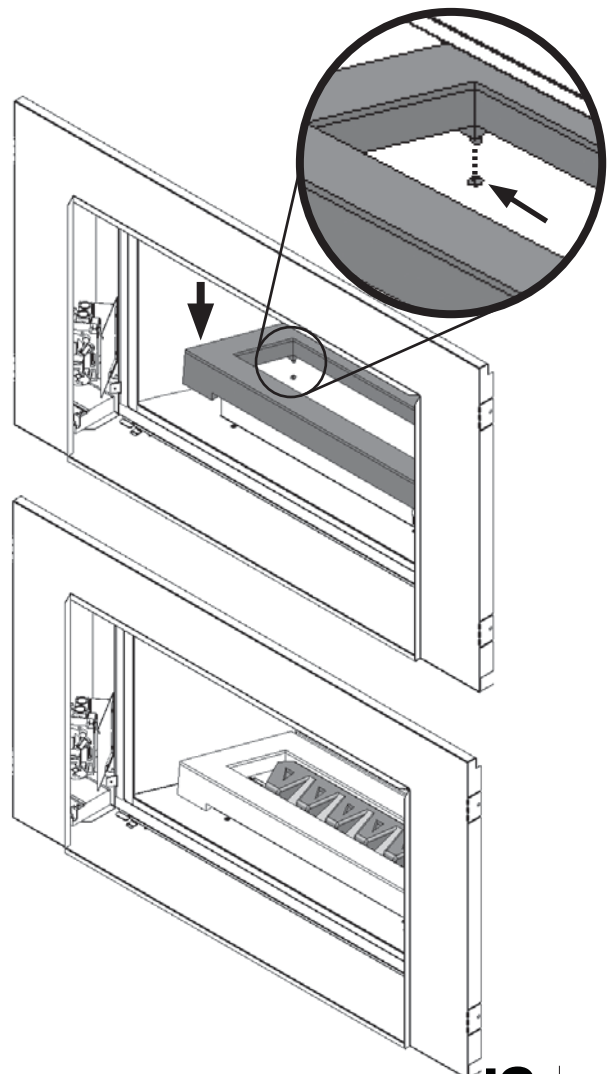


Rocks Installation (1300IR)

The fuel bed elements include the cast iron platform, the ceramic rock base, rocks and twigs. Unpack them very carefully to avoid damage.

1. Place the cast platform in the firebox locating its rear feet in the holes on the bottom of the firebox as indicated.

2. Place the ceramic rock base inside the cast platform. **Make sure that it sits against the tabs behind the burner as indicated.**

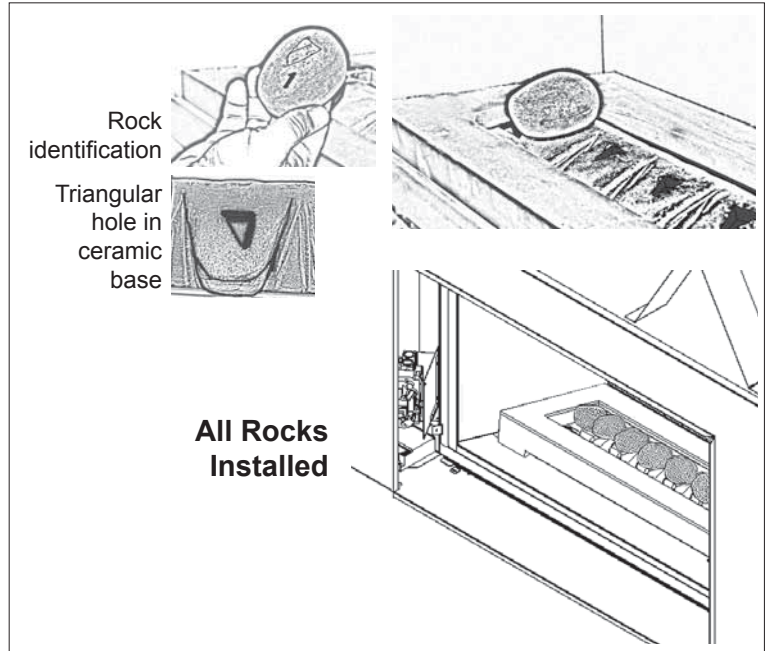


Rocks Installation (1300IR)

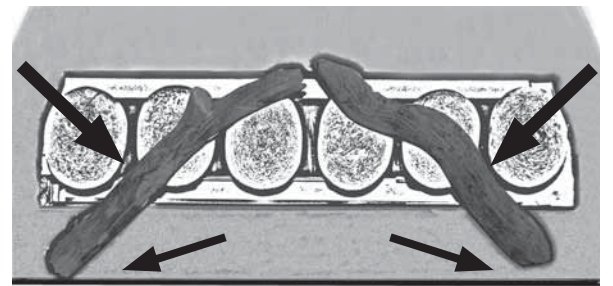
- The underside of each ceramic rock is identified by a number and a specific protruding positioning triangle.

Install the six rocks from left to right starting with rock no. 1.

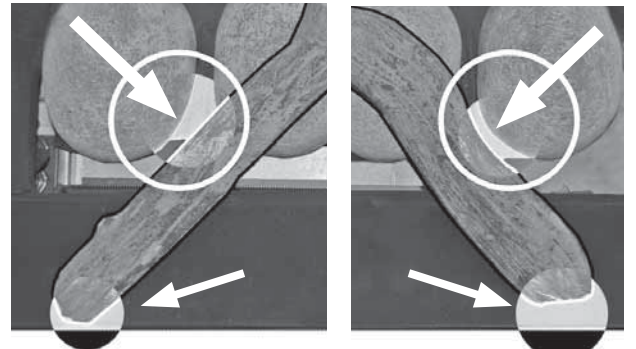
Please note that the position of the rocks and twigs (when used) is critical to insure proper performance of the appliance.



- Place the left twig across the second and third rocks from the **left**; rest its end on the edge of the platform as shown. **Make sure to leave a gap between the twig and the first rock to allow flame to come up between the twig and the rock.**

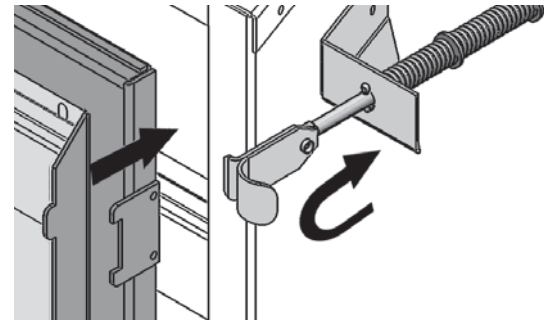


- Place the right twig across the second and third rocks from the **right**; rest its end near the edge of the platform as shown. **Make sure to leave a gap between the twig and the first rock to allow flame to come up between the twig and the rock.**



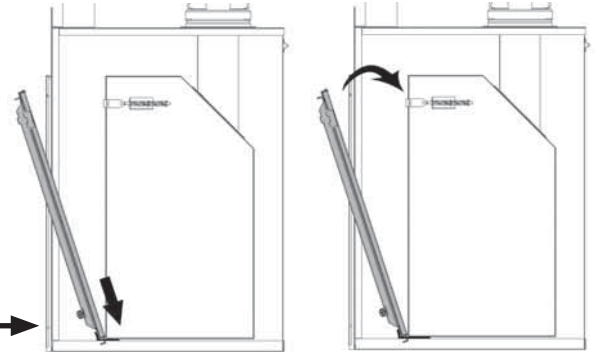
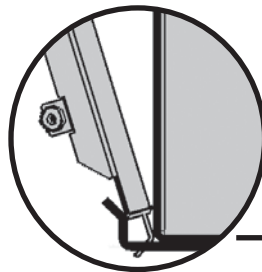
1. To refit the window, place it in its bottom railing and push its top against the firebox.
2. While you hold it, pull the side levers back into the window brackets on each side.
3. Pull out the top of the window and release it to insure the springs return it.

IMPORTANT: To ensure a safe operation, ensure that the spring-loaded mechanism functions properly.



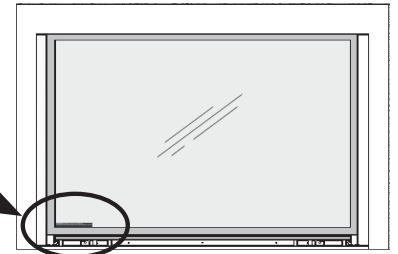
4. Apply light hand pressure against the window frame sides to bed-in the window seal.
5. **If the Hot Glass Warning plate has been removed from the front lower corner of the window, reinstall it by sliding it between the glass and the frame as indicated.**

Section Views




! WARNING: EXTREMELY HOT GLASS AND FIREPLACE
Risk of severe burns. Keep Children away from fireplace & controls.
AVERTISSEMENT : VITRE ET FOYER EXTREMEMENT CHAUDS
Risque de brûlures graves. Tenir les enfants à l'écart du foyer et des commandes.

Hot Glass Warning Plate

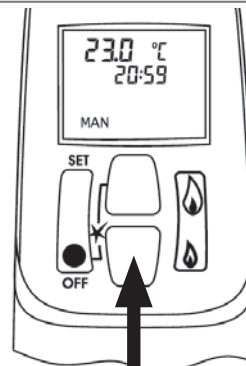
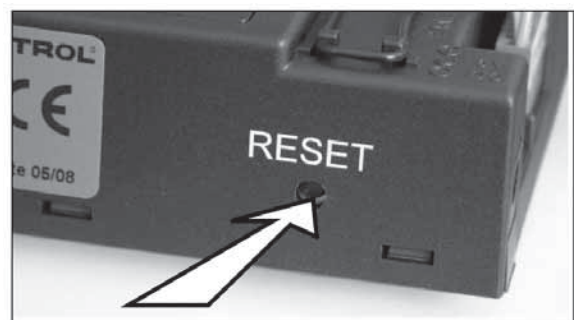


Remote Control Initial Set-up

The receiver and the handset of the remote control system must be initially synchronized before the first use.

1. Insert alkaline batteries in the remote control receiver and handset. The receiver is located left of the firebox.
2. With a sharp object, press and hold the receiver's reset button until you hear one short and one long beeps. Release the reset button after the second beep.
3. Within the subsequent 20 seconds, press the small flame button () on the remote handset until you hear two short beeps confirming the synchronization is set.

This is a one time setting only and is not required when changing the batteries in the remote receiver. The remote control system is now ready to use.



Operation Check

Turn the fireplace flame up and down using the remote control to confirm that the full range of inputs is achieved—see the remote control operation instructions on pages 37–41.

Aeration Settings

Light the fire and allow the unit to warm up for 10–15 minutes to evaluate the flame picture. Burners are equipped with an adjustable shutter to control primary aeration. See the figures below. The shutter is factory-set to an aeration gap which will give optimum performance for the vast majority of installations.

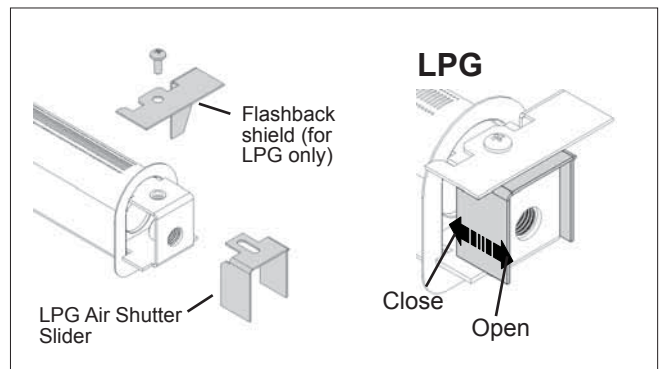
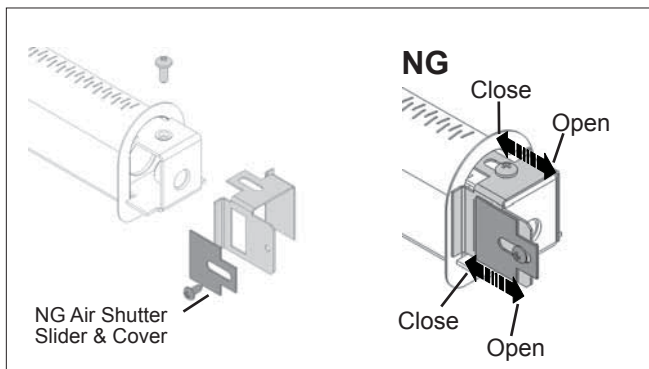
In a few unusual installations, the flame picture may be improved by adjusting the aeration. The need for adjustment should be determined only by operating the appliance with the ceramic rocks and window installed.

Increasing aeration will cause the flames to appear more transparent and blue showing more ceramic rock glow.

Decreasing aeration will cause the flames to appear more yellow or orange showing less ceramic rock glow.

Too little aeration may result in black carbon forming and dropping into the firebox.

Air Shutter

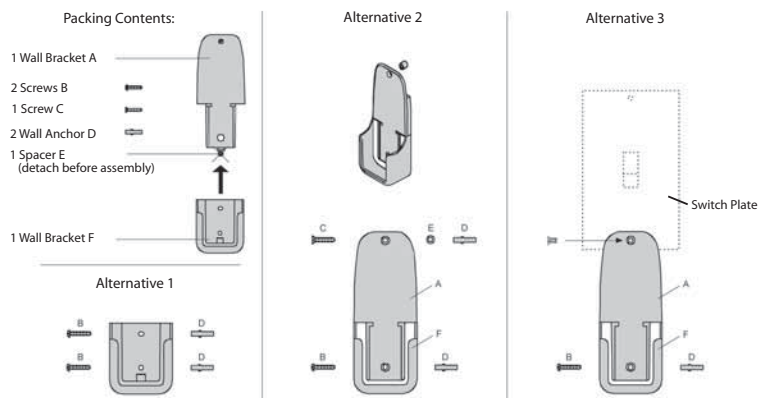


Remote Control Handset Wall Holder Installation

The remote control kit for this fireplace comes complete with a wall-mounted holder. This holder is not required in all installations but is provided as an optional feature for those customers who wish to mount the remote handset to the wall.

To install the holder to the wall, find a convenient location and use the hardware provided with the kit. See the diagram below for required hardware and configurations. Note that the holder can be installed at the base of a light switch plate.

IMPORTANT. The location of the remote control handset is important to assure proper temperature regulation. To obtain a constant temperature, we recommend that the handset should be between 3 and 15 feet away from the appliance **but not directly above it**. We also advise that the handset should be located away from any other heat source and not in direct sunlight as this may affect the temperature sensor located in the remote handset.



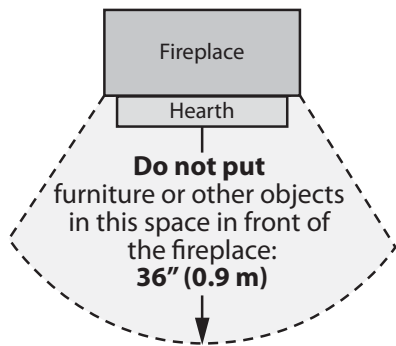
⚠ WARNING

EXTREMELY HOT!!!

- Some parts of your fireplace are **EXTREMELY HOT**, particularly the window.
- **DO NOT LET CHILDREN** touch the glass or any parts of your fireplace even after it is turned off as it is still hot.
- **USE A SAFETY SCREEN or a GATE** to reduce the risk of burns.
- Keep the remote control handset **OUT OF REACH** of children.
- Some materials or items, although safe, may discolor, shrink, warp, crack, peel, and so on because of the heat produced by the fireplace. **AVOID PLACING** candles, paintings, photos, and other items **SENSITIVE TO HEAT** within 36 inches (0.9 m) around the fireplace.
- **HOT HEARTH / FLOOR!** The hearth or floor in front of the fireplace may become very hot when the fireplace heats. Do not use the hearth as a seat or shelf. Solid wood flooring in front of the fireplace (if allowed) may shrink during the heating season due to heat.

Performance of LPG appliances may be affected by the quality of commercial gas supplied in your area.

Warranty Card at the back of this manual.

Read the important safety information on pages 3 and 5 of this manual.

Operating Your Fireplace

For your safety, this appliance is fitted with a flame supervision device which will shut-off the gas supply if, for any reason, the pilot flame goes out. This device incorporates a fixed probe, which senses the heat from the pilot flame. If the probe is cool, the device will prevent any gas flow unless manually lighting the pilot. See full lighting instructions on page 42 of this manual.

Cleaning

⚠ WARNING

DO NOT TOUCH THE GLASS WHILE IT IS HOT!
Let the fireplace cool first before cleaning it.

Important - Glass cleaning - Mineral deposits
One of the by-products of the combustion process in a gas appliance is a mineral which can show up as a white film on the ceramic glass of the viewing door.

The composition of the deposit varies with location and time. It is believed to be associated with the varying sulfur content of the gas. You may have the problem intermittently.

We have consulted with ceramic glass manufacturers and they cannot offer a definitive solution to this problem. Dealers have tried various cleaning products with varying results. The following are recommendations and are not meant to guarantee results.

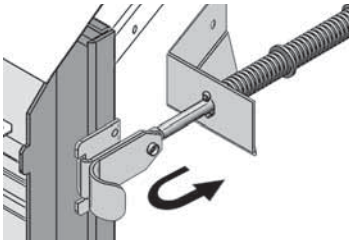
NOTE: This is a problem beyond Miles Industries' control and is not covered under warranty.

- Clean the glass regularly as soon as you notice the buildup (white film). If the film is left for a longer period of time, it will bake on. It is then much harder, if not impossible, to remove.
- NEVER use an abrasive cleaner on the ceramic glass. Any abrasion of the surface has the immediate effect of compromising the strength of the glass. An emulsion type cleaner is recommended.
- Use a soft damp cloth to apply the cleaner. Dry the glass with a soft, dry, preferably cotton cloth. Most paper towels and synthetic materials are abrasive to ceramic glass and should be avoided.
- Our dealers have had good results from the products listed below. We cannot, however, guarantee the results of these products.
 - » BRASSO, POLISH PLUS by KELKEM, COOK TOP CLEAN CREME by ELCO, WHITE OFF by RUTLAND, TURTLE WAX

Do not clean the glass while it is hot. Always securely replace the window before lighting. **If broken, the glass pane may only be replaced as a complete window unit as supplied by the manufacturer.**

To remove the window for cleaning:

1. Find the levers on each side of the window towards the top. Using your finger, pull the lever towards you and unhook it from the window frame bracket.
2. Gently pull the top of the window outward.
3. Lift the window out of its bottom railing and set it aside in a safe place to avoid damage.



Spring Loaded Window Levers

To refit the window:

1. Place it in its bottom railing and push its top against the firebox.
2. While you hold it, pull the side levers back into the window brackets on each side.
3. Pull out the top of the window and release it to insure the springs return it.
4. Apply light hand pressure against the window frame sides to bed-in the window seal.

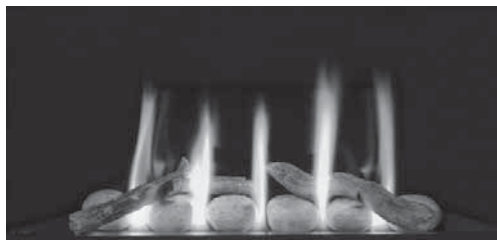
Soot or dust can be brushed from the ceramic logs and firebox walls using a soft brush. Dust can also be removed from the burner using a soft brush after removing the ceramic logs. When cleaning, make sure that no particles are brushed into the slots of the burner.

Checks

A periodic check of the pilot and burner flames should be made. Check after the fire has been on for at least 30 minutes. The pilot flame must cover the tip of the thermocouple probe. The main burner flame pattern will vary from appliance to appliance depending on the type of installation and climatic conditions.

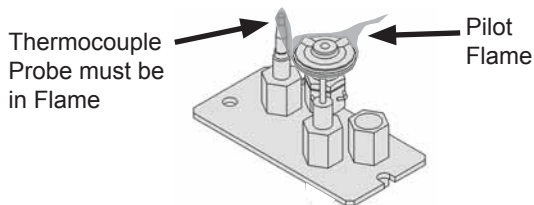
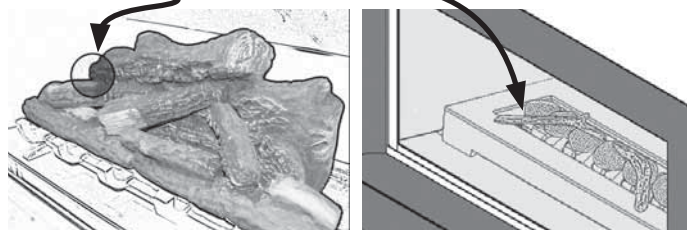


Correct Flame Picture—Logs



Correct Flame Picture—Rocks

Pilot Flame can be seen between logs (1300IL) or left of the first rock (1300IR)



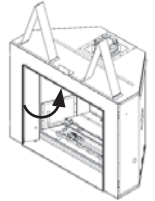
The appliance area must always be kept clear and free from combustible materials, gasoline and other flammable vapors and liquids.

Inspect the vent terminal outdoors regularly to make sure that snow, trees, bushes, leaves, or other objects do not obstruct it.

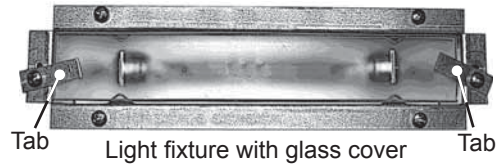
Examine the vent system and terminal regularly. We recommend annually.

Light Bulb Replacement (if installed)

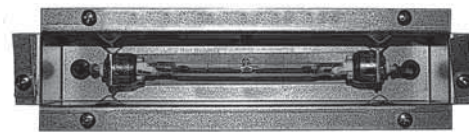
The appliance may be equipped with a decorative light inside the firebox located in front of the window. To replace the light bulb, follow these steps:



1. Turn off the decorative light wall switch.
2. Locate the light fixture. Loosen the screws of the glass cover retaining tabs.



3. While holding the glass cover so it does not fall and shatter, swivel one or both of its retaining tabs to free the glass. Gently remove the glass cover.
4. Remove the light bulb from its socket by pushing towards one end.



Light fixture without glass cover

5. With a gloved hand, replace with a new light bulb using a 100 watts halogen 130 volts (type J T3, 119 mm long).



100W Halogen Light Bulb (119mm)

6. Test the bulb by turning the wall switch on. Turn the switch off again to complete the operation. NOTE: If the bulb is new and not functioning, turn off the dimmer switch and call your local electrician for inspection.
7. Put the glass cover back in place and, while holding it, turn the retaining tab(s) to retain the glass.
8. Tighten the tabs' screws.

Batteries

⚠ WARNING
DO NOT ATTEMPT TO CHANGE THE BATTERIES WHILE THE FIREPLACE IS STILL HOT! Let the fireplace cool first before touching it.

CAUTION
DO NOT USE a screwdriver or other metallic object to remove the batteries from the receiver or the handset! This could cause a short circuit to the receiver.

Low battery signal: see page 41.

BEFORE changing the batteries, turn off the valve using the manual On/Off switch—see instructions next page.

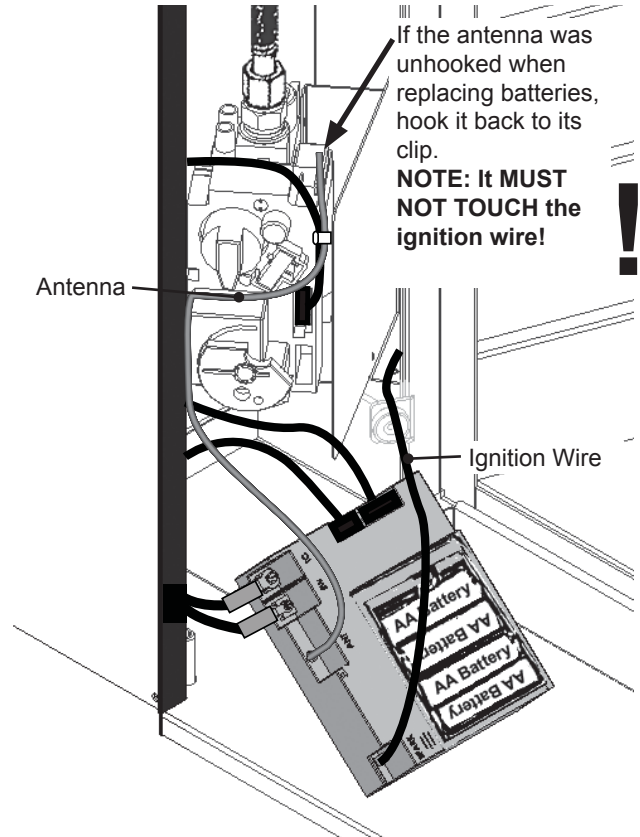
The appliance uses four 1.5 V AA alkaline batteries for its remote control receiver and one 9 V alkaline battery for its handset. Batteries should last one to two seasons, depending on usage. Removing the batteries in the off-season will extend the battery life. Should the batteries lose power, the control may be operated by manually turning the control knob at the valve or by turning off the valve at the switch.

To replace the batteries in the remote control receiver:

1. Open the side panel to the left of the window.
2. The receiver is located under the valve and it is retained to its platform by a *Velcro* tab. Grab the receiver and pull it out from its platform.
3. Slide and remove the receiver cover.
4. Replace the 4 AA batteries.
5. Replace the cover.
6. Put the receiver back on its platform pushing it in so it attaches to the *Velcro* tab. If it was unhooked, replace the antenna in its clip.

IMPORTANT: The antenna MUST NOT TOUCH the ignition wire to avoid a short-circuit.

CAUTION
 To avoid short-circuit to the receiver, position the **antenna** so that it **DOES NOT TOUCH the ignition wire**.



⚠ WARNING
DO NOT ATTEMPT TO TOUCH THE DATA PLATE WHILE THE FIREPLACE IS STILL HOT! Let the fireplace cool first before touching it.

Lighting, Operation and Rating Information

The Lighting, Operation and Rating information is located on a plate at the right hand side of the firebox behind the side door.



The data plate is located on the right of the firebox behind the side door.

To access the plate, open the right hand side door and grab the plate and slide it out to read it. There is important information on both sides of the plate.

Servicing

If any attention is required for your appliance, contact your supplier quoting the model number. It will be helpful if the appliance serial number can also be quoted. This number is on the rating plate, which is located on the right hand side of the firebox behind the side door. Open the side door and slide the plate out. The replacement parts are shown at the end of this manual. Please always quote the part number and description when requesting spare parts.

Fireplace Control Devices

There are three ways to control your fireplace.

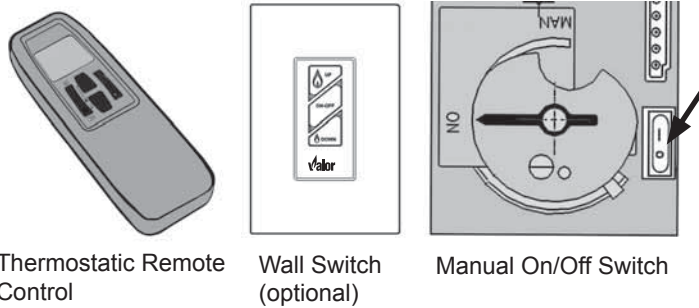
1. Thermostatic Remote Control;
2. Wall Switch (optional);
3. Manual On/Off Switch.

The manual On/Off switch must be ON for the fireplace to function. It can be used to shut off the fireplace in case of emergency—see above.

The Thermostatic Remote Control can be programmed to function automatically—see pages 37–41.

The Wall Switch (optional) can be used to turn on, off and to increase or decrease the flame height—see 1265WSK—Wall Switch Kit.

NOTE: The remote control in the AUTO mode will override the wall switch.



Thermostatic Remote Control

Wall Switch (optional)

Manual On/Off Switch

How to Ensure Your Fireplace Cannot Be Turned ON Inadvertently

You can use one of the two following methods to ensure that your fireplace will not turn on when you don't want it on.

First, ensure your fireplace is turned off—including the pilot—and cold BEFORE going ahead.

- You can prevent your fireplace from lighting by pressing the **O** button on the manual ON/OFF switch on the gas valve—see image at the bottom of the page.
- Alternately, remove all batteries from the receiver as well as the battery from the handset.



The receiver and gas valve are located on the left of the firebox behind the side door.

Automatic Shut-Off (in certain conditions)

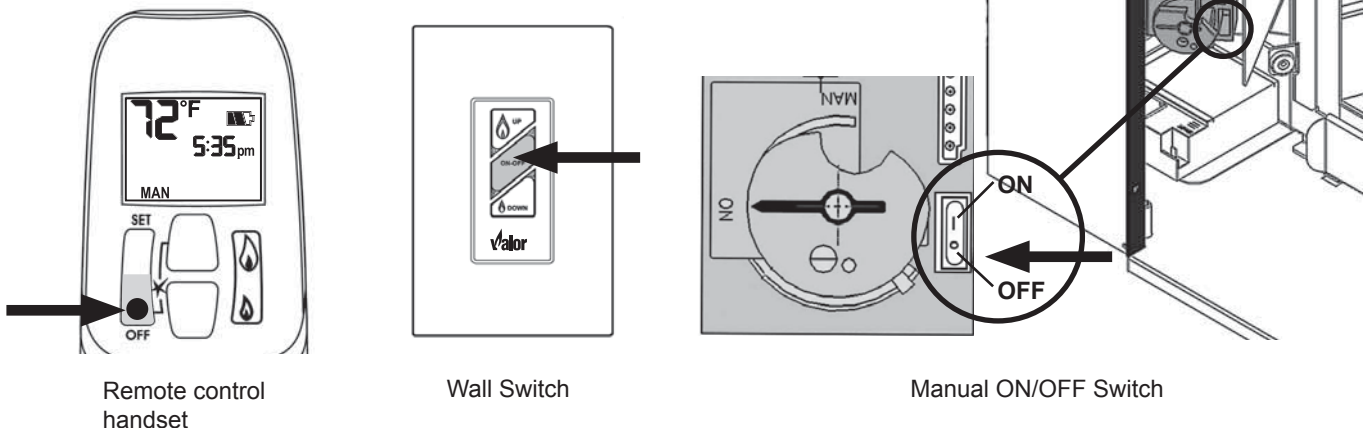
Your fireplace's remote control is equipped with an automatic shut-off mechanism which is activated in certain conditions. See page 41 in the *Remote Control Operation* section for a description of this feature.

How to Turn Your Fireplace OFF (including pilot)

Familiarize yourself with each of these methods before operating your fireplace.

Press and hold the OFF button for a second (either on the handset or the wall switch).

If the flames are on, they go down and you hear the valve motor wind down. You hear a clunk and a beep indicating that the valve has received the signal from the remote control.



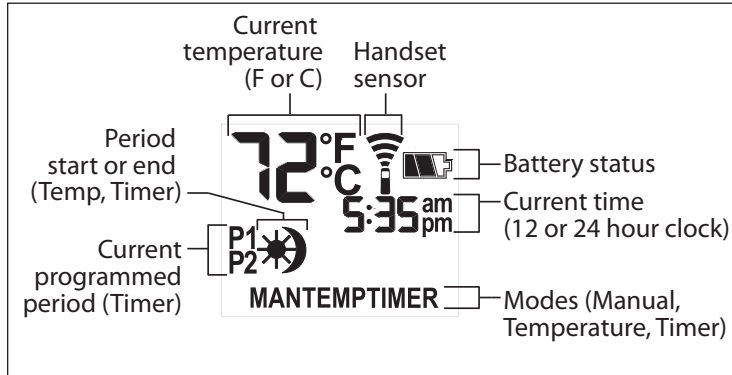
Remote control handset

Wall Switch

Manual ON/OFF Switch

NOTE: Before using the remote control system for the first time, the receiver and the handset must be synchronized. See the section *Remote Control Initial Set-up* on page 31 of this manual.

IMPORTANT: BEFORE YOU BEGIN, please note that on this system, the settings of time, temperature and automatic ON/OFF can only be programmed when the function display is flashing. Be patient when programming as it can take a few seconds to set.

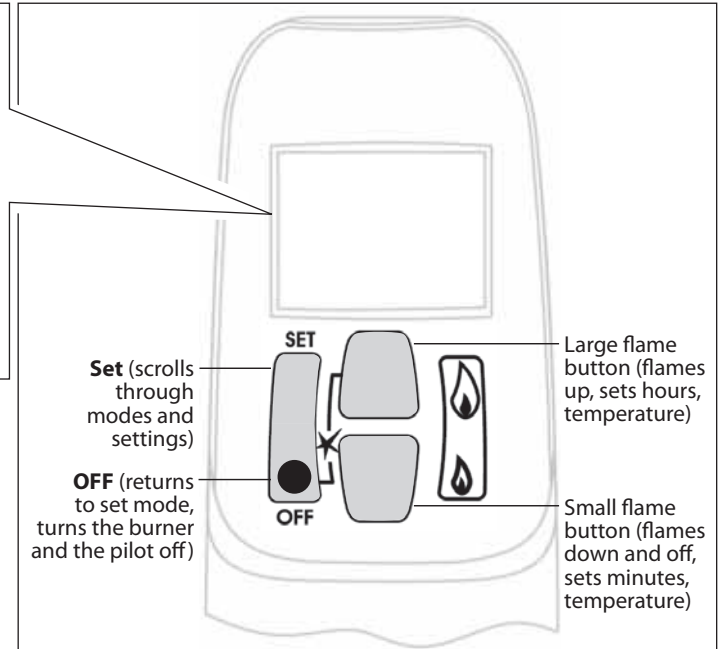


Display Overview

Note: In the TEMP or TIMER modes, the remote handset senses the room temperature and adjusts the flame accordingly.

To communicate, the handset should be within 15 feet (4.5 meters) of the fireplace.

Do not leave the handset on the mantel or hearth.



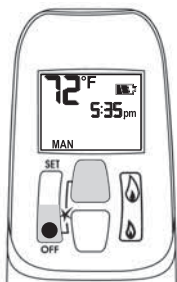
Handset Overview

TO TURN ON APPLIANCE

CAUTION

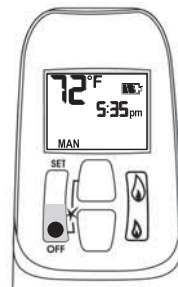
When pilot ignition is confirmed, motor turns automatically to maximum flame height.

- On the valve, turn MAN knob on the ON, full counterclockwise ↺ position.
- Place ON/OFF switch (if equipped) in I (ON position).



- Simultaneously press the OFF and 🔥 (large flame) buttons until a short beep confirms the start sequence has begun; release buttons.
- Continuing beeps confirm the ignition is in process.
- Once pilot ignition is confirmed, there is main gas flow.
- After main burner ignition the handset will automatically go into temperature (TEMP) control mode.

TO TURN OFF APPLIANCE



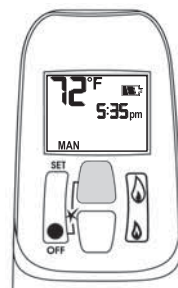
- Press OFF button.

When the pilot is off, it will take 2 minutes before it can be lit again.

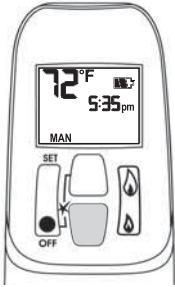
STANDBY MODE (Pilot Flame)

- Press and hold 🔥 (small flame) to set appliance at pilot flame.

FLAME HEIGHT ADJUSTMENT

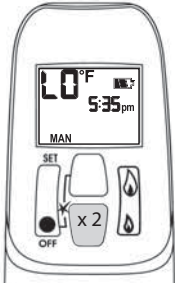


- In standby mode: Press and hold 🔥 (large flame) button to increase flame height.

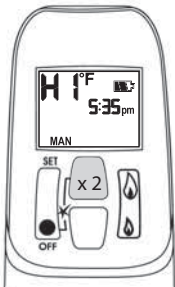


- Press and hold (small flame) button to decrease flame height or to set the appliance at pilot flame.
- For fine adjustment tap the (large flame) or (small flame) buttons.

Express Low and High Fire



- Double-click (small flame) button. "LO" will be displayed.
NOTE: Flame goes to high fire first before going to designated low fire.



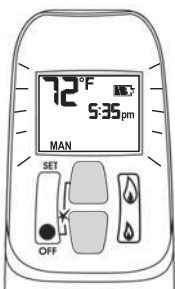
- Double-click (large flame) button. Flame automatically goes to high fire. "HI" will be displayed.

SETTING °C/24-HOUR OR °F/12-HOUR CLOCK



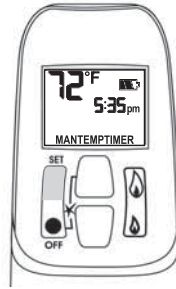
- In MAN mode, press OFF and (small flame) buttons until display changes from Fahrenheit/12-hour clock to Celsius/24-hour clock and vice versa.

SETTING THE TIME



- The time display will flash after either:
 - » Installing the battery or
 - » Simultaneously pressing the (large flame) and (small flame) buttons.
- Press (large flame) button to set the hour.
- Press (small flame) button to set the minute.
- Press OFF or simply wait to return to MAN mode.

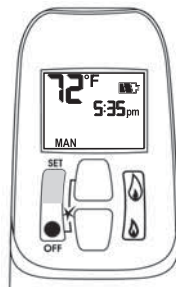
MODES OF OPERATION



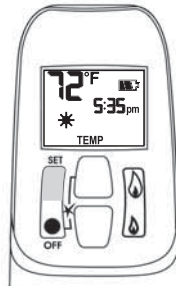
- Briefly pressing the SET button changes the mode of operation in the following order:



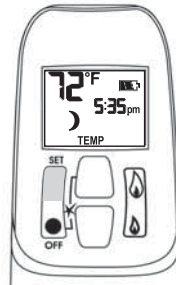
NOTE: Manual mode can also be reached by pressing either the (large flame) or the (small flame) buttons.



- - **Manual Mode** - Manual Flame Height Adjustment.



- - **Daytime Temperature Mode** (Appliance must be in standby mode; pilot ignited) - The room temperature is measured and compared to the set temperature. The flame height is then automatically adjusted to achieve the Daytime Set Temperature.



- - **Nighttime Setback Temperature Mode** (Appliance must be in standby mode; pilot ignited) - The room temperature is measured and compared to the Nighttime Setback temperature. The flame height is then automatically adjusted to achieve the Nighttime Setback Temperature.



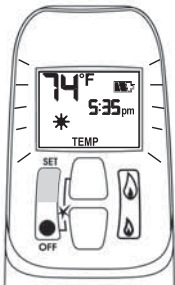
- - **Timer Mode** (Appliance must be in standby mode; pilot ignited) - The timers P1 and P2 (Program 1, Program 2) each can be programmed to go ON and OFF at specific times. For instructions see Timer Programming Mode.


NOTE: The display shows the set temperature every 30 seconds.

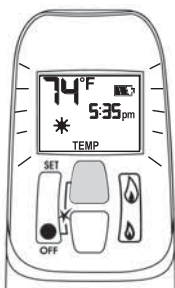
SETTING THE ON / OFF TEMPERATURES



SETTING THE "DAYTIME" TEMPERATURE

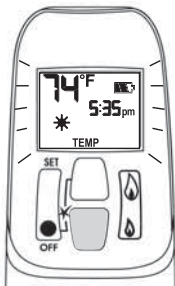
Default Settings:  TEMP (sun), 23°C / 74°F





- Briefly press SET button to scroll to TEMP  TEMP (sun) mode. Hold the SET button until the TEMP flashes.



- Press  (large flame) button to increase the  Daytime Set Temperature.



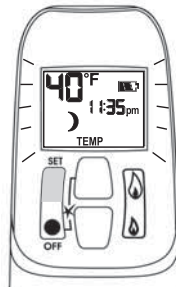
- Press  (small flame) button to decrease  Daytime Set Temperature.




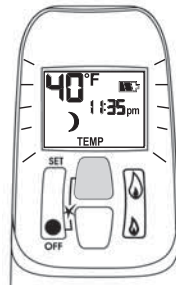
- Press OFF or simply wait to complete programming.



SETTING THE "NIGHTTIME SETBACK" TEMPERATURE

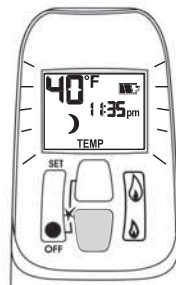
Default Settings:  TEMP (moon), "--" (OFF)





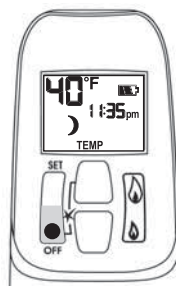
- Briefly press SET button to scroll to TEMP  TEMP (moon) mode. Hold the SET button until the TEMP flashes.



- Press  (large flame) button to increase  Nighttime Setback Temperature.



- Press  (small flame) button to decrease  Nighttime Setback Temperature.



- Press OFF or simply wait to complete programming.

Tip
Set the different parameters when they are flashing.

SETTING PROGRAM TIMERS

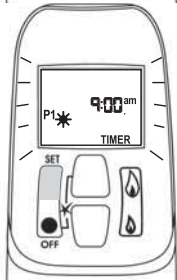
- You can program two periods of time between 12:00 am and 11:50 pm in each 24-hour cycle.
- The Programs P1 and P2 must be set in the following order during a 24-hour cycle: **P1** ☀, **P1** 🌙, **P2** ☀ and **P2** 🌙
- The icon ☀ indicates the beginning of the period (ON) and the icon 🌙 indicates the end of the period (OFF).
- If **P1** ☀ = **P1** 🌙 or **P2** ☀ = **P2** 🌙, the programming is cancelled.
- To keep the fireplace ON all night, set **P2** 🌙 at 11:50 am and **P1** ☀ at 12:00 am.

Default settings:

Program 1: **P1** ☀ 6:00 am **P1** 🌙 8:00 am
 Program 2: **P2** ☀ 11:50 pm **P2** 🌙 11:50 pm

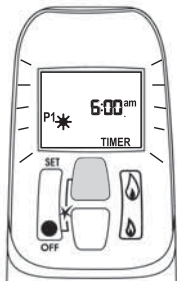


- Briefly press SET button to scroll to TIMER mode.

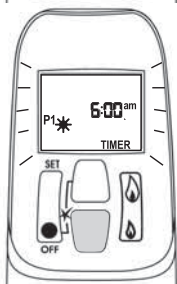


SETTING P1 ON TIME

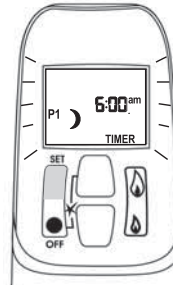
- Hold the SET button until **P1** ☀ (sun) is displayed and the time flashes.



- Press 🔥 (large flame) button to set the hour.

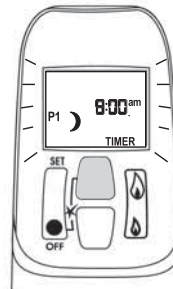


- Press 🔥 (small flame) button to set the minutes.

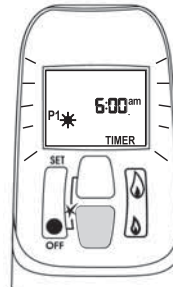


SETTING P1 OFF TIME

- Briefly press SET button to scroll to TIMER **P1** 🌙 (moon) while the time flashes.



- Press 🔥 (large flame) button to set the hour.



- Press 🔥 (small flame) button to set the minutes.

SETTING P2 ON TIME

- Briefly press SET to scroll to TIMER mode **P2** ☀ (sun) while the time flashes.
- Follow the instructions given to set P1 ON time.

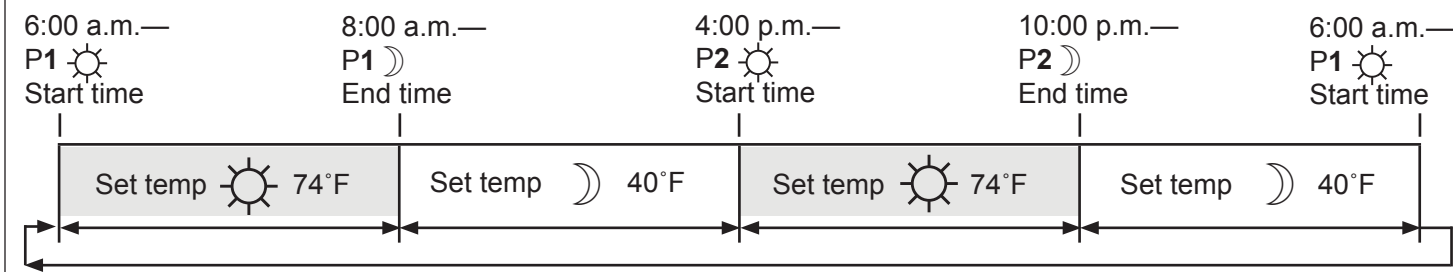
SETTING P2 OFF TIME

- Briefly press SET to scroll to TIMER mode **P2** 🌙 (moon) while the time flashes.
- Follow the instructions given to set P1 OFF time.

Press OFF button to save these settings. The timers are programmed. See the diagram on programming sequences on the following page.

Tip
 If you want to program only one period, program **P1** ☀ and **P1** 🌙 with desired times and program **P2** ☀ and **P2** 🌙 with the same time as **P1** 🌙.

Timer Programming Example (default temperatures shown)



AUTOMATIC TURN DOWN

- **No communication.** If there is no communication between the receiver and the handset for a period of 6 hours, the appliance goes into pilot mode.
- **No change in flame height.** If there is no change in flame height for a period of 6 hours, the appliance goes into pilot mode.
NOTE: In **TEMP** or **TIMER** modes, the flame height will vary according to room temperature. The appliance will continue to work normally. However, if the room temperature remains the same for 6 hours, the appliance will go into pilot mode.


AUTOMATIC SHUT OFF

- **Low batteries in the receiver.** With low battery power in the receiver the system shuts off completely.
NOTE: This does not apply when the power supply is interrupted.
- **No change in pilot.** The appliance shuts off completely when it is continually in pilot position—without any change—for a period of 5 days.

LOW BATTERY INDICATION

CAUTION

DO NOT USE a screwdriver or other metallic object to remove the batteries from the battery box or the handset! This could cause a short circuit.

Remote handset: The battery icon  will show when the battery needs to be replaced. Replace with one 9 V **alkaline** battery.

Receiver: Three short 'beeps' will sound when the motor turns when the batteries need to be replaced. Replace with four 1.5 V **alkaline** batteries.

HANDSET / RECEIVER MATCH

The remote control handset and receiver are programmed to function together. In case of a replacement of the handset or the receiver, you will need to reset the receiver to allow them to function together. Contact your dealer for details.

Options

Ceramic Liners (required)

- 1340CBL—Ceramic black fluted liners
- 1350EBL—Enamel black liners

Trims (required)

- 1335MTB—Three-Sided Black Trim
- 1335MTP—Three-Sided Polished Trim
- 1337MFB—Four-Sided Black Trim
- 1337MTP—Four-Sided Polished Trim
- 1365FSP—Four-Sided Surround Polished
- 1365FSB—Four-Sided Surround Black
- 1370GSB—Glass Surround Black
- 1376CSK—Clean Surround Installation Kit

Conversion Kit (optional)

- 1300PCK—Conversion Kit to Propane Gas
- 1300NCK—Conversion Kit to Natural Gas

Wall Switch (optional)

- 1265WSK—Wall Switch Kit
- 1355LHK—Decorative Lighting Kit

Heat duct system (optional)

- 1270RBK—Remote blower kit

Reflective liner (optional)

- 1345RGP—Reflective glass panel (to use with 1340CBL)

Hearth Gate (optional)

Hearth gates such as Cardinal's VersaGates are available at retail stores carrying safety products for children.

FOR YOUR SAFETY, READ BEFORE LIGHTING

WARNING: If you do not follow these instructions exactly, a fire or explosion may result causing property damage, personal injury or loss of life.

A. This appliance has a pilot which must be lighted by hand or by remote control. Follow these instructions exactly. To save gas, turn the pilot off when not using the appliance for a prolonged period of time.

B. BEFORE LIGHTING, smell all around the appliance area for gas. Be sure to smell next to the floor because some gas are heavier than air and will settle on the floor.

WHAT TO DO IF YOU SMELL GAS

- Do not try to light any appliance.
- Do not touch any electric switch; do not use any phone in your building.
- Immediately call your gas supplier from a neighbor's phone. Follow the gas supplier's instructions.
- If you cannot reach your gas supplier, call the fire department.

C. Use only your hand to push in or turn the control knobs. Never use tools. If the knobs will not push in or turn by hand, don't try to repair them; call a qualified service technician. Force or attempted repair may result in a fire or explosion.

D. Do not use this appliance if any part has been under water. Immediately call a qualified service technician to inspect the appliance and to replace any part of the control system and any gas control, which has been under water.

LIGHTING INSTRUCTIONS

1. STOP! Read the safety information above. Dependent on model, switch #1 may be mounted directly to valve see Fig 2A.



Fig 1



Fig 2

Fig 2A

2. SET ON/OFF SWITCH (1) TO "OFF" POSITION.

- Wait five (5) minutes to clear out any gas, then smell for gas, including near the floor. If you smell gas, STOP! Follow "B" in the safety information above on this label. If you don't smell gas, go to the next step.

3. AUTOMATIC IGNITION (fig. 1): Locate the pilot (fig. 3.) inside of firebox at Left Hand side.

- ON/OFF switch (1) in ON position, MAN-knob (2) in ON position; set Flame Adjustment knob (3) to lowest setting (⊖);
- On the remote control handset, press and hold the 'off' button and  (large flame) simultaneously; a short acoustic signal confirms the start has begun;
- Further short acoustic signals indicate the ignition process is in progress;
- When the pilot is lit, the Flame Adjustment knob (3) will automatically rotate to the highest setting.
- Press the  (small flame) on the remote control handset to reduce the flame height.

4. MANUAL IGNITION (fig. 2): With the window off, locate the pilot (fig. 3) inside of firebox at Left Hand side;

- ON/OFF switch (1) in ON position, MAN-knob (2) in MAN position;
- Set Flame Adjustment knob (3) to the lowest setting (⊖);
- Push down the metallic core (4) with a pen or similar instrument; this will establish the pilot gas flow;
- Light gas at the pilot (5) with a match;
- Continue holding down metal core (4) for about 10 seconds; after release, pilot should remain lit;
- If the pilot will not stay lit after several tries, turn the gas control knob (3) to "OFF" (⊖) and call your local service technician or gas supplier.

Reinstall the window and set the MAN-knob (2) to "ON"; turn Flame Adjustment knob (3) up (⊕) or down manually or use the up/down 'flame' buttons on the remote control handset to adjust the flame height.

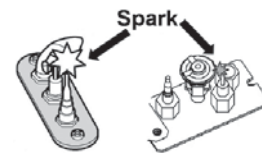



Fig 3

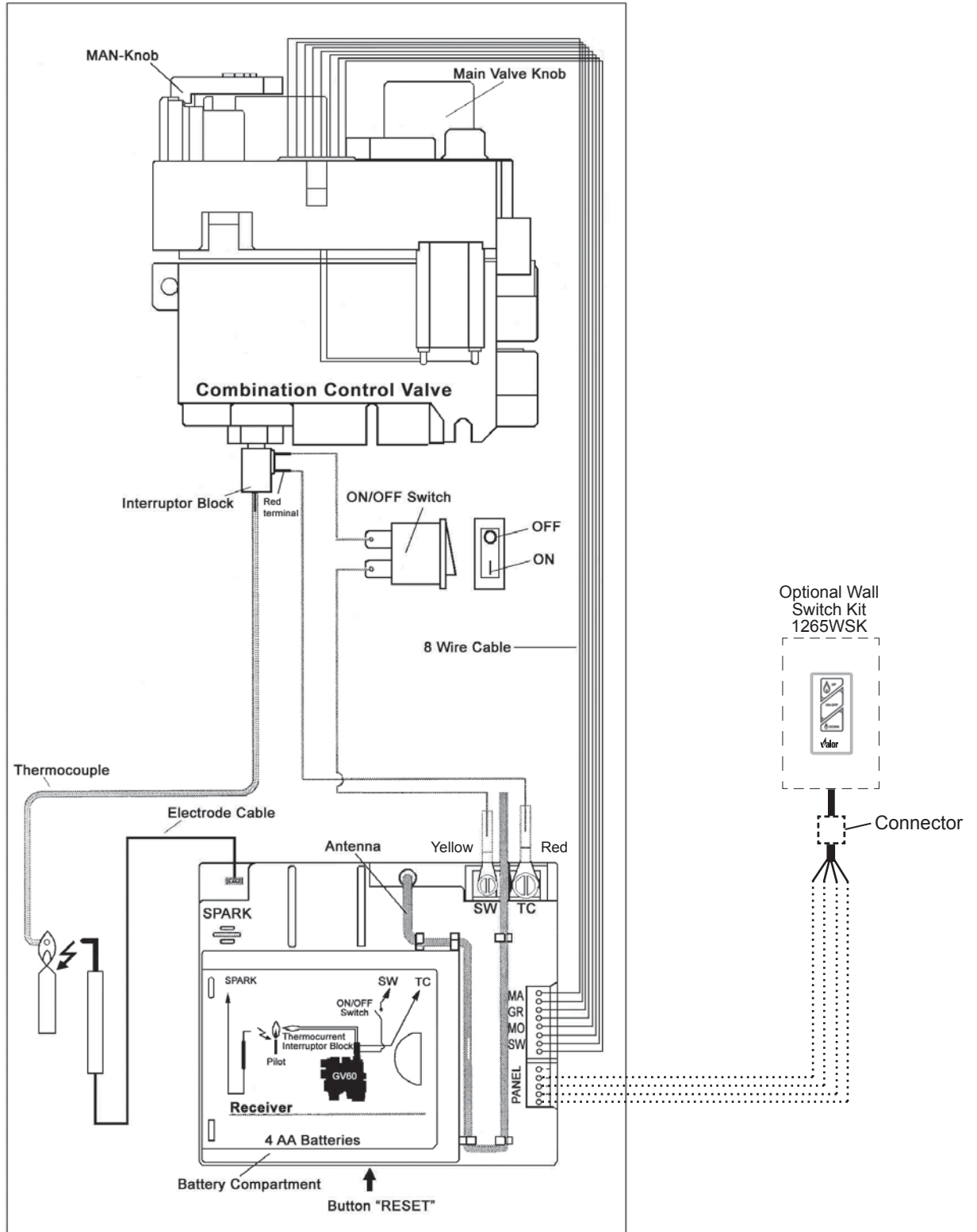
TO TURN OFF GAS TO APPLIANCE

1. AUTOMATIC SHUT-OFF (using the remote control handset):



- Press and hold the  (small flame) on the remote control handset to shut-off the main burner gas flow;
- Press "OFF" button on remote handset to shut-off the appliance, including pilot flame.

2. MANUAL SHUT-OFF (using only the ON/OFF switch (1))

- Press "O" the ON/OFF switch (1) to shut-off the appliance.



GV60 Wiring Diagram

| Approved Direct Vent Suppliers for Valor Models 1200, 1300 and 1500 | | | | | | | | | |
|---|-----------------------------------|---|--|------------------|-------------|----------------|---------------|-----------------------------|--------|
|   | | Venting Parts Code / availability by Manufacturer | | | | | | | |
| | | DURA-VENT | SELKIRK | ICC EXCEL DIRECT | SECURE VENT | RLH INDUSTRIES | AMERIVENT | MILES INDUSTRIES | |
| Venting Parts Description | | | | | | | | | |
| Termination Caps | Horizontal | Co-axial Kit, 26" long | — | — | — | — | — | — | |
| | | Standard Co-axial | 46DVA-HC | 4DT-HC | TM-4HT | — | — | 4DHC round | — |
| | | Deluxe Co-axial | — | — | TM-4DHT | — | — | 4DHCS square | — |
| | | High Wind Co-axial | — | — | — | SV4CHC | — | — | — |
| | Vertical | Standard Co-axial | 46DVA-VC | 4DT-VC | TM-4VT | — | HSDV4658-1313 | 4DVC 4DH-1313 | — |
| | | High Wind Co-axial | 46DVA-VCH | — | — | SV4CGV | — | — | — |
| | | Extended Co-axial | 46DVA-VCE | — | — | — | — | — | — |
| | | Co-linear | — | — | — | 3PDVCV | HS-C33U-99 | HCL-99-33 | 559CLT |
| | | | — | — | — | — | HS-C33F-1313 | HCL-913-33 HCL-1313-33 | |
| | | Snorkel, 14" Rise | 46DVA-SNK14 | 4DT-ST14 | TM-4ST14 | — | — | 4D14S | — |
| Snorkel, 36" Rise | 46DVA-SNK36 | 4DT-ST36 | TM-4ST36 | — | — | 4D36S | — | | |
| Vent Adapters / Couplers | Universal Adapter 3" Flex Coupler | 2150 | — | TM-CFAA3 | — | — | — | — | |
| | — | — | — | — | — | — | — | — | |
| | Co-linear Flex Connector | 46DVA-ADF | — | — | — | — | — | — | |
| | Co-axial-to-Co-linear Adapter | 46DVA-GCL | — | TM-4CAA | — | — | 4DCAB33 | — | |
| | Co-linear-to-Co-axial Adapter | 46DVA-GK | — | TM-4CTA | — | — | 4DCAT33 | — | |
| Aluminum Flexible Liner | 3" diameter | | NOTE: 2-ply liner approved to CAN/ULC S635 suitable for venting gas appliances. As manufactured by Z-Flex, Flexmaster or others. | | | | | | |
| | 2280 Series | 3" ACFL | — | — | — | — | 3AFL-35 | — | |
| Adjustable Pipe Length 4" x 6-5/8" | 4" to 10" | Galvanized | — | 4DT-ADJ | — | — | — | 4D7A or 4D7AB (3" to 5") | — |
| | | Black | — | 4DT-ADJ(B) | — | — | — | — | — |
| | 1-1/2" to 6" | Galvanized | — | — | — | SV4LA | — | 4D12A or 4D12AB (3" to 10") | — |
| | | Black | — | — | — | SV4LBA | — | — | — |
| | 1-1/2" to 12" | Galvanized | — | — | TC-4DLT | SV4LA12 | — | 4D16A or 4D16AB (3" to 14") | — |
| | | Black | — | — | TC-4DLTB | SV4LBA12 | — | — | — |
| | 1-1/2" to 24" | Galvanized | — | — | — | SV4LA24 | — | 4D26A or 4D26AB (3" to 24") | — |
| | | Black | — | — | — | SV4LBA24 | — | — | — |
| DV 45° Elbows | Galvanized | 46DVA-E45 | — | TE-4DE45 | — | — | 4D45L | — | |
| | Black | 46DVA-E45B | — | TE-4DE45B | SV4EBR45 | — | 4D45LB | — | |
| | Galvanized Swivel | — | 4DT-EL45 | — | SV4E45 | — | — | — | |
| | Black Swivel | — | 4DT-EL45(B) | — | SV4EB45 | — | — | — | |
| DV 90° Elbows | Galvanized | 46DVA-E90 | — | TE-4DE90 | — | — | 4D90L | — | |
| | Black | 46DAV-E90B | — | TE-4DE90B | SV4EBR90 | — | 4D90LB | — | |
| | Galvanized Swivel | — | 4DT-EL90 | — | SV4E90 | — | — | — | |
| | Black Swivel | — | 4DT-EL90(B) | — | SV4EB90 | — | — | — | |

| Venting Parts Description | | | Venting Parts Code / availability by Manufacturer | | | | | | |
|-------------------------------|-----------------------------------|------------|---|-----------|------------------|-------------|----------------|-----------------------|------------------|
| | | | DURA-VENT | SELKIRK | ICC EXCEL DIRECT | SECURE VENT | RLH INDUSTRIES | AMERIVENT | MILES INDUSTRIES |
| Pipes 4" x 6 5/8" (ID x OD) | 6" long | Galvanized | 46DVA-06 | 4DT-06 | TC-4DL6 | SV4L6 | — | — | — |
| | | Black | 46DVA-06B | 4DT-06(B) | TC-4DL6B | SV4LB6 | | | |
| | 7" long | Galvanized | — | — | — | — | — | 4D7 | — |
| | | Black | | | | | | 4D7B | |
| | 9" long | Galvanized | 46DVA-09 | 4DT-09 | — | — | — | — | — |
| | | Black | 46DVA-09B | 4DT-09(B) | | | | | |
| | 12" long | Galvanized | 46DVA-12 | 4DT-12 | TC-4DL1 | SV4L12 | — | 4D12 | — |
| | | Black | 46DVA-12B | 4DT-12(B) | TC-4DL1B | SV4LB12 | | 4D12B | |
| | 18" long | Galvanized | 46DVA-18 | 4DT-18 | — | — | — | — | — |
| | | Black | 46DVA-18B | 4DT-18(B) | | | | | |
| | 24" long | Galvanized | 46DVA-24 | 4DT-24 | TC-4DL2 | SV4L24 | — | 4D2 | — |
| | | Black | 46DVA-24B | 4DT-24(B) | TC-4DL2B | SV4LB24 | | 4D2B | |
| | 36" long | Galvanized | 46DVA-36 | 4DT-36 | — | SV4L36 | — | 4D3 | — |
| | | Black | 46DVA-36B | 4DT-36(B) | | SV4LB36 | | 4D3B | |
| | 48" long | Galvanized | 46DVA-48 | 4DT-48 | TC-4DL4 | SV4L48 | — | 4D4 | — |
| | | Black | 46DVA-48B | 4DT-48(B) | TC-4DL4B | SV4LB48 | | 4D4B | |
| Flashings | Roof Flashing 0/12-6/12 | | 46DVA-F6 | 4DT-AF6 | TF-4FA | SV4FA | — | 4DF (0/12-5/12) | — |
| | Roof Flashing 7/12-12/12 | | 46DVA-F12 | 4DT-AF12 | TF-4FB | SV4B | — | 4DF12 (6/12-12/12) | — |
| | Flat Roof Flashing | | 46DVA-FF | — | TF-4F | SV4F | — | — | 559FSK |
| | Masonry Flashing | | — | — | TF-4MF | — | — | — | — |
| Various Venting System Parts | Wall Thimble | | 46DVA-WT | 4DT-WT | TM-4WT | SV4RSM | — | 4DWT | — |
| | Storm Collar | | 46DVA-SC | 4DT-SC | TM-SC | SV4AC | — | 4DSC | — |
| | Decorative Plate | | 46DVA-DC | 4DT-CS | TM-4TR | SV4PF | — | 4DFPB | — |
| | Cathedral Ceiling Support | | 46DVA-CS | 4DT-CCS | — | — | — | 4DRSB | — |
| | Ceiling Firestop / Floor Support | | | | TM-CS | SV4BF | — | 4DFSP | — |
| | | | | | | SV4SD | | | |
| | Attic Radiation Shield / Firestop | | — | — | TM-4AS | — | — | 4DAIS12 (12") | — |
| | | | | | | | | 4DAIS36 (36") | |
| | Wall Strap | | 46DVA-WS | 4DTWS | TM-WS | — | — | 4DWS | — |
| | Vinyl Siding Standoff | | 46DVA-VSS | 4DT-VS | TM-VSS | SV4VS | — | 4DHVS | — |
| Elbow Strap / Offset Support | | 46DVA-ES | 4DT-OS | TM-OS | — | — | — | — | |
| Terminal Guard | | 46DVA-WG | — | — | — | — | — | — | |

- Notes:**
- 1) Follow instructions supplied with each manufacturer's components.
 - 2) Unless otherwise specified, all the parts and assemblies from the above table are to be used with 4" x 6-5/8" pipes.
 - 3) **Do not mix components from different vent manufacturers.**
 - 4) Termination caps manufactured by RLH Industries or American Metal Products are from *Homestyle Chimney Collection* and can be ordered in one of the following finishes: a) aluminium; b) black powder coated; c) solid copper.

If you have a problem with this unit, please contact your dealer or supplier immediately. Under no circumstances should you attempt to service the unit in any way by yourself. The warranties in paragraphs 1 and 2 are provided only to the first purchaser/user of this unit, are not transferable and are subject to the conditions and limitations in paragraphs 3, 4 and 5. Please review the conditions and limitations carefully and strictly follow their requirements.



1. Extended Warranty Coverage

For a period of up to ten (10) years, Miles Industries Ltd., (the "Company") or its appointed distributor will at its option pay the initial purchaser for the repair of, or will exchange the following parts or components which are found to be defective in material or workmanship under normal conditions of use and service:

| Part or Component | Defect Covered | Maximum Warranty Period |
|----------------------------|--|-------------------------|
| Exterior steel casing | Corrosion | 10 years |
| Glass | Loss of structural integrity | 10 years |
| Cast iron parts | Corrosion | 10 years |
| Firebox and heat exchanger | Corrosion (but not discoloration) causing loss of structural integrity | 10 years |

2. Two-Year Parts Warranty

In addition, for two (2) years from the date of purchase, the Company, at its option, can repair or exchange all parts and components not listed above but that are found to have a *bona fide* defect in material or workmanship under normal conditions of use.

3. Conditions and Limitations

- a) The warranty registration card must be completed by the initial owner and returned to the Company within 90 days of purchase.
- b) Installation and maintenance must be performed by an authorized and trained dealer in accordance with the Company's installation instructions.
- c) This warranty is void where installation of the unit does not conform to all applicable codes including national and local gas appliance installation codes and building and fire codes.
- d) The owner must comply with all operating instructions.
- e) The Company is not responsible for the labor costs to remove defective parts or re-install repaired or replacement parts.
- f) The first purchaser or user of the unit will be responsible for any shipping charges for replacement parts as well as travel time incurred by the dealer to perform the warranty work.
- g) This warranty applies to non-commercial use and service and is void if it is apparent that there is abuse, misuse, alteration, improper installation, accident or lack of maintenance to the unit.
- h) This warranty does not cover damage to the unit through:
 - i) Improper installation, operational or environmental conditions.
 - ii) Inadequate ventilation in the area or competition for air from other household equipment or appliances.
 - iii) Damage due to chemicals, dampness, condensation, or sulphur in the fuel supply lines which exceeds industry standards.
- i) This warranty does not cover glass, log breakage or damage to the unit while in transit.
- j) The Company does not allow anyone to extend, alter or modify this warranty and assumes no responsibility for direct, indirect or consequential damages caused by the unit. State or provincial laws where the first purchaser or user resides may provide specific rights to extend this warranty and, if so, the Company's sole obligation under this warranty is to provide labor and/or materials in accordance with those laws.

4. Discharge of Liability

After two (2) years from the date of purchase, the Company may, at its option, fully discharge all obligations under this warranty by paying to the first purchaser/user the wholesale price of any defective parts.

5. No Other Warranty

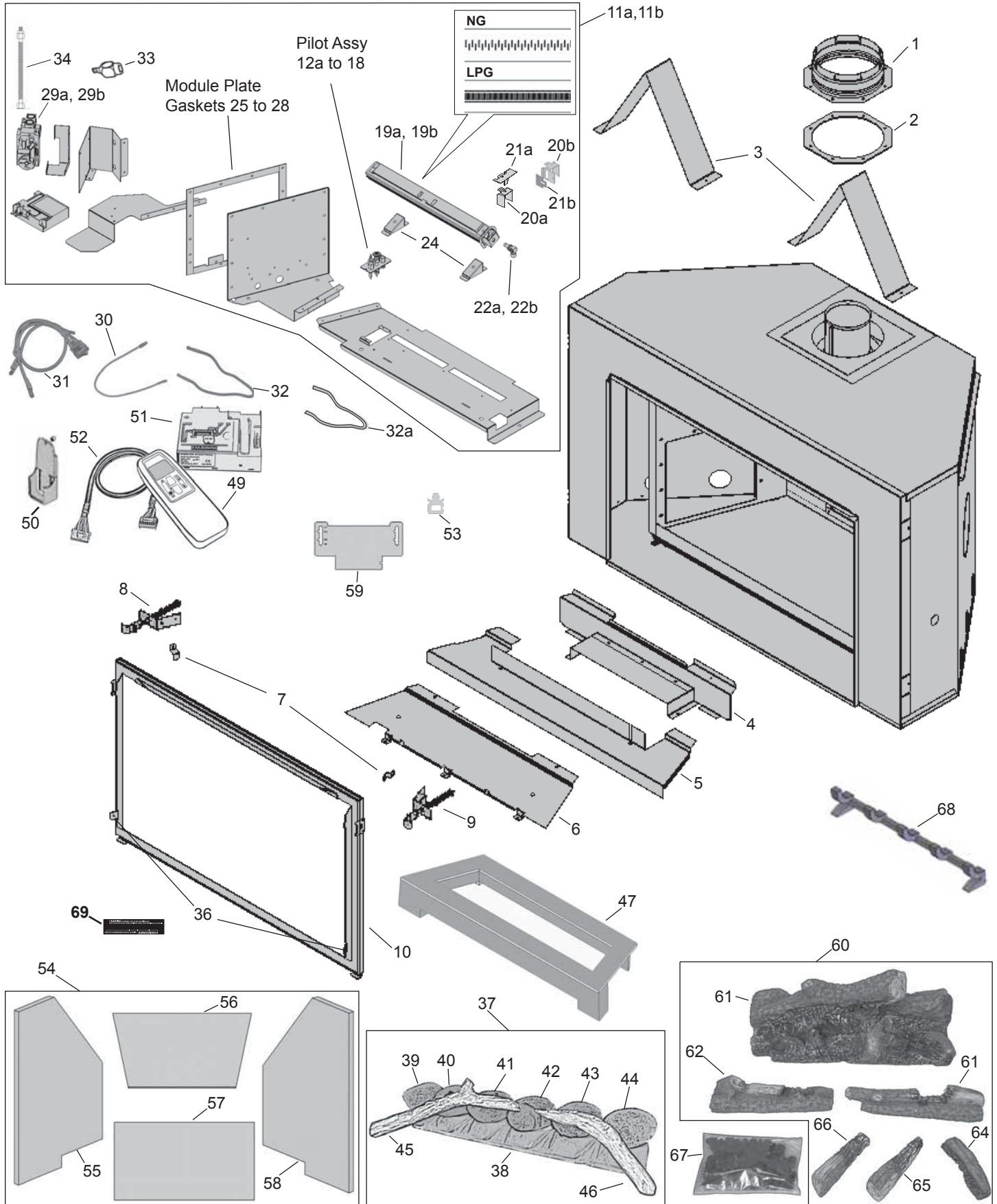
All obligations to repair this unit are defined in this warranty. Some states or provinces may specifically mandate additional warranties on the part of manufacturers, but in the absence of such specific legislation, there is no other warranty or obligation expressed or implied.

Spare Parts

OWNER'S INFO

| Code | Description | Part Number | Code | Description | Part Number |
|------|-------------------------------|-------------|------|----------------------------|-------------|
| 1 | Intake Collar | 4000925 | 36 | Magnet dia. 16 x 4.5mm | 420K551 |
| 2 | Intake Collar Gasket | 4000942 | 37 | Rock Set | 4001791 |
| 3 | Top Standoff (2) | 4001906 | 38 | Base | 4001792 |
| 4 | Air Inlet Duct Assembly | 4002021 | 39 | Rock no. 1 | 4001821 |
| 5 | Front Brick Support | 4001849BY | 40 | Rock no. 2 | 4001822 |
| 6 | Rear Log Support | 4001854BY | 41 | Rock no. 3 | 4001823 |
| 7 | Side Brick Anchor (2) | 4001283 | 42 | Rock no. 4 | 4001824 |
| 8 | LH Explosion Relief Assembly | 4001286 | 43 | Rock no. 5 | 4001825 |
| 9 | RH Explosion Relief Assembly | 4001287 | 44 | Rock no. 6 | 4001826 |
| 10 | Window Frame Assembly | 4001739 | 45 | LH Twig | 4001827 |
| 11a | Burner Module Assembly NG | 4001740S | 46 | RH Twig | 4001828 |
| 11b | Burner Module Assembly LPG | 4001749S | 47 | Cast Platform | 4001675EB |
| 12a | Pilot Assembly NG | 4001690 | 49 | Remote Control Handset | 4001910 |
| 12b | Pilot Assembly LPG | 4001691 | 50 | Remote Control Wall Holder | 9000008 |
| 13 | Thermocouple | 4000061 | 51 | Receiver | 4001911 |
| 14a | Pilot Injector #51 NG | 4000735 | 52 | Wiring Harness | 4001187 |
| 14b | Pilot Injector #30 LPG | 4000736 | 53 | Cable Clip | 4000012 |
| 15 | Pilot Tube | 4000732 | 54 | Ceramic Liner Sets | |
| 16 | Pilot Hood 2 Flame | 4000730 | a | Ceramic Fluted Black Set | 1340CBL |
| 17 | Extended Nut | 4001855 | b | Enamel Black Set | 1350EBL |
| 18 | Electrode | 4001856 | 55 | LH Panel | |
| 19a | Burner Assembly NG | 4001665 | a | Ceramic Fluted Black | 4002003 |
| 19b | Burner Assembly LPG | 4001666 | b | Enamel Black | 4001797EB |
| 20a | Air Shutter Slider LPG | 320B293 | 56 | Top Panel | |
| 20b | Air Shutter Slider NG | 4002345 | a | Ceramic Fluted Black | 4002006 |
| 21a | Flashback Shield LPG | 3000371 | b | Enamel Black | 4002006 |
| 21b | Air Shutter Cover NG | 4002346 | 57 | Rear Panel | |
| 22a | Injector Elbow #850 NG | 9730010 | a | Ceramic Fluted Black | 4002005 |
| 22b | Injector Elbow #300 LPG | 9730035 | b | Enamel Black | 4001799EB |
| 23 | Valve to Burner Pipe Assembly | 4001279X | 58 | RH Panel | |
| 24 | Location Support Assembly (2) | 4001850 | a | Ceramic Fluted Black | 4002004 |
| 25 | Top Gasket | 4001269 | b | Enamel Black | 4001798EB |
| 26 | Bottom Gasket | 4001363 | 59 | Restrictor | 4001222 |
| 27 | Sealing Gasket | 4001364 | 60 | Log Set Complete | 4001696 |
| 28 | Side Gasket (2) | 4001268 | 61 | Rear Log | 4001697 |
| 29a | GV60 Complete Valve NG | 4003105 | 62 | Front Left Log | 4001699 |
| 29b | GV60 Complete Valve LPG | 4003114 | 63 | Front Right Log | 4001700 |
| 30 | Cable Interruptor | 4001035 | 64 | Right Cross Log | 4001701 |
| 31 | Switch with Cable | 4001036 | 65 | Middle Cross Log | 4001698 |
| 32 | Ignition Cable | 4001039 | 66 | Left Cross Log | 4001772 |
| 32a | Ignition Cable Sleeve | 4002244 | 67 | Loose Coals | 4001843 |
| 33 | Thermocurrent Interruptor | 4001037 | 68 | Cast Iron Grate | 4001401AH |
| 34 | Pipe S/S Flex | 4000345 | 69 | Hot Glass Warning Plate | 4003093 |

Spare Parts



Thank You ...

For purchasing a Valor by Miles Industries. Your new radiant gas heater is a technical appliance that must be installed by a qualified dealer.

Please circle where appropriate - ask your installer or your dealer if in doubt. The information provided will be used for customer records only.



| | | | | | | |
|--|--------------|--|-----------------|-------------------|------------------|----------------|
| Model: 1300I | | NG (natural gas) LPG (propane) | | Serial No: | | |
| Front/Trim code/description (e.g. 1370GSB Glass Surround): | | | | | | |
| Purchase date (mm-dd-yyyy): | | | | | | |
| Home Owner Name: | | | | | | |
| Address: | | | | | | |
| City: | | | Province/State: | | Postal Code/Zip: | |
| Phone: () | | | Email Address: | | | |
| Store Type: | | Fire shop | Hardware | Contractor | Other | |
| Purchase Decision: | | Male | Female | Both | | |
| Age: | Under 30 | 30-39 | 40-49 | 50-59 | 60+ | |
| Heard of this product through: | | | | | | |
| | Friend | Brochure | Advertising | Mailing | Store | Internet Other |
| Installation Type: | | | | | | |
| | New home | Renovation | Other | | | |
| Reason for Purchase: | | | | | | |
| Performance | Flame Appeal | Design | Control | Previous owner | Recommendation | Price Other |
| Dealer Name: | | | | | | |
| Address: | | | | | | |
| City: | | | Province/State: | | Postal Code/Zip: | |
| Phone: () | | | | | | |

Cut out page, fill information, and mail to Miles Industries Ltd.

Online Warranty registration at www.valorfireplaces.com



Tape Shut



Fold here



Postage
needed

Miles Industries Ltd.
190 - 2255 Dollarton Highway
North Vancouver, BC V7H 3B1
Canada

Online Warranty registration at www.valorfireplaces.com



Thank you for choosing a Valor Product